

# ULTF-37i

## ULT TECHNICAL SPECIFICATIONS



Products are subject to change due to enhancements and continuous development. Vestfrost Solutions reserve the right to alter any information, without further notice.

### DIMENSIONS

Outer Dimensions HxWxD, mm	631x630x675
Depth incl. door handle	745
Inner Dimensions HxWxD, mm	433x439x271
Weight Gross/Net, kg	70 / 59
Material inner cabinet	Stainless steel
Material outer cabinet	Painted Steel
Packaging weight, kg	11
Packaging dimensions HxWxD, mm	850x800x850
Insulation thickness	80
Insulation type	Polyurethane with Cyclopentane
Mobility	Standard: Adjustable Feet / Option: Casters
Refrigerant, Type / gram	Nature R 2/96gr

### FEATURES

Lock	<input checked="" type="checkbox"/>
LED light	<input checked="" type="checkbox"/>
Battery Backup for Controller, 24h	<input checked="" type="checkbox"/>
Porthole	<input checked="" type="checkbox"/>
Porthole size	20 mm
Dry contact	<input checked="" type="checkbox"/>
Door reversibility	<input type="checkbox"/>
Vacuum valve	<input checked="" type="checkbox"/>
VIP (Vacuum Insulated Panel)	<input checked="" type="checkbox"/>

### STORAGE

Capacity (L)	37
Cryobox "2 capacity	33
2 ml vials capacity	3.300

### ALARMS

High / Low temperature	<input checked="" type="checkbox"/>
Open door	<input checked="" type="checkbox"/>
Power failure	<input checked="" type="checkbox"/>
Probe failure	<input checked="" type="checkbox"/>

### COOLING

Refrigerant	Nature R / 96
Noise	< 48
Voltage	230 V
Frequency	50 Hz
Temperature range	-20 / -86

# ULTF-37i

## ULT TECHNICAL SPECIFICATIONS

<b>Voltage/Frequency</b>	Voltage/Hz	230 V, 50 Hz
<b>Max Ambient</b>	°C	32
<b>Max Humidity</b>	% rh	65
<b>PERFORMANCE</b>		
<b>All data in RT20°C</b>		
<b>Temperature Range</b>	°C	-20 to -86
<b>Uniformity in performance - difference between top and bottom</b>	°C	+/- 2,5
<b>Pull down time</b>	Minutes	84 min. to -75°C
<b>Hold over time</b>	Minutes	N/A
<b>Noise</b>	dB	< 48
<b>Energy Consumption, kWh / 24h</b>	kWh/24h	2,94 kWh/24h Set -80
<b>Energy year</b>	kWh/year	1186,6kWh/y Set -82°C
<b>Instant Power Consumption</b>	kW	PD 0,300/Stable 0,190
<b>Heat Rejection*</b>	W	150
<b>U-Value</b>	W/m <sup>2</sup> K	N/A
<b>COOLING COMPONENTS</b>		
<b>Refrigerant/Amount (gram)</b>		Nature R 2/96gr
<b>Number of compressors</b>	pcs	1
<b>Variable speed compressor</b>	Yes/No	Yes
<b>Internal air distribution (type of)</b>		Static
<b>Evaporator Fan</b>	Yes/No/Variable	No
<b>Condenser Fan</b>	Yes/No/Variable	Yes
<b>Number of probes</b>	pcs	2
<b>Defrost</b>	Yes/No	No
<b>CONTROLLER</b>		
<b>Controller</b>	y/n/optional	yes
<b>Controller type</b>		i-Care touch
<b>USB Connection</b>	y/n	yes
<b>Data connection</b>	USB	yes
<b>Controller abilities</b>		logging of data & alarms
<b>Controller languages</b>		EN, DE, FR
<b>Temperature curve in controller</b>	y/n	yes

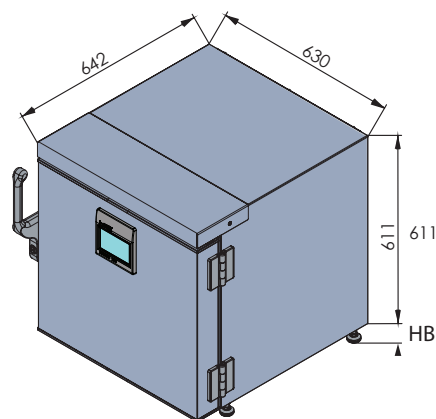
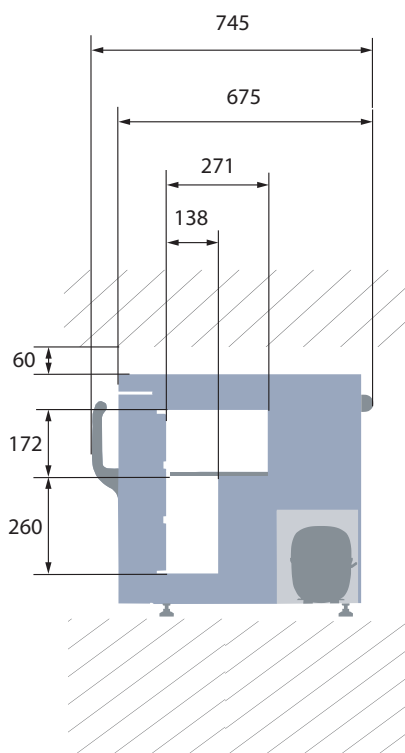
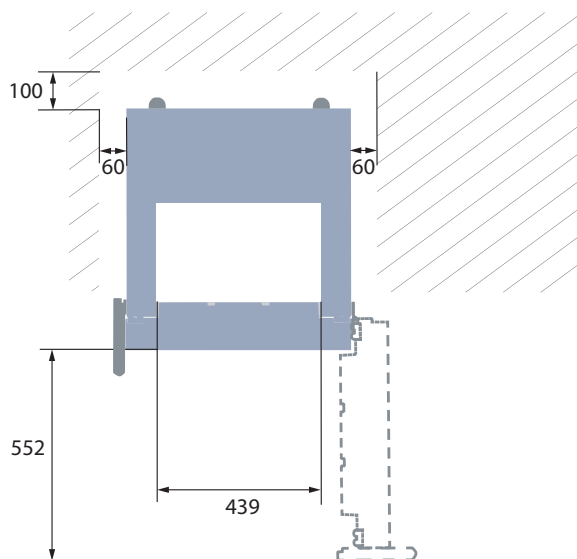
\* Heat Rejection is defined as average power based on energy consumption, rounded up to nearest 50W.

Products are subject to change due to enhancements and continuous development. Vestfrost Solutions reserve the right to alter any information without further notice.

Updated 02/2026

# ULTF-37i

## ULT TECHNICAL SPECIFICATIONS

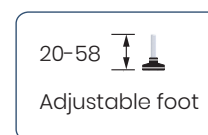
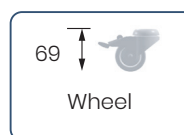


### DIMENSIONS

Height, mm	631
Width, mm	630
Depth, mm	675
Depth incl. handle, mm	745

All measurements in mm.

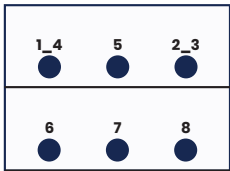
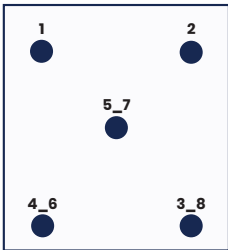
HB: Height of base  
(HB is adjustable when given value is xx-xx)



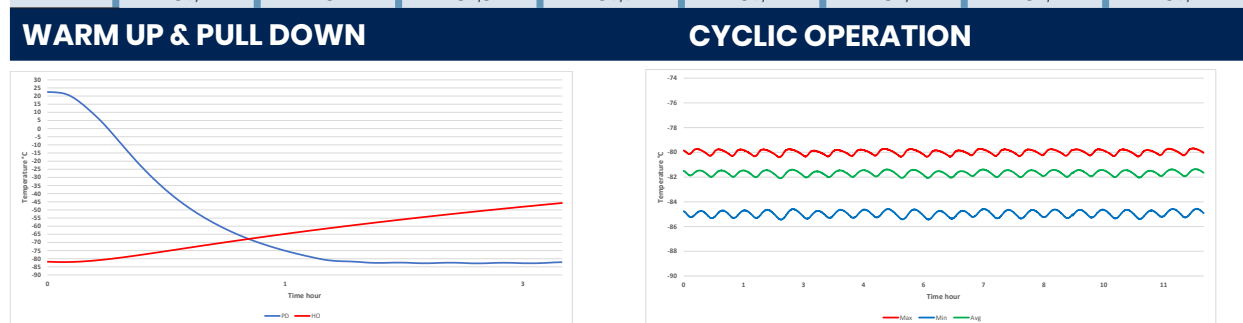
Products are subject to change due to enhancements and continuous development. Vestfrost Solutions reserve the right to alter any information, without further notice.

# ULTF-37i

## ULT TECHNICAL SPECIFICATIONS

SENSOR POSITION		MODEL	ULTF-37i
<p><b>FRONT VIEW</b></p>  <p><b>TOP VIEW</b></p> 		<p><b>Test type</b></p> <p>8-point test</p>	
		<p><b>Test environment</b></p> <p>Controlled conditions, empty cabinet</p>	
		<p><b>Ambient temperature</b></p> <p>20°C</p>	
		<p><b>Humidity</b></p> <p>60%</p>	
		<p><b>Set-point</b></p> <p>-82°C</p>	
		<p><b>Sensor used</b></p> <p>25gr tinned brass formed as a cylinder with a diameter of 15,2 mm</p>	
		<p><b>Installation</b></p> <p>Appliance installed according to instruction manual conditions</p>	
		<p><b>Refrigerant</b></p> <p>Nature R</p>	

SENSOR TEMPERATURE								
Sensor position	P1	P2	P3	P4	P5	P6	P7	P8
Max	-79,7	-80,2	-80,1	-79,9	-80	-83,1	-83,1	-84,6
Avg.	-80	-80,5	-80,4	-80,2	-80,3	-83,5	-83,6	-85
Min.	-80,4	-81	-80,8	-80,5	-80,7	-84,1	-84,1	-85,4



TYPICAL PERFORMANCE IN AMBIENT 20°C – EMPTY CABINET	
Avg. cabinet temperature	-81,7°C
Peak variation from set-point	+/- 2,5°C
Stability in avg.	0,5°C
1 min. door open recovery to -75°C avg. temperature	20 min.
Cycle rate on/off	25,7 / 6,7 min.
Duty cycle	78,7%
Energy consumption - Normal mode	3,25 kWh/day
Energy consumption - Energy saving mode	2,92 kWh/day
Pull down time to -75°C avg. temperature	84 min.
Hold over time from -82°C to -60°C	105 min.
Heat rejection	306 W

Products are subject to change due to enhancements and continuous development. Vestfrost Solutions reserve the right to alter any information without further notice.