



WFG 24

GB Instructions for use
DK Brugsanvisning
SE Brugsanvisning

NO Bruksanvisning
FI Käyttöohjeet

Warning

As the appliance contains a flammable refrigerant, it is essential to ensure that the refrigerant pipes are not damaged.

The quantity and type of the refrigerant used in your appliance is indicated on the rating plate.

Standard EN378 specifies that the room in which you install your appliance must have a volume of 1m³ per 8 g of hydrocarbon refrigerant used in the appliances. This is to avoid the formation of flammable gas/air mixtures in the room where the appliance is located in the event of a leak in the refrigerant circuit.

WARNING:

Keep ventilation openings in the appliance's cabinet or in the built-in structure clear of obstruction.

WARNING:

Do not use other **mechanical devices** or other means to accelerate the defrosting process than those recommended by the manufacturer.

WARNING:

Do not damage the refrigerant system.

WARNING:

Do not use **electrical appliances** inside the refrigerated storage compartment, unless they are of a type recommended by the manufacturer.

WARNING:

Do not expose the appliance to rain.

WARNING:

This appliance may be used by children over the age of 8 years old and by persons with reduced physical, sensory or mental capabilities or by persons with a lack of experience or knowledge if they are supervised or are instructed by a person responsible for their safety how to use the appliance safely and have understood the associated hazards.

WARNING:

Children must not play with, on, or around the appliance.

WARNING:

Children must not clean the appliance or carry out general maintenance unless they are at least 8 years old and are being supervised.

WARNING:

Do not store explosives, such as aerosol cans with flammable propellants in the unit.

WARNING:

Danger risk of fire or explosion if flammable refrigerant are used. To be repaired only by trained personnel.

**WARNING:**

When positioning the appliance, ensure the power cord is not trapped or damaged.

WARNING:

Do not locate multiple portable socket-outlets or portable power supplies at the rear of the appliance.

- Always keep the keys in a separate place and out of reach of children.
- Before servicing or cleaning the appliance, unplug the appliance from the mains or disconnect the electrical power supply.
- If the supply cord is damaged, it must be replaced by the manufacturer, its service agent, or similarly qualified persons in order to avoid a hazard.

- Frost formation on the interior evaporator wall and upper parts is a natural phenomenon. Therefore, the appliance should be defrosted during normal cleaning or maintenance.
- Please note that changes to the appliance construction will cancel all warranty and product liability.
- Do not use extension cords.
- This appliance is intended to be used exclusively for the storage of wine.
- Store wine in sealed bottles;
- Do not overload the wine cooler;
- Do not open the door unless necessary;
- Do not cover shelves with aluminium foil or any other material which may prevent air circulation;
- Should the wine cooler be stored without use for long periods it is suggested, after a careful cleaning, to leave the door ajar to allow air to circulate inside the wine cooler in order to avoid possible formations of condensation, mold or odors.

CLASS 1 LED PRODUCT

Contents

Warning2
Before use4
Technical data.....5
Savings in energy consumption
in the use5
Installation and start-up6
Reversible door9
Operation and function 11
Defrosting, cleaning, and maintenance13
Fault finding14
Warranty, spare parts and service15
Disposal.....16

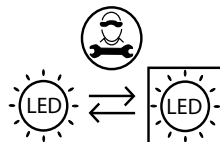
Before use

Before operating your new appliance, please read the following instructions carefully as they contain important information on safety, installation, operation and maintenance. Keep the instructions for future reference. On receipt, check to ensure that the appliance has not been damaged during transport. Transport damage should be reported to the local distributor before the wine cooler is put into use.

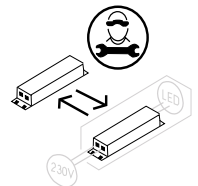
Remove the packaging. Before connecting the cooler to the power source, let it stand upright for approximately 2 hours. This will reduce the of a malfunction in the cooling system due to handling during transportation.

Clean the inside of the cabinet using warm water with a mild detergent. Rinse with clean water and dry thoroughly (see cleaning instructions). Use a soft cloth. If the appliance has been laid down during transport, or if it has been stored in cold surroundings (colder than +5°C), it must stabilise in an upright position for at least 2 hour before being switched on.

Replaceable light source by a professional



Replaceable control gear by a professional



Technical data

Wiring and connections in power supply systems must be all applicable (local and national) electrical codes. Consult these codes lengths and sizes prior to cabinet installation.

This device complies with relevant EU directives including Low Voltage Directive 2014/35/EU and Electromagnetic Compatibility Directive 2014/30/EU

The socket should be freely accessible.

Connect the appliance only to 220/240 V / 50Hz alternating current via a correctly installed earthed socket.

The socket must be fused with a 10-13 A fuse.

If the appliance is to be operated in a non-European country, check on the rating plate whether the indicated voltage and current type correspond to the values of your mains supply.

Information regarding voltage, current or power are given on the rating plate

The power cord may be replaced by a technician only.

The rating plate provides various technical information as well as type and serial number.

Savings in energy consumption in the use

The energy consumption reduces ..

- 1)..the lower the ambient temperature is.
- 2)..the warmer thermostat set point is.
- 3)..the lower the number and the shorter the length of the door openings is.

Installation and start-up

Placement

For safety and operational reasons, the appliance must not be installed outdoors.

The appliance should be placed on a level surface in a dry, well ventilated room (max. 75% relative air humidity). Never place the appliance close to sources of heat such as cookers or radiators, and avoid placing it in direct sunlight.

Installation

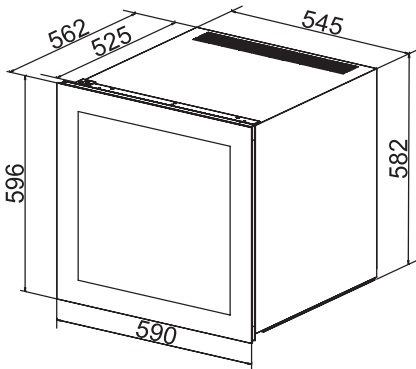
The surface on which the appliance is to be placed must be level.

The appliance can be built into a kitchen element.

Ventilation

It is important that the appliance be well ventilated and that air can circulate unhindered, below it.

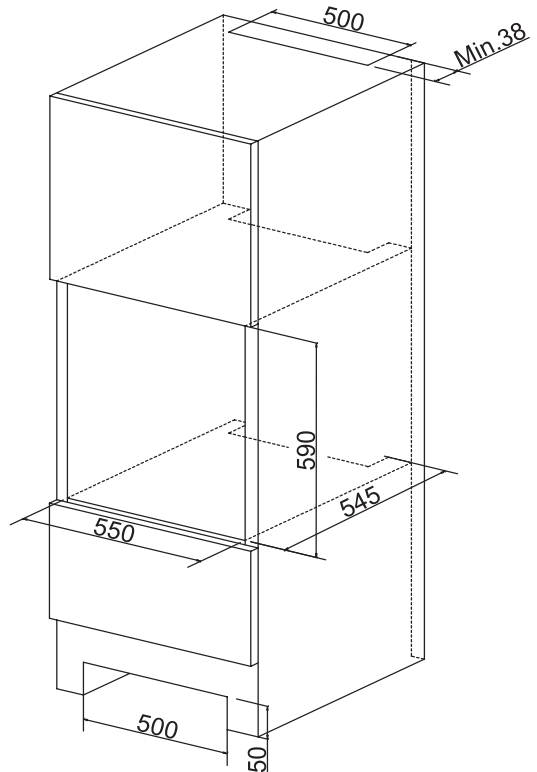
The figures illustrate how the necessary air circulation around the appliance can be ensured.



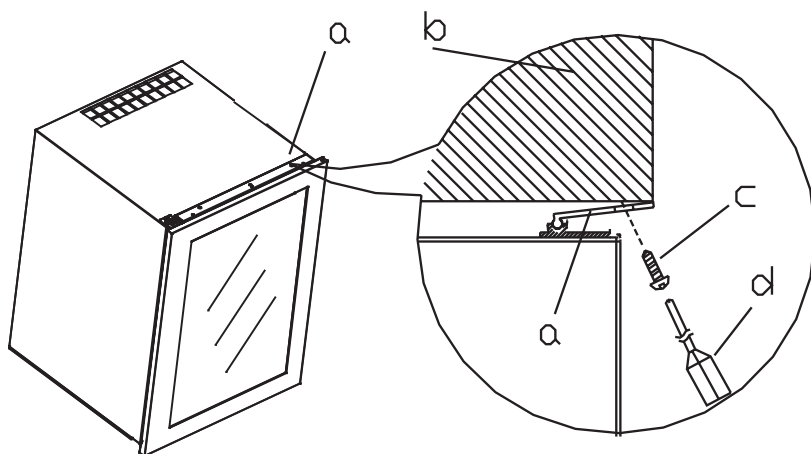
Ambient temperature

The climate class is shared on the nameplate. This specifies the optimum ambient temperature.

Climate class	Optimum room temperature
SN	+10 °C to +32 °C
N	+16 °C to +32 °C
ST	+16 °C to +38 °C
T	+16 °C to +43 °C

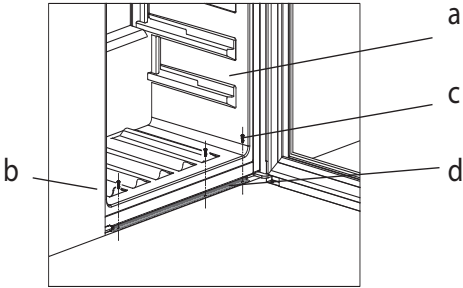


1. The safety bracket (a) must be fixed when the appliance is placed in the built-in cabinet. (b)
2. Fix 3 screws (c) through the safety bracket (a) with a screwdriver (d) and directly in the cabinet (b). The figures on this page shows how.

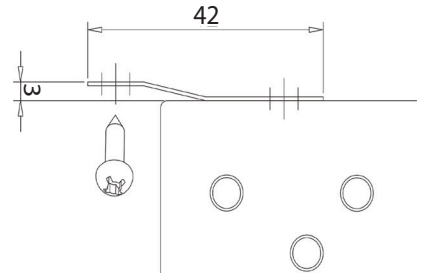
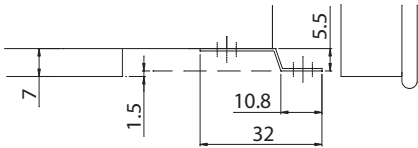
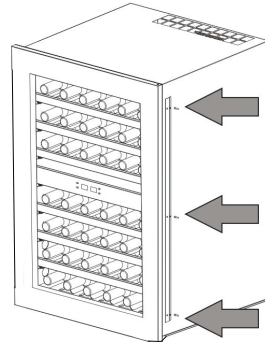


- a. Safety Bracket
- b. Built-in Cabinet
- c. Screw
- d. Screwdriver

How to fix the lower safety bracket



1. Install the wine cooler (a) into cabinet (b) in correct position.



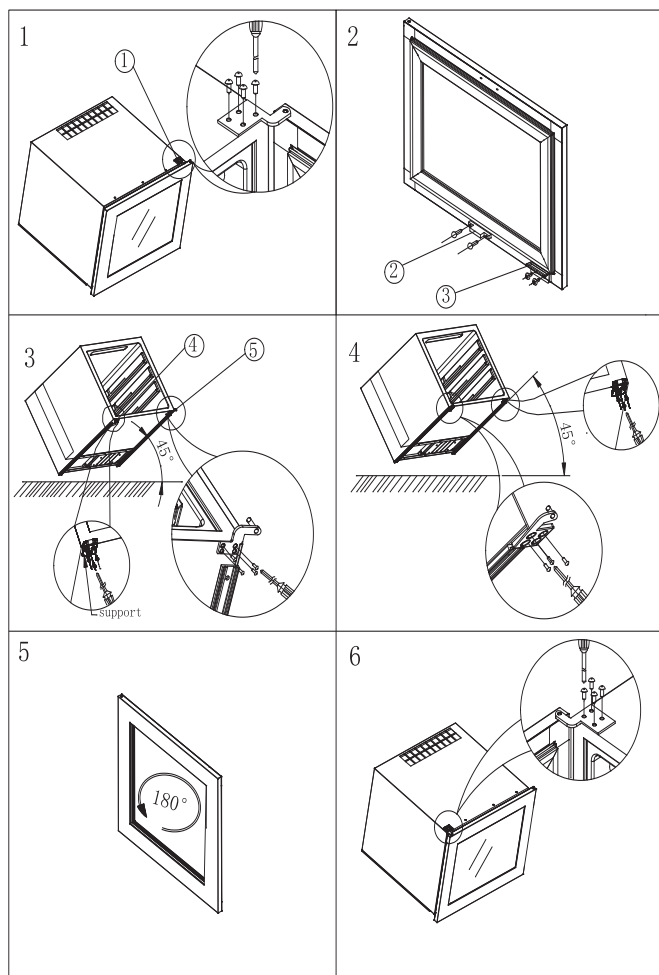
2. Fix the screws (c) through lower safety-bracket with screwdriver.
3. Please see page 9 for how to fix the top safety bracket

Reversible door

The appliance is delivered with left-hinged door, but the door is reversible. Please follow the below instruction to change the hinge side of the door.

(1) Top hinge (2) Door switch (3) Mounting plate (4) Bracket (5) Bottom hinge

Place the appliance on a soft surface (a mat or similar) with a height of approx. 200 mm to support and protect the cabinet. This also allows space for the door to be opened, as the door is larger than the cabinet.



1. Open the door to 90-degree angle. Remove 4 screws and top hinge (1) at the left top of the cabinet, and then remove the door from the cabinet. Place the door on a stable and soft surface (Fig.1);

2. Remove the door switch (2) by unscrewing 2 screws from the bottom central of the door, and then re-install the door switch (2) using 2 screws to the opposite direction, top central of the door (Fig.2);

3. Remove the mounting plate (3) by unscrewing the screws at the bottom right of the door, and then mount the mounting plate using the screws in the opposite direction (top right of the door) (Fig.2);

4. Incline the wine cooler at 45 degrees, remove the screws and the bottom hinge (5) at the bottom right of the cabinet. Remove the screws and the bracket (4) at the bottom left of the cabinet, and then mount the bracket (4) at the bottom right of the cabinet (Fig.3/4);

6. Rotate the door at 180 degrees (Fig.5);

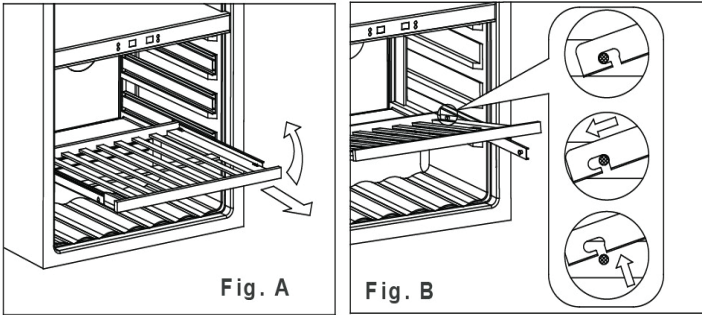
5. Install top hinge (1) at the bottom left of the door (Fig.4);

7. Install the bottom hinge (5) using screws at the top left of the cabinet, align the door with cabinet (Fig.6)

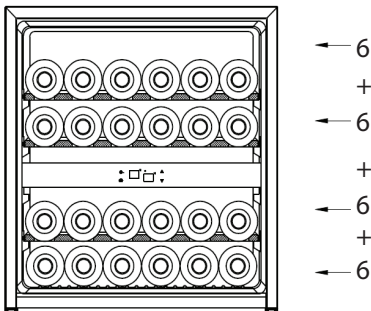
Shelves

In order, not to damage the gasket on the door, it is very important to open the door completely before pulling out the shelves.

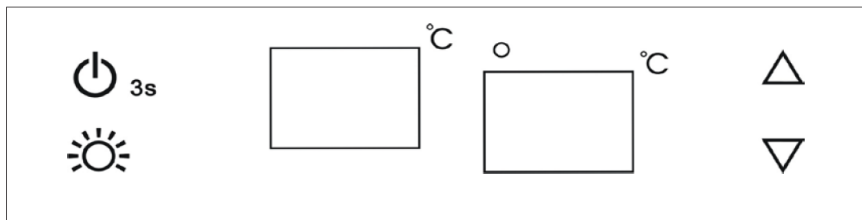
Tilt the shelf slightly, push it back a little and lift it as shown on the drawing to the right.





Max. 24 Bordeaux bottles





Operation and function




 To control the inner light on/off.

 Indicator light illuminates to signify the cooling mode is currently in operation.

 **3s** To control this appliance, turn on/off (press and hold this button for 3 seconds)

 This button controls the upper compartment temperature zone, each push on the button will decrease the temperature in increments of 1°C. The temperature range is between 5°C and 10°C.

 This button controls the lower compartment temperature zone. Each push on the button will decrease the temperature in increments of 1°C. The temperature range is between 10°C and 18°C.

Upper compartment

Display for the set temperature in upper compartment.

Lower compartment

Display for the set temperature in lower compartment.

Flashing indication = Cabinet Temperature.

Steady indication = Set Temperature.

Alarms

If the temperature is higher than 23°C, The "HI" is shown in display, the alarm will sound after one hour and the reason must be controlled. If the temperature is lower than 0°C the "LO" is shown in display, and the buzzer alarm and the malfunction indicator light at the same time.

Door alarm

When the door has been open for more than 5 min. the door alarm is activated.

Power interruption

Most power failures are corrected within a few hours and should not affect the temperature of your appliance if you minimize the number of times the door is opened. If the power is going to be off for a longer period of time, you need to take the proper steps to protect your contents.



LED light

In order to reduce energy consumption, the LED light will automatically switch off when closed the door.

If you want the LED light to remain on continuously, this is possible. Please press and hold the “LIGHT” button for 5 seconds, the display will show “LP”. After 4 seconds the display will revert back to normal and the light will remain on until manually switched off.

If you want to revert and conserve energy (recommended), please press and hold the “LIGHT” button for 5 seconds, the display will show “LF”. After 4 seconds, the display will revert to normal, and the light will automatically switch off after 10 minutes.

(If the wine cooler equipped with the door switch. The light will be on when door open and the light turn off when door closed).

NOTE:

If the unit is unplugged, power lost, or turned off, you must wait 3 to 5 minutes before restarting the unit. If you attempt to restart before this time delay, the Wine cooler will not start.

When you use the wine cooler for the first time or restart the wine cooler after having been shut off for a long time, there could be a few degrees variance between the temperature you select and the one indicated on the LED readout. This is normal and it is due to the length of the activation time. Once the Wine cooler is running for a few hours everything will be back to normal.

Defrosting, cleaning, and maintenance

Automatic defrosting

The wine cooler is defrosted automatically. Defrost water runs through a pipe and is collected in a tray above the compressor where the heat generated by the compressor causes it to evaporate. The defrost water tray should be cleaned at intervals.

Cleaning

Before cleaning the appliance, unplug it from the main supply. The cabinet is best cleaned using warm water (max. 65°C) with a little mild detergent. Never use cleaning agents that scour. Use a soft cloth. Rinse with clean water and dry thoroughly. The defrost water channel, in which condensation from the evaporator runs, is located at the bottom of the rear inside wall of the cabinet and must be kept clean.

Add a few drops of disinfectant, e.g. Rodalon, to the defrost water drain a couple of times a year, and clean the drain using a pipe cleaner or similar. Never use sharp or pointed implements.

The sealing strip around the door must be cleaned regularly to prevent discolouration and prolong service life. Use clean water. After cleaning the sealing strip, check that it continues to provide a tight seal.

Dust collecting on the condenser on the rear of the cabinet, the compressor and in the compressor compartment is best removed using a vacuum cleaner.

Fault finding

Fault	Possible cause	Remedy
The appliance is not running	The appliance is switched off. Power failure; the fuse is blown; the appliance is not plugged in correctly.	Press the on/off switch. Check that power is connected. Reset the fuse.
Water collects in the bottom of the cabinet.	The defrost water pipe is blocked.	Clean the defrost water channel and the drain hole on the rear wall of the cabinet.
Vibration or bothersome noise.	The appliance is not level. The appliance is resting against other kitchen elements. Containers or bottles inside the cabinet are rattling against one another.	Level the appliance using a spirit level. Move the appliance away from the kitchen elements or appliances it is in contact with. Move containers and/or bottles apart.
Compressor runs continuously.	High room temperature.	Ensure adequate ventilation.
Wine cooler is not cold enough.	Check the temperature setting. The door is opened too often. The door is not completely closed. The door gasket does not seal properly.	Set the desired temperature. Keep the door closed for an extended period of time. Close the door. Align the door.

Warranty, spare parts and service

Warranty disclaimer

Faults and damage caused directly or indirectly by incorrect operation, misuse, insufficient maintenance, incorrect building, installation or mains connection. Fire, accident, lightning, voltage variation or other electrical interference, including defective fuses or faults in mains installations.

Repairs performed by others than approved service centres and any other faults and damage that the manufacturer can substantiate are caused by reasons other than manufacturing or material faults are not covered by the warranty.

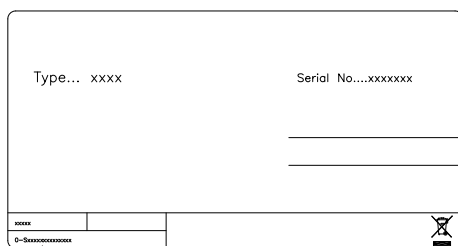
Please note that changes to the construction of the appliance or changes to the component equipment of the appliance will invalidate warranty and product liability, and the appliance cannot be used lawfully. The approval stated on rating plate will also be invalidated.

Transport damage discovered by the buyer is primarily a matter to be settled between the buyer and the distributor, i.e. the distributor must ensure that such complaints are resolved to the buyer's satisfaction.

Before calling for technical assistance, please check whether you are able to rectify the fault yourself. If your request for assistance is unwarranted, e.g. if the appliance has failed as a result of a blown fuse or incorrect operation, you will be charged the costs incurred by your call for technical assistance.

Spare parts

When ordering spare parts, please state the type, serial and product numbers of your appliance. This information is given on the rating plate. The rating plate contains various technical information, including type and serial numbers.



Disposal

Information for Users on Collection and Disposal of Old Equipment and used Batteries



These symbols on the products, packaging, and/or accompanying documents mean that used electrical and electronic products and batteries should not be mixed with general household waste. For proper treatment, recovery and recycling of old products and used batteries, please take them to applicable collection points, in accordance with your national legislation and the Directives 2012/19/EU and 2006/66/EC.

By disposing of these products and batteries correctly, you will help to save valuable resources and prevent any potential negative effects on human health and the environment which could otherwise arise from inappropriate waste handling.

For more information about collection and recycling of old products and batteries, please contact your local municipality, your waste disposal service or the point of sale where you purchased the items.

Penalties may be applicable for incorrect disposal of this waste, in accordance with national legislation.



For business users in the European Union.

If you wish to discard electrical and electronic equipment, please contact your dealer or supplier for further information.

Information on Disposal in other Countries outside the European Union

These symbols are only valid in the European Union. If you wish to discard this product, please contact your local authorities or dealer and ask for the correct method of disposal.

Note for the battery symbol:



This symbol might be used in combination with a chemical symbol. In this case it complies with the requirement set by the Directive for the chemical involved.

Advarsel

Da kølemidlet, som anvendes i apparatet, er en brændbar gasart, er det vigtigt at sikre, at kølekredsløb og rør ikke er beskadigede.

Mængde og type af kølemiddel i apparatet er angivet på typeskiltet.

Standard EN378 angiver, at rummet hvor apparatet installeres skal have en volumen på 1 m³ pr. 8 g kulbrinte kølemiddel, der er brugt i apparatet. Dette er for at undgå dannelse af brandfarlige gas-/luftblandinger i rummet, hvis der skulle opstå en utæthed i kølekredsløbet.

ADVARSEL:

Lad ventilationsåbninger, i apparatets kabinet og i eventuelt indbygningsmodul, være utildækkede.

ADVARSEL:

Anvend ikke mekaniske apparater eller andre hjælpemidler til at fremskynde afrimningsprocessen, udover dem som er anbefalet af fabrikanten.

ADVARSEL:

Undgå at beskadige kølemiddel-systemet

ADVARSEL:

Anvend ikke elektriske apparater inde i apparatet, medmindre de er af en type som er anbefalet af fabrikanten.

ADVARSEL:

Apparatet må ikke udsættes for regn.

ADVARSEL:

Dette apparat kan benyttes af børn fra en alder af 8 år og af personer med reducerede fysiske, sensoriske eller mentale evner eller manglende erfaring eller viden, hvis de er under opsigt af en person, der er ansvarlig for deres sikkerhed, eller hvis de er blevet instrueret i sikker brug af apparatet og har forstået de farer og risici, der kan være forbundet med brugen af apparatet.

ADVARSEL:

Børn må ikke bruge apparatet som legetøj.

ADVARSEL:

Rengøring og vedligeholdelse må ikke udføres af børn, med mindre de er over 8 år gamle og er under opsig.

ADVARSEL:

Opbevar ikke eksplosive stoffer såsom spraydåser med en brændbar drivgas i dette apparat.

**ADVARSEL:**

Fare og risiko for brand eller eksplosion da kølemidlet er brændbart. Apparatet må kun repareres af uddannet personale.

ADVARSEL:

Når apparatet sættes i positionering, sørg for at netledningen ikke er fastklemt eller beskadiget.

ADVARSEL:

Placer ikke forbindelsesbokse, forlængerledninger eller andre strømforstyrrelser på bagsiden af enheden.

- Opbevar altid nøgler et separat sted utilgængeligt for børn.
- Træk stikket ud af stikkontakten før reparation eller rengøring af apparatet.
- Hvis netledningen er beskadiget, skal den udskiftes af producenten, producentens serviceagent eller anden fagmand for at undgå fare.
- Dannelse af rim på den indvendige fordamperplade og de øverste dele er normalt. Apparatet skal derfor afrimes i forbindelse med almindelig rengøring eller vedligeholdelse.
- Vær opmærksom på at ændringer i apparatets konstruktion vil medføre, at al garanti og produktansvar bortfalder.
- Apparatet er udelukkende beregnet til opbevaring af vin.
- Opbevar kun vin i forseglede flasker.
- Overbelast ikke kabinettet.
- Åbn ikke døren medmindre det er nødvendigt.
- Dæk ikke hylder med aluminiumsfolie eller andet hylde materiale, som kan forhindre luftcirkulation.
- Skal vinkøleren ikke anvendes i en længere periode, anbefales det, efter en omhyggelig rengøring, at lade døren stå på klem, så luften kan cirkulere inde i kabinettet, for at undgå mulige formationer af kondens, mug eller lugte.

Indhold

Advarsel.....	2
Inden brug	4
Energispareforslag	5
Tekniske data.....	5
Ibrugtagning og installation.....	6
Vendbar dør.....	9
Betjening og funktion	11
Afrimning, rengøring og vedligeholdelse ..	13
Fejlfindingsliste	14
Reklamation, reservedele og service	15
Bortskaffelse	16

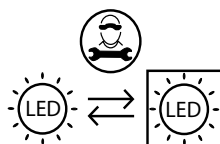
Inden brug

Kontroller at skabet ikke er beskadiget ved modtagelsen. Transportskader skal anmeldes til forhandleren inden køleskabet tages i brug.

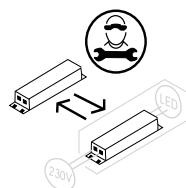
Fjern emballagen. Rengør skabet indvendigt med lunken vand tilsat et mildt opvaskemiddel. Afvask med rent vand og tør grundigt af (se rengøring). Brug en blød klud.

Hvis skabet har ligget ned under transport eller det er blevet opbevaret i kolde omgivelser (koldere end +5 °C) skal apparatet stå op i minimum 2 time inden ibrugtagning.

Lyskilden udskiftes af en professionel



Kontroludstyr udskiftes af en professionel



Energispareforslag

Energiforbruget reduceres ..

- 1) .. jo lavere den omgivende temperatur er.
- 2) .. jo varmere termostatindstillingen er.
- 3) .. jo færre antal gange, døren bliver åbnet og jo kortere tid, døren står åben

Tekniske data

Ledninger og forbindelser til strømforsyningsystemer skal være i overensstemmelse med gældende lokale og nationale standarder og love.

Denne enhed overholder de relevante EU-direktiver, herunder Lavspændingsdirektivet 2014/35/EU - Elektromagnetisk kompatibilitet direktiv 2014/30/EU

Stikket skal være frit tilgængelig.

Tilslut kun apparatet til 220/240 V / 50Hz vekselstrøm via en korrekt installeret stikkontakt med jordforbindelse.

Stikkontakten skal være sikret med en 10A - 13A sikring.

Hvis apparatet skal betjenes i et ikke-europæisk land, tjek på typeskiltet, om anført spænding og strøm svarer til værdierne i din netspænding.

Oplysninger om spænding og effekt / strøm er angivet på typeskiltet.

Netledningen må kun udskiftes af en autoriseret.

Typeskiltet indeholder forskellige tekniske oplysninger, samt type og serienummer.

Ibrugtagning og installation

Placering

Af sikkerhedsmæssige og driftsmæssige grunde må apparatet ikke placeres uden-dørs.

Stil apparatet på et plant, vandret og stabilt underlag i et tørt og godt ventileret rum (max. 75% relativ luftfugtighed).

Anbring ikke apparatet tæt på varmekilder såsom komfur eller radiator og undgå at det udsættes for direkte sollys eller varme fra anden varmekilde.

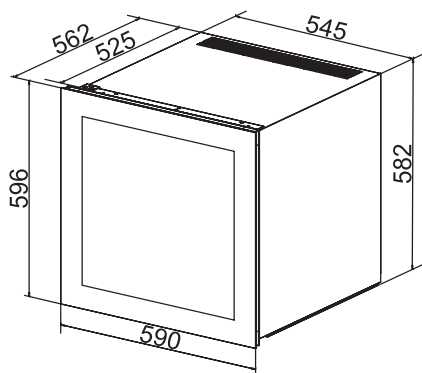
Installation

Underlaget hvorpå skabet opstilles skal være plant.

Skabet kan bygges ind i et køkkenelement.

Ventilation

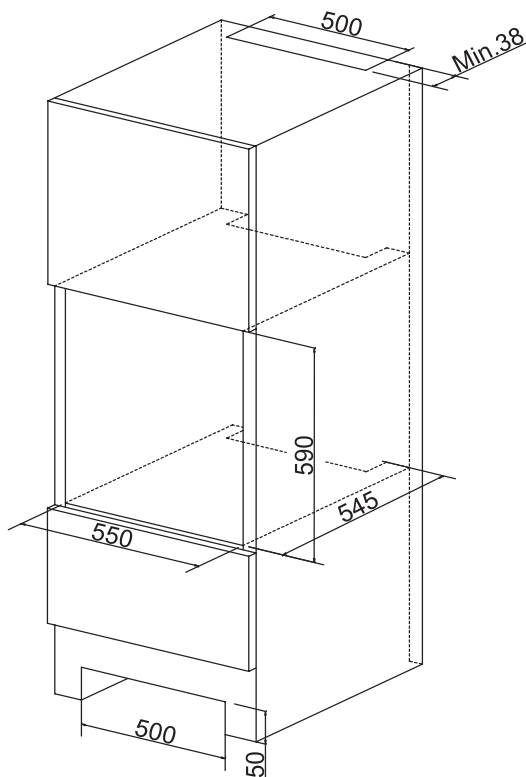
Det er vigtigt, at skabet får tilstrækkelig ventilation og at der er uhindret luftcirkulation under det. Figurene på denne side viser, hvordan du sikrer den nødvendige cirkulation omkring skabet.



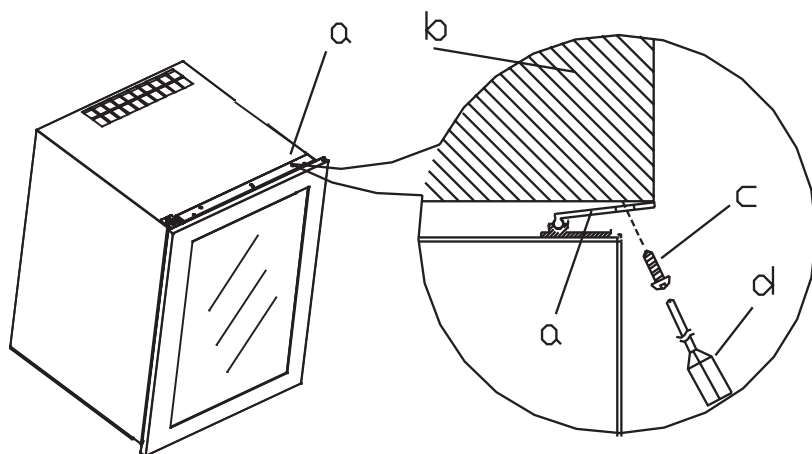
Omgivende temperatur

Klimaklassen står på typeskiltet. Den angiver indenfor hvilke omgivende temperaturer kølekabet kører optimalt.

Klimaklasse	Tilladt rumtemperatur
SN	+10 °C à +32 °C
N	+16 °C à +32 °C
ST	+16 °C à +38 °C
T	+16 °C à +43 °C

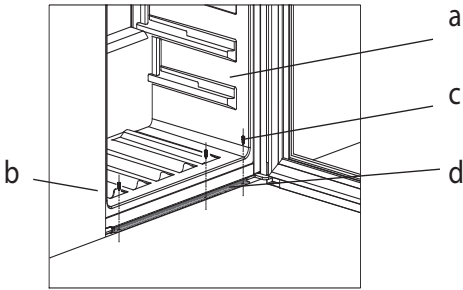


1. Sikringsbeslaget(a) skal skues fast når apparatet er placeret i et indbygningsskab.(b)
2. 3 stk skruer (c), skrues gennem sikringsbeslaget(a) med en skruetrækker (d) og direkte i indbygningsskabet(b), på en fast monteret hylde. Figurene på denne side viser, hvordan.

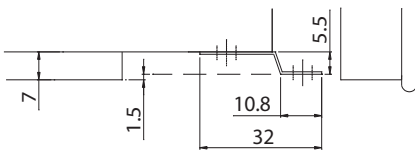
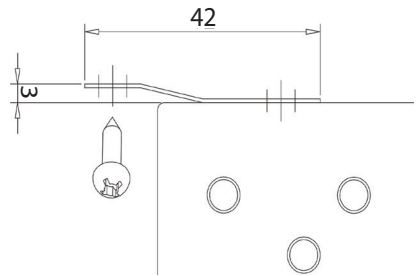
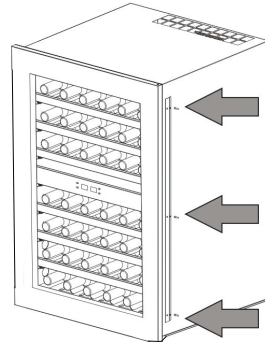


- a. Sikringsbeslag
- b. Indbygningsskab
- c. Skruer
- d. Skruetrækker

Sådan ordnes det nederste sikringsbeslag.



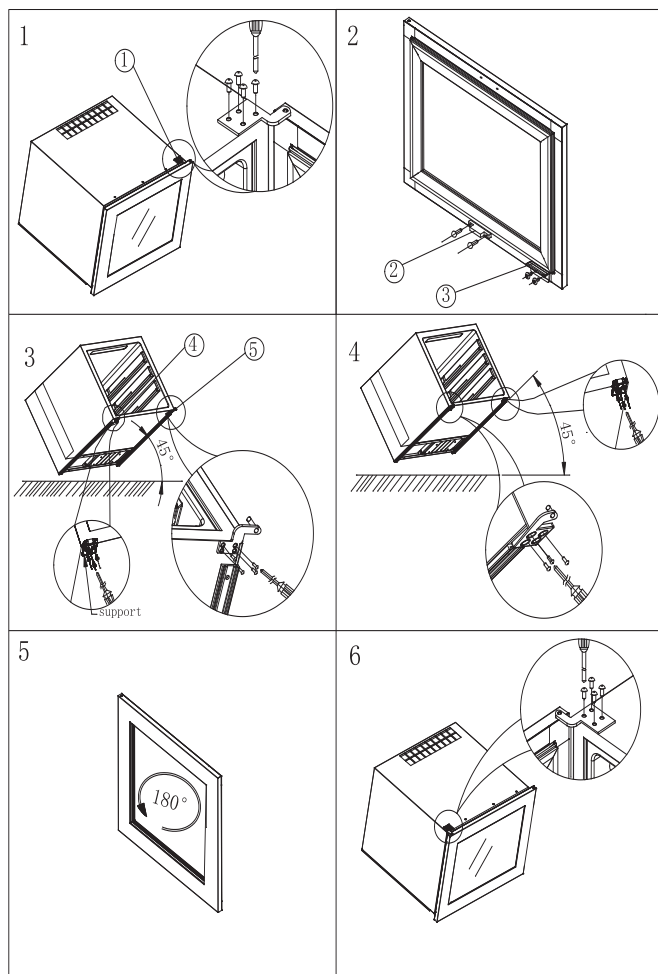
1. Sæt kølerne (a) ind i skabet (b) i rigtig position.
2. Fastgør skruerne (c) gennem det nederste beslag med skruetrækkeren.
3. Se side 9 hvordan man fastgøre det øverste sikringsbeslag.



Vendbar dør

Apparatet leveres med venstrehængslet dør, men døren er vendbar. Følg nedenstående instruktion for at skifte hængselside på døren.

(1) Øverste hængsel (2) Dørkontakt (3) Monteringsplade (4) Beslag (5) Nederste hængsel
Læg apparatet på et blødt underlag (en måtte eller lignende) med en højde på ca. 200 mm for at støtte og beskytte kabinettet. Dette giver også plads til, at døren kan åbnes, da døren er større end kabinettet.



1. Åbn døren i en 90 graders vinkel. Fjern de 4 skruer og det øverste hængsel (1) øverst til venstre på kabinettet, og fjern derefter døren fra kabinettet. Læg døren på et stabilt og blødt underlag (fig.1)
2. Fjern dørkontakten (2) ved at løsne 2 skruer nederst i midten af døren, og geninstaller derefter dørkontakten (2) ved hjælp af 2 skruer i den modsatte retning, øverst i midten af døren (fig. 2);
3. Fjern monteringspladen (3) ved at løsne skruerne nederst til højre på døren, og monter derefter monteringspladen ved hjælp af skruerne i modsatte retning (øverst til højre på døren) (fig.2)
4. Drej vinkøleren 45 grader, fjern skruerne og bundhængslet (5) nederst til højre på kabinettet. Fjern skruerne og beslaget (4) nederst til venstre på kabinettet, og monter derefter beslaget (4) nederst til højre på kabinettet (fig.3 / 4)
5. Monter det øverste hængsel (1) nederst til venstre på døren (fig.4)

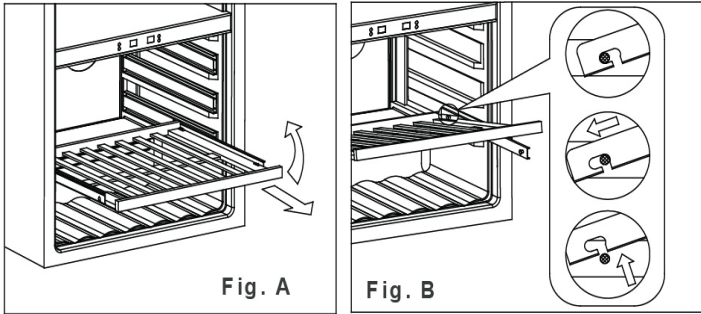
6. Drej døren 180 grader (figur 5);

7. Monter det nederste hængsel (5) ved hjælp af skruer øverst til venstre på kabinettet, og flugt døren med kabinettet (fig.6)

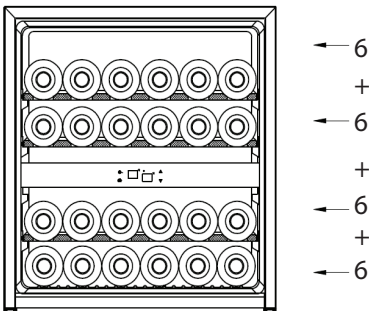
Hylder

For ikke at beskadige tætningslisten på døren, er det meget vigtigt at åbne døren helt op, før hylderne trækkes ud af apparatet.

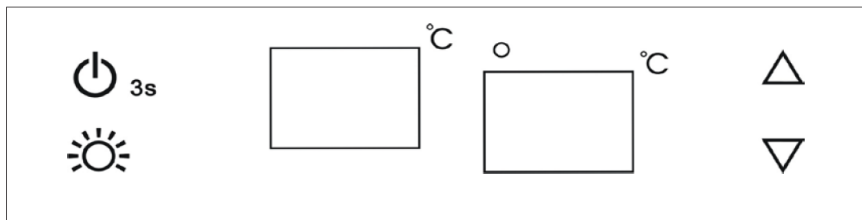
Hylden skal vippes let, skubbes lidt tilbage, så løftes op som vist på tegningen til højre.




Max. 24 Bordeaux flasker





Betjening og funktion

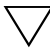


 Kontrollere det indvendige lys -
on / off

 Indikatorlampen indikerer at enheden
er i drift.

 **3s** Kontrol af apparat - tænd / sluk
(tryk og hold knappen inde i ca 3 sekunder)

 Knappen styrer den øverste rum-
temperaturzone. Hvert tryk på knappen
nedsætter temperaturen i trin på 1 ° C.
Når temperaturen når minimum 5°C, det
springer op til maksimum 10°C.

 Knappen styrer den nederste
rumtemperaturzone. Hvert tryk på knap-
pen nedsætter temperaturen i trin på 1°C.
Når temperaturen når minimum 10°C, det
springer op til maksimum 18°C.

Øverst

Viser den indstillet temperatur øverst

Nederst

Viser den indstillet temperatur nederst

Blinker = Køletemperatur.

Steady word = Set Temperature.

Alarmer

Er temperaturen højere end 23°C, vises
"HI" i displayet, alarmen vil lyde efter en
time og årsagen skal kontrolleres. Hvis tem-
peraturen er lavere end 0°C, vises "LO" i
displayet, og buzzer alarmen og indikatoren
får en funktionfejl på samme tid.

Døralarm

Når døren har været åbnet mere end 5
minutter aktiveres døralarmen.

Strømafbrydelse

De fleste strømafbrydelser rettes inden for
få timer og bør ikke påvirke temperaturen
på dit apparat, hvis du minimerer antallet
af gange, døren åbnes. Hvis strømmen vil
være slukket i en længere periode, skal
du tage de rigtige skridt for at beskytte dit
indhold.

LED Lys

For at reducere energiforbruget slukkes LED-lyset automatisk, når døren lukkes.

Det er muligt at have LED-lyset tændt konstant. Hold "LIGHT" knappen nede i 5 sekunder, displayet viser herefter "LP". Efter 4 sekunder vil displayet vende tilbage til normal, og lyset forbliver tændt indtil den igen slukkes manuelt.

Hvis du ønsker at vende tilbage til sparefunktionen, skal du holde "LIGHT" knappen nede i 5 sekunder. Displayet viser herefter "LP". Efter 4 sekunder vil displayet vende tilbage til normal, og lyset slukker automatisk efter 10 minutter.

BEMÆRK: Hvis enheden er frakoblet strømmen, eller slukket, skal du vente 3 til 5 minutter, før enheden genstartes. Hvis du forsøger at genstarte inden denne tidsforsinkelse, starter vinkøleren ikke.

Når du bruger vinkøleren for første gang eller genstarter vinkøleren efter at have været slukket i lang tid, kan der være et par grader varians mellem den valgte temperatur og den, der er angivet i LED-aflæsningen. Dette er normalt, og det skyldes længden på aktiveringstiden. Når vinkøleren kører i et par timer, vil alt være tilbage til det normale

Afrimning, rengøring og vedligeholdelse

Automatisk afrimning af køleskabet

Afrimning af køleskabet sker automatisk, smeltevandet løber gennem et rør ned til tøvandsskålen der sidder oven på kompressoren. Vandet fordamper på grund af varmen fra kompressoren. Tøvandsskålen bør gøres ren engang imellem.

Rengøring

Før rengøring påbegyndes skal stikproppen fjernes fra stikkontakten. Skabet rengøres bedst med en opløsning af lunkent vand tilsat lidt opvaskemiddel (max. 65 °C). Anvend ikke rengøringsmidler der kan ridse. Brug en blød klud. Vask efter med rent vand og tør grundigt af. Tøvandsrenden, hvor kondensvandet fra fordampere løber ned i, sidder i bunden af bagvæggen inde i skabet. Sørg for at den er ren. Brug et desinfektionsmiddel, som f.eks. rodalon, der skal dryppes i tøvandsafløbet et par gange om året. Rens med en piberenser eller lignende.

Brug aldrig skarpe eller spidse genstande. Tætningslisten rundt ved døren kræver jævnlig rengøring for at undgå misfarvning og sikre lang holdbarhed. Brug rent vand.

Efter rengøring af dørens tætningsliste bør du kontrollere om den fortsat slutter tæt.

På rygkondensator, kompressoren og i kompressorrummet fjernes støvet bedst med en støvsuger.

Fejlfindningsliste

Fejl	Mulig årsag	Afhjælpning
Apparatet virker ikke.	Skabet er slukket. Strømsvigt; sikringen er slået fra; netstikket er ikke sat rigtigt i.	Tryk på tænd/sluk knappen. Kontrollér om strømmen er tilsluttet. Sikringen skal være slået til.
Der løber vand i bunden af køleskabet.	Tøvandsafløbsrøret er tilstoppet.	Rens tøvandsrenden og afløbshullet i bagvæggen.
Vibrationer eller generende støj.	Skabet står skævt. Skabet hviler op mod andre køkkenelementer. Beholdere eller flasker berører hinanden i skabet.	Indstil skabet med et vaterpas. Ryk skabet væk fra køkkenelementerne eller apparater, som står umiddelbart op ad skabet. Sørg for afstand mellem flasker og/eller beholdere.
Kompressor kører konstant.	Høj rumtemperatur.	Sørg for god ventilation.
Apparatet er ikke koldt nok.	Tjek temperatur indstillingen. Døren åbnes ofte. Døren er ikke korekt lukket. Tætningslisten slutter ikke tæt.	Indstil ønsket temperatur. Hold døren lukket i længere periode. Luk døren. Juster døren.

Reklamation, reservedele og service

Reklamationsretten

Såfremt der konstateres fejl ved produktet, kan De over for leverandøren gøre brug af reklamationsretten ifølge gældende lovgivning. Producenten skal for egen regning afhjælpe fabrikations- og materialefejl, der konstateres ved apparatets normale brug under forudsætning af, at apparatet er købt som fabriksnyt i Danmark. For Grønland og Færøerne gælder særlige bestemmelser.

Såfremt det skønnes nødvendigt at apparatet indsendes til værksted, sker indsendelse og returnering for producentens regning og risiko.

Der er ikke dækning for fejl eller skader direkte eller indirekte opstået ved fejlbetjening, misbrug, mangelfuld vedligeholdelse, forkert indbygning, opstilling eller tilslutning. Det samme gælder for brand, ulykke, lynnedslag, spændingsvariationer eller andre elektriske forstyrrelser som f.eks. defekte sikringer eller fejl i forsyningsnettets elektriske installationer.

Reparationer udført af andre end de anviste reparatører, og i det hele taget fejl og skader, som leverandøren kan godtgøre skyldes andre årsager end fabrikations- og materialefejl, er ikke omfattet af reklamationsretten.

Vær opmærksom på, at ved indgreb i apparatets opbygning, og ved ændring af apparatets komponentbestykning bortfalder garanti og produktansvar og apparatet kan ikke lovligt anvendes. Godkendelsen anført på Typeskiltet er ligeledes ugyldig.

Transportskader, der konstateres hos forbrugeren, er primært en sag mellem forbruger og forhandler, dvs. forhandler må drage omsorg for, at forbrugeren stilles tilfreds,

inden du tilkalder serviceassistance, bedes du kontrollere de fejlmuligheder, du selv kan afhjælpe. (Se brugsanvisningen)

Såfremt dit krav om afhjælpning er uberettiget, eksempelvis hvis apparatets svigt skyldes en sprunget sikring eller en fejlbetjening, må du selv betale de omkostninger, der er forbundet med at have tilkaldt serviceassistance.

Reservedele

Angiv venligst type- og serienummer samt produktnummer, når du bestiller reservedele.

Disse oplysninger finder du på typeskiltet. Typeskiltet er placeret på bagsiden af apparatet. Typeskiltet indeholder forskellige tekniske oplysninger, samt type- og serienummer. Husk altid at bruge autoriserede håndværkere, hvis der er noget der skal repareres eller udskiftes!

Bortskaffelse

Brugerinformation om indsamling og bortskaffelse af elektriskrot og brugte batterier



Disse symboler på produkter, emballage og/eller ledsagedokumenter betyder, at brugte elektriske og elektroniske produkter og batterier ikke må smides ud som almindeligt husholdningsaffald. Sådanne gamle produkter og batterier skal indleveres til behandling, genvinding resp. recycling i henhold til gældende nationale bestemmelser samt direktiverne 2012/19/EU og 2006/66/EC.

Ved at bortskaffe sådanne produkter og batterier på korrekt vis hjælper du med til at beskytte værdifulde ressourcer og imødegå de negative påvirkninger af det menneskelige helbred og miljøet, som vil kunne være følgen af usagkyndig affaldsbehandling.

Ønsker du mere udførlig information om indsamling og recycling af gamle produkter og batterier, kan du henvende dig til din kommune, deponeringselskabet eller stedet, hvor du har købt produkterne.

Usagkyndig bortskaffelse af elektriskrot og batterier kan eventuelt udløse bødeforlæg.



For kommercielle brugere i Den Europæiske Union

Når du ønsker at kassere elektriske eller elektroniske apparater, bedes du henvende dig til din forhandler eller leverandør for nærmere information.

Information om bortskaffelse i lande uden for Den Europæiske Union

Disse symboler gælder kun inden for Den Europæiske Union. Hvis du ønsker at afhænde dette produkt, skal du rette henvendelse til de lokale myndigheder eller din forhandler. Her kan du få oplysninger om, hvordan du bedst kommer af med produktet.

Information om batterisymbol:



Dette symbol kan optræde sammen med et kemisk symbol. I så fald opfylder det kravene for det direktiv, som er blevet fastlagt for det pågældende kemikalie.

Varning

Eftersom kylmediet, som används i enheten, är en brännbar gastyp är det viktigt att säkerställa att kylkretslopp och rör inte är skadade.

Standard EN378 anger att utrymmet där enheten installeras ska ha en volym på 1 m³ per 8 g kylmedie med kolväte som används i enheten. Detta för att undvika bildandet av brandfarliga gas-/luftblandningar i utrymmet om det skulle uppstå en läcka i kylkretsloppet.

Mängden kylmedie i enheten anges på typskylten.

WARNING:

Skada inte kylkretsen. Under transport och positionering av kylskåpet, undvik skador på kylgaskretsen.

WARNING:

Håll ventilationsöppningarna, i apparatens hölje eller i den inbyggda strukturen, fria från hinder.

WARNING:

Använd inte mekaniska enheter eller andra sätt att påskynda avfrostningsprocessen, än de som rekommenderas av tillverkaren.

WARNING:

Använd inte elektrisk utrustning i kylens matförvaringsdel, om den inte är av den typ som rekommenderas av tillverkaren.

WARNING:

Använd inte elektrisk utrustning i kylens matförvaringsdel, om den inte är av den typ som rekommenderas av tillverkaren.

WARNING:

Ditt kylskåp bör aldrig användas utomhus eller lämnas under regn.

WARNING:

Enheten ska inte användas av människor (inklusive barn) med nedsatt fysisk eller mentala förmågor eller brist på erfarenhet och kunskap, om de inte övervakas eller får instruktioner angående användningen av apparaten av en person som ansvarar för deras säkerhet. Barn bör övervakas så att de inte leker med enheten.

WARNING:

Denna apparat kan användas av barn från 8 år och uppåt och personer med nedsatt fysisk eller mental förmåga eller brist på

erfarenhet och kunskap, om de övervakas eller får instruktioner angående användning av apparaten på ett säkert sätt och förstår faran den innebär. Låt inte barn leka med enheten. Rengöring och användarunderhåll, får inte utföras av barn utan tillsyn.

WARNING:

Barn får inte använda apparaten som leksaker.

WARNING:

Rengöring och underhåll får inte utföras av barn, med mindre är de över 8 år och är under övervakning.

WARNING:

Förvara inga explosiva ämnen såsom erosolburkar med en brandfarlig drivgas i denna apparat.



WARNING:

Fara och risk för brand eller explosion när köldmediet är lättantändligt. Enheten får endast repareras av utbildad personal.

- Använd inte fler-uttag eller förlängningsladd.
- Dra ur stickproppen ur stickkontakten innan reparation eller rengöring av enheten.
- Om uttaget inte matchar kylskåpskontakten, måste den bytas ut av tillverkaren, dess serviceombud eller liknande kvalificerade personer för att undvika fara.
- Om sladden är skadad, måste den bytas ut av tillverkaren, dess serviceombud eller liknande kvalificerade personer för att undvika fara.
- Frostbildning på invändig vaporisatorplåt och övre delar är normalt. Enheten ska därför frostas av i samband med allmän rengöring eller underhåll.
- Vid ändring av enhetens konstruktion upphör samtlig garanti och produktansvaret bortfaller.
- Denna produkt är enbart avsedd att användas för förvaring av vin
- Förvara vin i förslutna flaskor;
- Överbelasta inte vinkylaren;
- Öppna inte dörren såvida det inte är nödvändigt;
- Täck inte hyllorna med aluminiumfolie eller något annat material som kan förhindra luftcirkulation;
- Om vinkylaren förvaras utan användning under en längre period föreslår vi att du efter noggrann rengöring lämnar dörren på glänt så att luft kan cirkulera inuti vinkylaren och därmed bildande av kondens, mögel och lukter undviks.

Innehåll

Varning	2
Före användning.....	4
Tekniska data.....	5
Reducerad energiförbrukning vid användningen	5
Användning och installation.....	6
Vändbar dörr.....	9
Manövrering och funktion	11
Avfrostning, rengöring och underhåll.....	13
Felsökningslista	14
Garanti, reservdelar och service.....	15
Bortskaffning.....	16

Före användning

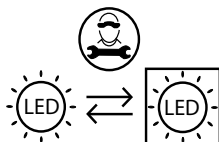
Före användning: Kontrollera att skåpet inte är skadat. Transportskador skall anmälas till återförsäljaren.

Placera kylskåpet på en plats där det inte utsätts för direkt solljus.

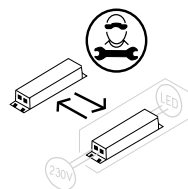
Fjern emballagen. Innan du använder ditt kylskåp, torka av alla delar med varmt vatten och ett mildt rengöringsmedel, och skölj sedan med rent vatten och torka.

När det används för första gången eller efter transport, ställ ditt kylskåp i upprätt läge i min. 1 timmar utan ström. Annars kan du skada kompressorn.

Ljuskälla som kan bytas ut av en specialist



Kontrollanordning som kan bytas ut av en specialist



Tekniska data

Anordningen uppfyller kraven i alla relevanta EU-direktiv, t.ex. lågspänningsdirektivet 2014/35/EU och EMC-direktivet 2014/30/EU

Kablar och anslutningar till strömförsörjningssystem måste följa alla (nationella och lokala) förordningar

Kylskåpet är avsett för anslutning till växel-ström. Anslutningen ska ske till ett fristående uttag.

Anslut apparaten till 220-240 V / 50 Hz växelström via en korrekt installerad jordat uttag. Uttaget måste skyddas med en 10-13 A säkring.

För utrustning som används i icke-europeiska länder, kontrollera typskylten på strömförsörjningen har rätt angiven spänning och strömstyrka

Anslutningsvärdena för spänning (V) och frekvens (Hz) finns angivna på typskylten inne i enheten.

Om sladden är skadad, måste den bytas ut av tillverkaren, dess serviceombud eller liknande kvalificerade personer för att undvika fara.

Reducerad energiförbrukning vid användningen

Energiförbrukningen sjunker:

- 1) Med lägre omgivningstemperatur.
- 2) Med högre börvärdesinställning på termostaten.
- 3) Ju färre gånger man öppnar dörren och ju kortare tid den är öppen.

Användning och installation

Placering

Av säkerhetsmässiga och driftsmässiga skäl får enheten inte placeras utomhus. Ställ enheten på ett plant underlag i ett torrt och väl ventilerat utrymme (max 75% relativ luftfuktighet). Placera inte enheten nära värmekällor så som spisar eller radiatorer och undvik att utsätta den för direkt solljus eller värme från annan värmekälla.

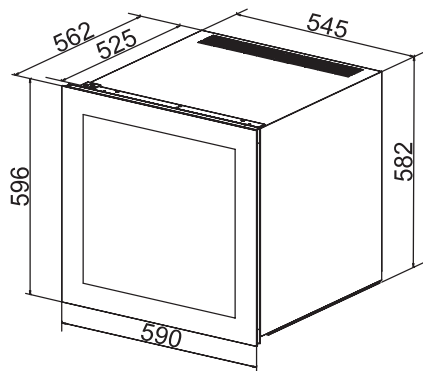
Installation

Underlaget som enheten ska stå på ska vara plant.

Enheten byggas in i ett kökelement.

Ventilation

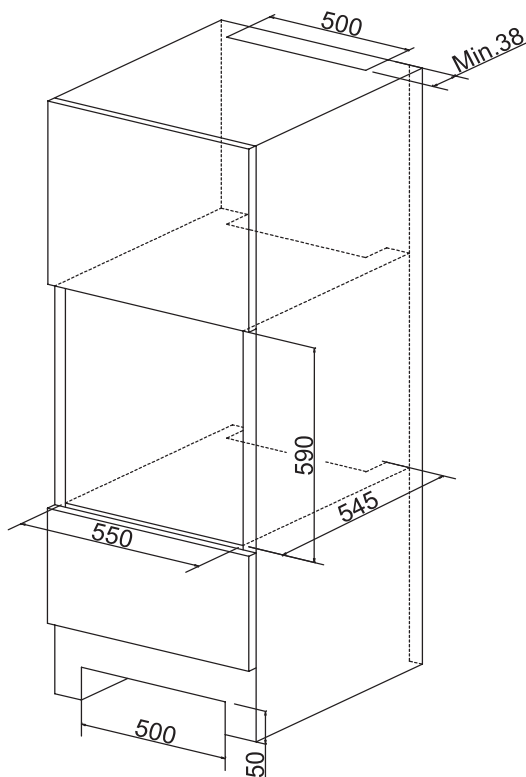
Det är viktigt att enheten får tillräcklig ventilation och att luftcirkulationen över, under och runt enheten sker obehindrat. Figureerna nedan visar hur man säkerställer nödvändig cirkulation runt enheten.



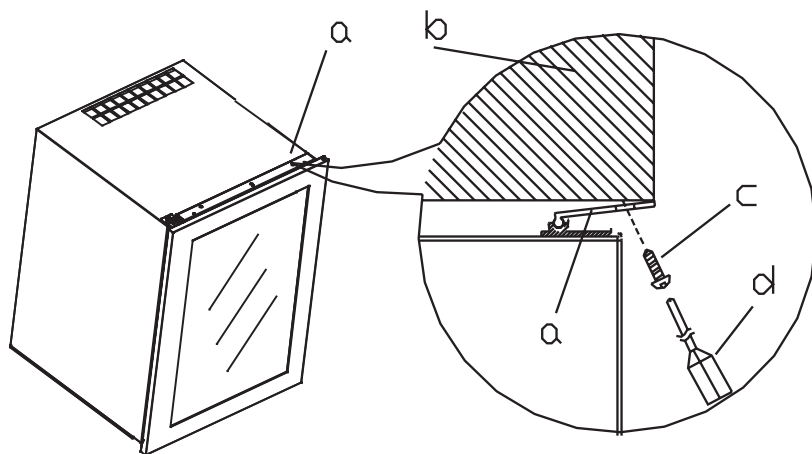
Rumstemperaturen

Klimatklassen står på typskylten. Den anger inom vilka rumstemperaturer enheten fungerar optimalt.

Klimatklass	Tillåten temperatur
SN	+10 °C till +32 °C
N	+16 °C till +32 °C
ST	+16 °C till +38 °C
T	+16 °C till +43 °C

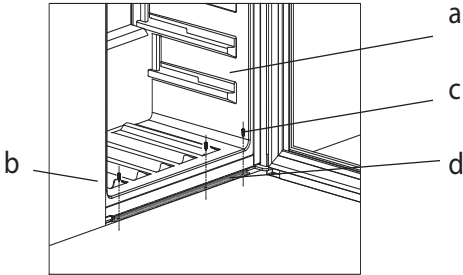


1. Säkerhetsbeslaget (a) måste fästas när apparaten placeras i det inbyggda skåpet. (b)
2. Fäst tre skruvar (c) genom säkerhetsbeslaget (a) med en skruvmejsel (d) och direkt i skåpet (b), figurerna på denna sida visar hur.

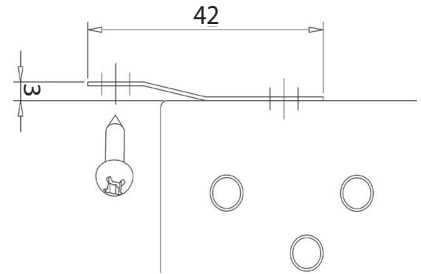
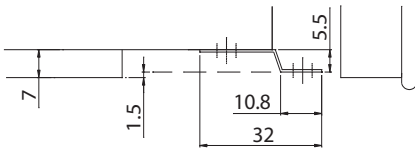
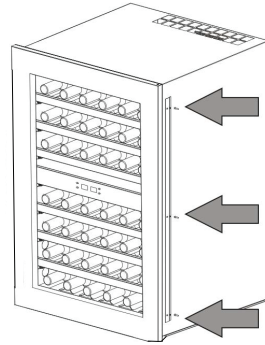


- a. Säkerhetsbeslag
- b. Inbyggt skåp
- c. Skruv
- d. Skruvmejsel

Så här fäster du det nedre säkerhetsbeslaget



1. Montera vinkylaren (a) i skåpet (b) i rätt läge.
2. Fäst skruvarna (c) genom det nedre säkerhetsbeslaget med en skruvmejsel.
3. Se sidan 9 hur du fäster det övre säkerhetsbeslaget

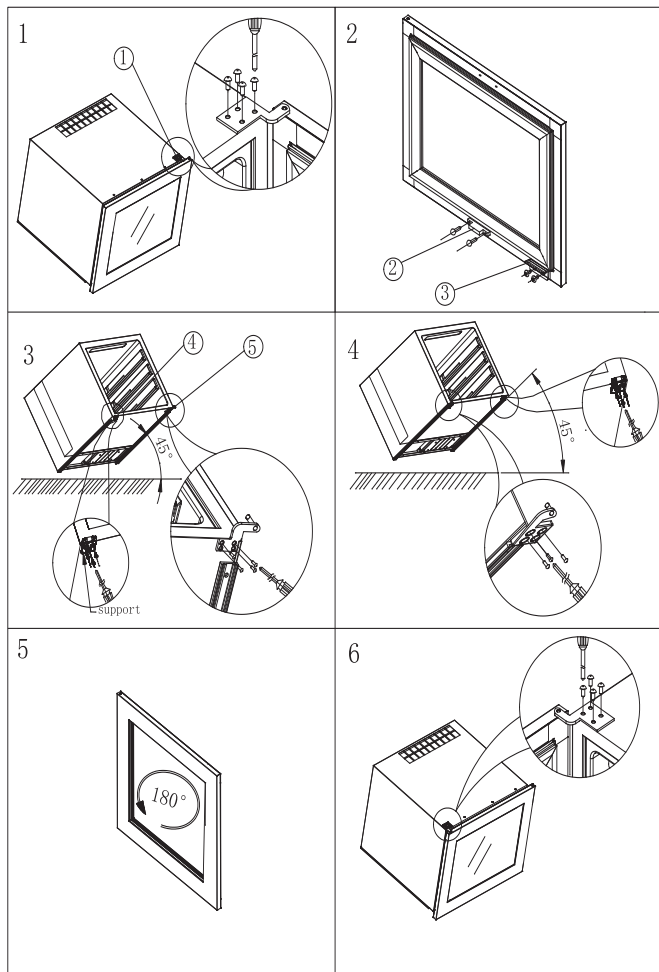


Vändbar dörr

Dörrens öppningsriktning går att ändra, men enheten levereras med högerhängd dörr. Följ instruktionerna nedan för att ändra till vänsterhängd dörr.

(1) Övre gångjärn (2) Ljusbrytare (3) Motplatta (4) Stöd (5) Nedre gångjärn

Flytta enheten och placera skåpet på en matta med cirka 2 dm upphöjning för att ge plats åt dörren, eftersom dörren är större än själva skåpet.



1. Öppna dörren 90 grader. Skruva ur de 4 skruvarna och det övre gångjärnet (1) överst till höger på skåpet. Avlägsna dörren från skåpet och placera den på ett säkert ställe (fig. 1).

2. Avlägsna ljusbrytaren (2) genom att skruva ur de 2 skruvarna från mitten på dörrens nedre kant och skruva sedan fast brytaren (2) med de 2 skruvarna mitt på dörrens överkant (fig. 2).

3. Avlägsna motplattan (3) genom att skruva ur skruvarna från dörrens nedre högerkant och fäst sedan plattan med skruvarna i dörrens övre högerkant (fig. 2).

4. Luta vinkeln 45 grader, skruva ur skruvarna och det nedre gångjärnet (5) nederst till höger på skåpet. Skruva ur skruvarna och stödet (4) nederst till vänster på skåpet och skruva fast stödet (4) nederst till höger på skåpet (fig. 3/4).

6. Roter dörren 180 grader (fig. 5).

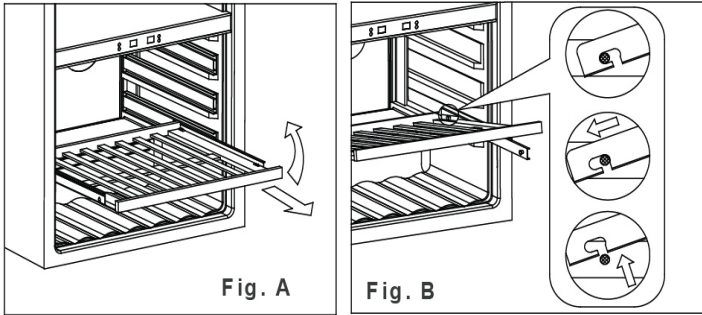
7. Skruva fast det övre gångjärnet (5) med skruvarna överst till vänster på skåpet och rätta upp dörren efter skåpet (fig.

5. Skruva fast det övre gångjärnet (1) nederst till vänster på dörren (fig. 4).

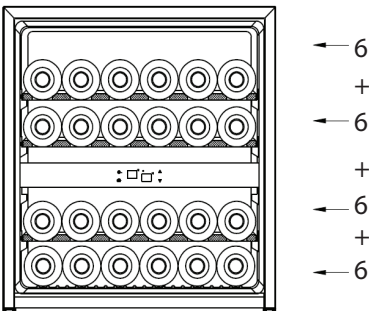
Hyllor

För att inte skada packningen på dörren är det väldigt viktigt att öppna dörren helt innan du drar ut hyllorna.

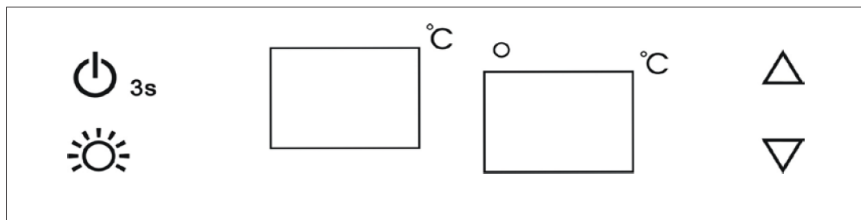
Luta hyllan lätt, tryck den lite bakåt och lyft den som bilden till höger visar.



Max 24 Bordeaux-flaskor



Manövrering och funktion



Sätter på/stänger av innerljuset.



Indikatorlampan tänds för att signalera att kylning pågår.



Sätter på/stänger av enheten (tryck in och håll ned knappen i 3 sekunder)



Den här knappen styr temperaturen i det övre facket. Varje tryck på knappen sänker temperaturen med 1 °C. Temperaturintervallet ligger mellan 5 °C och 10 °C.



Den här knappen styr temperaturen i det nedre facket. Varje tryck på knappen sänker temperaturen med 1 °C. Temperaturintervallet ligger mellan 10 °C och 18 °C.

Övre facket

Display för angiven temperatur i det övre facket.

Nedre facket

Display för angiven temperatur i det nedre facket.

Blinkande ljus = skåpstemperatur

Fast ljus = angiven temperatur

Larm

Om temperaturen är högre än 23 °C visas "HI" på displayen och larmet ljuder efter en timme – orsaken måste kontrolleras. Om temperaturen är lägre än 0 °C visas "LO" på displayen och larmsignalen ljuder samtidigt som felindikatorn tänds.

Dörrlarm

När dörren har varit öppen i mer än 5 minuter aktiveras dörrlarmet.

Strömavbrott

Vid ett strömavbrott kan vinkylaren komma ihåg de tidigare temperaturinställningarna, och när strömmen återkommer återgår kylarens temperatur till samma inställning som innan strömmen försvann.

LED-lampa

För att sänka energiförbrukningen släcks LED-lampan automatiskt när dörren stängs. Om du vill att LED-lampan är på hela tiden är det också möjligt. Håll knappen "LIGHT" intryckt i 5 sekunder – displayen visar då "LP". Efter 4 sekunder återgår displayen till sin normala visning och lampan är tänd tills den släcks manuellt.

Om du vill avbryta detta och spara energi (rekommenderas) ska du hålla knappen "LIGHT" intryckt i 5 sekunder – då visar displayen "LF". Efter 4 sekunder återgår displayen till sin normala visning och lampan släcks automatiskt efter 10 minuter. (Om vinkylaren är utrustad med dörrbrytaren är lampan tänd när dörren är öppen och släckt när dörren är stängd.)

OBS!

Om apparaten kopplas loss från strömmen, om strömmen går eller apparaten stängs av, måste du vänta 3–5 minuter innan du startar om apparaten. Om du försöker starta om den innan denna tid startar den inte.

När du använder vinkylaren för första gången eller startar om vinkylaren efter att den har varit avstängd en längre tid, kan det skilja några grader mellan den temperatur du valt och den som visas på LED-displayen. Detta är normalt och beror på aktiveringstidens längd. När vinkylaren har varit igång i några timmar återgår allt till det normala.

Avfrostning, rengöring och underhåll

Automatisk avfrostning

Avfrostning av enheten sker automatiskt. Tövattnet rinner genom ett rör ned till tövattenskålen som sitter ovanför kompressorn. Vattnet förångas tack vare värmen från kompressorn.

Rengöring

Slå ifrån strömmen med hjälp av till/från knappen när enheten ska rengöras invändigt.

Enheter rengörs bäst med en ljummen tvållösning (max. 65 °C). Använd inte rengöringsmedel som repar. Använd en mjuk duk. Skölj efter med rent vatten och torka ordentligt. Undvik att få in vatten i manöverpanelen.

Tövattensrännan, där kondensvattnet från kondensorn rinner ned i, sitter på bakre väggen inne i enheten. Säkerställ att den är ren. Använd ett desinfektionsmedel som t.ex. klorin utspäddt med vatten, som ska droppas i tövattenavloppet ett par gånger om året. Rensa med piprensare eller dylikt. Använd aldrig skarpa eller spetsiga föremål.

Tätninglisten runt dörren kräver regelbunden rengöring för att undvika missfärgning och för att säkerställa lång hållbarhet. Använd rent vatten. Efter rengöring av dörrens tätninglist bör du kontrollera att den fortfarande sluter tätt.

På kompressorn och i kompressorrummet avlägsnas dammet enklast med dammsugare. Genom att demontera fotpanelen möjliggör man för rengöring under enheten

Felsökningslista

Fel	Möjlig orsak	Lösning
Skåpet fungerar inte.	Skåpet är avstängt. Strömavbrott. Säkringen har gått. Kylen är inte korrekt inkopplad.	Tryck på på/av-knappen. Kontrollera att strömmen är ansluten. Säkringen ska vara påslagen.
Det samlas vatten i botten av kylen.	Avloppsröret är igentäppt.	Rensa avloppsröret och avloppshålet på bakväggen.
Vibrationer och oljud.	Skåpet står snett. Skåpet lutar mot andra element. Behållare eller flaskor rör vid varandra i skåpet.	Ställ in kylen med ett vattenpass. Flytta kylen bort från andra element eller anordningar som står i direkt anslutning till kylen. Kontrollera avståndet mellan flaskor och/eller behållare.
Kompressorn kör konstant.	Hög rumstemperatur.	Kontrollera att ventilationen är bra.
Vinkylaren är inte tillräckligt kall.	Kontrollera temperaturinställningen. Dörren öppnas för ofta. Dörren är inte helt stängd. Dörrens packning tätar inte ordentligt.	Ställ in den önskade temperaturen. Håll dörren stängd en längre tid. Stäng dörren. Justera dörren.

Garanti, reservdelar och service

Garantireklamation

Fel eller skada orsakad direkt eller indirekt av felaktig hantering, missbruk, otillräckligt underhåll, felaktig montering, installation eller anslutning till strömuttag. Eld, olycka, blixtnedslag, strömsvängningar eller annan elektrisk felaktighet inklusive defekta säkringar eller felaktigheter i elnätinstallationen. Reparationer utförda av verkstad som inte är auktoriserad och andra fel eller skador som tillverkaren kan påvisa är orsakade av andra orsaker än tillverkningsfel eller materialbrist täcks inte av denna garanti.

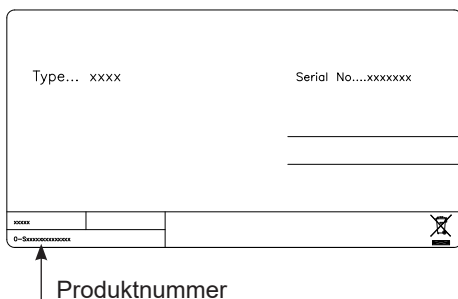
Observera att konstruktions- eller komponentförändringar eliminerar garanti och produktens tillförlitlighet samt att produkten kan ej längre anses laglig i användandet. Godkännandet på typskylt är då inte heller giltigt.

Transportskador upptäckta av köpare ska i första hand avgöras mellan köpare och leverantör, dvs. leverantören måste säkerställa att klagomål löses till köparens tillfredsställelse.

Innan teknisk assistans söks bör man kontrollera om man kan lösa problemet själv (se åtgärd av fel). Om servicehjälp inte täcks av garantin, t.ex. om produkten inte fungerar pga. t.ex. trasig säkring eller felaktig hantering kommer kostnaden för serviceassistenten att debiteras ägaren.

Reservdelar

Vid beställning av reservdelar ska modell, serie- och produktnummer anges för produkten. Denna information kan sökas på typskylten baktill på aggregatet. Typskylten uppger blandad teknisk information inklusive modell och serienummer.



Bortskaffning

Information för användare om hopsamling och avfallshantering av gammalt material och använda batterier



Dessa symboler på produkter, förpackningar och/eller medföljande dokument betyder att man inte ska blanda elektriska och elektroniska produkter eller batterier med vanliga hushållssopor. För att gamla produkter och använda batterier ska hanteras och återvinnas på rätt sätt ska man ta dem till passande uppsamlingsställe i enlighet med nationella bestämmelser och direktiven 2012/19/EU och 2006/66/EC.

När du kasserar dessa produkter och batterier på rätt sätt hjälper du till att spara på värdefulla resurser och förebygga en potentiell negativ inverkan på människors hälsa och på miljön som annars skulle kunna uppstå p.g.a. otillbörlig avfallshantering.

För mer information om uppsamling och återvinning av gamla produkter och batterier, var god kontakta din kommun, din avfallshanterare eller det försäljningsställe där du köpte din artikel.

Olämplig avfallshantering kan beläggas med straff i enlighet med nationella bestämmelser.



För affärsanvändare inom den Europeiska Unionen.

Om du vill kassera elektrisk eller elektronisk utrustning, var god kontakta din återförsäljare eller leverantör för ytterligare information.

Information om avfallshantering i länder utanför den Europeiska unionen

Dessa symboler är endast giltiga inom den Europeiska Unionen. Om du vill kassera denna produkt ska du kontakta de lokala myndigheterna eller din återförsäljare, och fråga om korrekt avyttringsmetod.

Notering till batterisymbolen:



Denna symbol kan användas i kombination med en kemisk symbol. I detta fall iakttar den de krav som ställs upp i direktivet för den aktuella kemikalien.

Advarsel

Siden apparatet inneholder et meget brannfarlig kjølemiddel, er det viktig å sikre at kjølemiddelrørene ikke blir skadet.

Mengden av kjølemiddel i apparatet er angitt på typeskiltet.

Standarden EN378 angir at det rommet som apparatet skal installeres i, må ha et volum på 1 m³ pr. 8 g hydrokarbon-kjølemiddel i apparatet.

Dette er for å unngå dannelse av meget brannfarlige gass/luft-blandinger i rom hvor apparatet er plassert i tilfelle av en lekkasje i kjølemiddelkretsen.

ADVARSEL:

Sørg for at ventilasjonsåpninger i apparatet og innbyggingsmodul ikke er blokkert.

ADVARSEL:

Ikke bruk andre mekaniske redskaper eller metoder for å frem-skynde avriming enn dem som er anbefalt av produsenten.

ADVARSEL:

Kjølemiddelsystemet må ikke skades.

ADVARSEL:

Ikke bruk elektrisk utstyr inne i kjølerommet med mindre de er av en type som er anbefalt av produsenten.

ADVARSEL:

La ikke apparatet bli utsatt for regn.

ADVARSEL:

Dette apparatet skal kun brukes av barn over åtte år og personer med reduserte fysiske, sensoriske eller mentale evner eller manglende erfaringer eller kunnskap, dersom de holdes under oppsyn av en person som er ansvarlig for deres sikkerhet eller de har fått opplæring i sikker bruk av apparatet og har forstått farer som kan oppstå ved bruk.

ADVARSEL:

Barn skal ikke leke med apparatet.

ADVARSEL:

Rengjøring og brukervedlikehold skal ikke utføres av barn, med mindre de er over åtte år og er under oppsyn av voksne.

ADVARSEL:

Fare og risiko for brann eller eksplosjon da kjølemiddelet er brennbart. Må kun repareres av utdannet personale.

**ADVARSEL:**

Oppbevar ikke eksplosive stoffer, slik som sprayflasker med en brennbar drivgass, i dette apparatet.

ADVARSEL:

Når apparatet settes i posisjonering (el. posisjon), sørg for at nettleddningen ikke er fastklemt eller skadet.

ADVARSEL:

Ikke plasser forbindelsesbokser, forlengerledninger eller andre strømforsyninger på baksiden av enheten.

- Oppbevar alltid nøklene et annet sted og utenfor barns rekkevidde.
- Før det utføres service eller renhold av apparatet, må støpslet trekkes ut eller strømmen avbrytes.
- Hvis ledningen er skadet, må den skiftes ut av produsenten, dennes forhandler eller en annen kvalifisert person for å unngå fare for skade.
- Isdannelse på innvendig fordampervegg og øvre deler er naturlig forekommende, og derfor bør apparatet avrimes ved normalt renhold og vedlikehold.
- Vær oppmerksom på at endringer i konstruksjonen til apparatet vil medføre at garanti og produktansvar bortfaller.
- Apparatet er utelukkende beregnet til oppbevaring av vin
- Oppbevar vin i forseglede flasker.
- Ikke overbelast vinkjøleren.
- Ikke lukk opp døren hvis det ikke er nødvendig.
- Ikke dekk hyllene med aluminiumsfolie eller andre materialer som kan forhindre luftsirkulasjon.
- Hvis vinkjøleren skal oppbevares uten bruk i lengre perioder, så anbefales det, etter en forsiktig rengjøring, at døren blir holdt noe åpen slik at luft kan sirkulere inne i vinkjøleren, og dette vil kunne forhindre kondens, mugg og lukt.

CLASS 1 LED PRODUCT

Innhold

Advarsel.....	2
Før bruk.....	4
Energispare forslag	5
Tekniske data.....	5
Start og installasjon	6
Vendbar dør.....	9
Betjening og funksjon	11
Avriming, rengjøring og vedlikehold	13
Feilsøkingliste	14
Garanti, reservedeler og service	15
Kassering.....	16

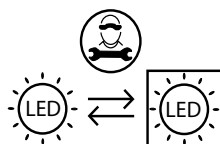
Før bruk

Kontroller at skapet ikke har blitt skadet under transporten. Transportskader skal anmeldes til forhandleren før kjøleskapet tas i bruk.

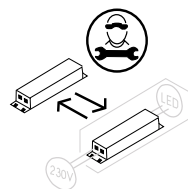
Fjern emballasjen. Rengjør skapet innvendig med lunkent vann tilsatt et mildt oppvaskmiddel. Vask med rent vann og tørk grundig av (se rengjøring). Bruk en myk klut.

Hvis skapet har ligget ned under transport, eller det har blitt lagret i kalde omgivelser (kaldere enn +5 °C), må apparatet stå oppreist i minimum en time innen det tas i bruk.

Lyskilden må byttes av en profesjonell



Styringsutstyret må byttes av en profesjonell



Energispare forslag

Energiforbruket reduseres:

- 1) .. jo lavere romtemperaturen er
- 2) .. jo varmere termostaten er innstillet
- 3) .. jo mindre døren blir åpnet og jo kortere tid den er åpen.

Tekniske data

Dette apparatet er i overensstemmelse med relevante EU-direktiver inkludert Lavspenningsdirektivet 2014/35/EU og Direktivet for Elektromagnetisk kompatibilitet 2014/30/EU

Ledninger og forbindelser til strømforsyningssystemer skal være i overensstemmelse med gjeldende lokale og nasjonale standarder og lover.

Kontakten skal være fritt tilgjengelig.

Apparatet kobles kun til 220/240 v/50Hz vekselstrøm via en korrekt innstallert stikkontakt med jordforbindelse

Stikkkontakten skal være sikret med en 10 – 13A sikring

Dersom apparatet skal betjenes i et ikke-europeisk land, sjekk på typeskiltet, om anført spenning og strøm svarer til verdiene i din nettspenning.

Opplysning om spenning og effekt/strøm er angitt på typeskiltet

Typeskiltet gir forskjellig teknisk informasjon som f.eks. type og serienummer.

Start og installasjon

Plassering

Av sikkerhetsmessige og driftsmessige årsaker må apparatet ikke plasseres uten-dørs.

Sett skapet på et plant underlag i et tørt og godt ventilert rom (maks. 75 % relativ luftfuktighet). Sett ikke skapet tett på varmekilder som komfyr eller radiator og unngå at det utsettes for direkte sollys eller varme fra andre varmekilder.

Installasjon

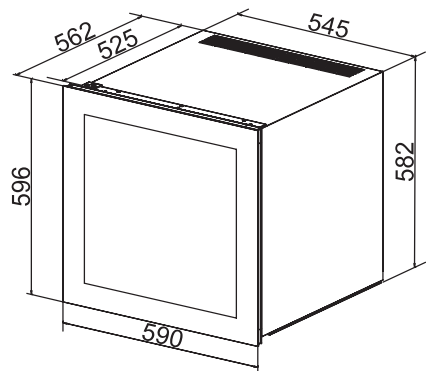
Underlaget som skapet skal stå på, må være plant.

Skapet kan bygges inn i et kjøkkenelement.

Ventilasjon

Det er viktig at kjøleskapet får tilstrekkelig ventilasjon, og at det er god luftsirkulasjon over, under og rundt skapet.

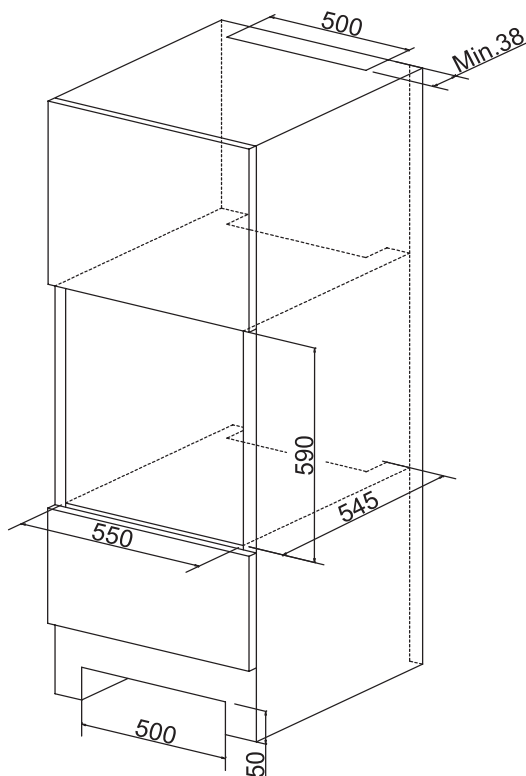
Figurene nedenfor viser hvordan du sikrer at det er den nødvendige sirkulasjon rundt skapet.



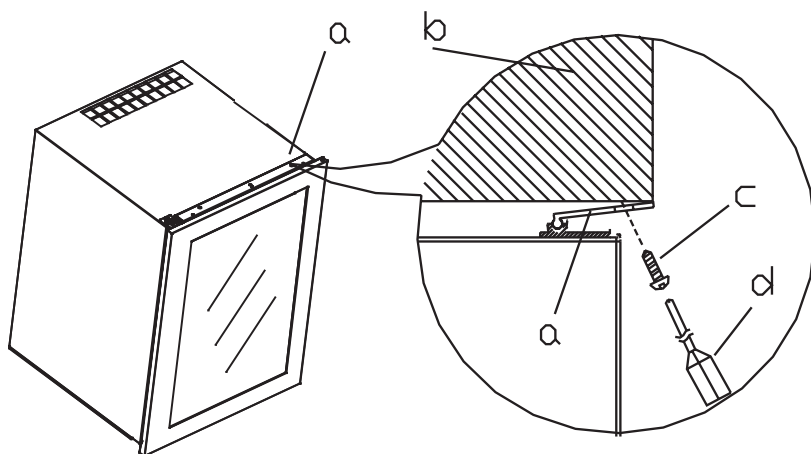
Romtemperaturen

Klimaklassen står på typeskiltet. Den oppgir innenfor hvilke romtemperaturer kjøleskapet virker optimalt.

Klimaatklasse	Toelaatbare omge-vingstemperatuur
SN	+10 °C tot +32 °C
N	+16 °C tot +32 °C
ST	+16 °C tot +38 °C
T	+16 °C tot +43 °C

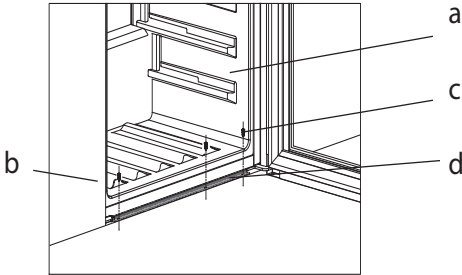


1. Sikkerhetsbraketten (a) må festes der enheten er plassert i innbyggingsskapet. (b)
2. Bruk en skrutrekker (d) og tre skruer (c) til å feste sikkerhetsbraketten (a) til skapet (b). Figurene på denne siden viser hvordan.



- a. Sikkerhetsbrakett
- b. Innbyggingsskap
- c. Skruer
- d. Skrutrekker

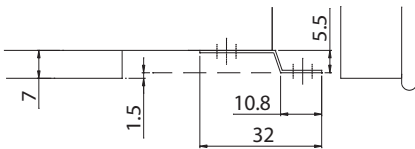
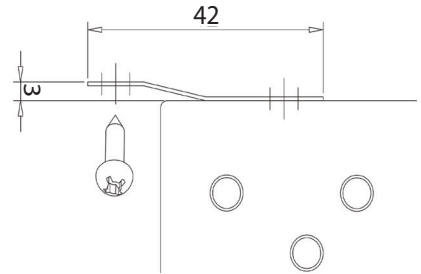
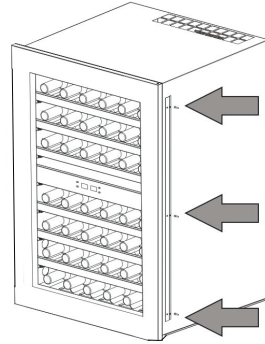
Festing av den nedre sikkerhetsbraketten



1. Monter vinkjøleren (a) i korrekt posisjon i skapet (b).

2. Skru skruene (c) inn i den nedre sikkerhetsbraketten med en skrutrekker.

3. Se side 9 for informasjon om hvordan du kan feste den øvre sikkerhetsbraketten



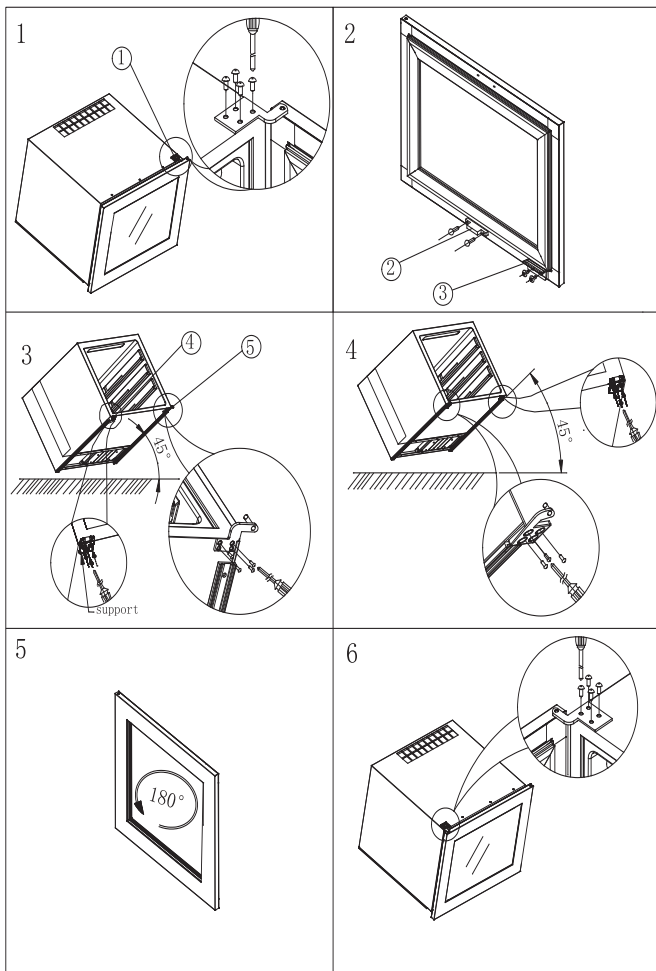
Vendbar dør

Døren på apparatet kan roteres, men i utgangspunkt leveres apparatet med høyrehengslet dør. Følg instruksjonene nede for å gjøre døren venstrehengslet.

(1) Øvre hengsel (2) Dørlysbryter (3) Motplate (4) Støtte (5) Nedre hengsel

Flytt apparatet og sett det på en matre på minst 200 mm høyde for å støtte selve skapet.

Dette er for å gi plass til døren, fordi døren er større enn skapet



1. Åpne døren 90 grader.
Fjern 4 skruer og øvre hengsel (1) øverst til høyre på skapet, ta av døren fra skapet og sett døren et trygt sted (fig. 1);

2. Fjern dørlysbryteren (2) med 2 skruer fra midten av nedre dørkant og monter dørlysbryteren (2) igjen med 2 skruer rett overfor, i midten av øvre dørkant (fig. 2)

3. Fjern motplaten (3) med skruer fra nedre høyre hjørne av døren og monter motplaten med skruer igjen rett overfor (i øvre høyre hjørne av døren) (fig. 2)

4. Skråstill vinkjølleskapet 45 grader, fjern skruene og nedre hengsel (5) nederst til høyre på skapet. Fjern skruene og støtten (4) nederst til venstre på skapet, og monter støtten (4) igjen nederst til høyre på skapet (fig 3/4)

5. Monter øvre hengsel (1) nederst til venstre på skapet. (fig. 4)

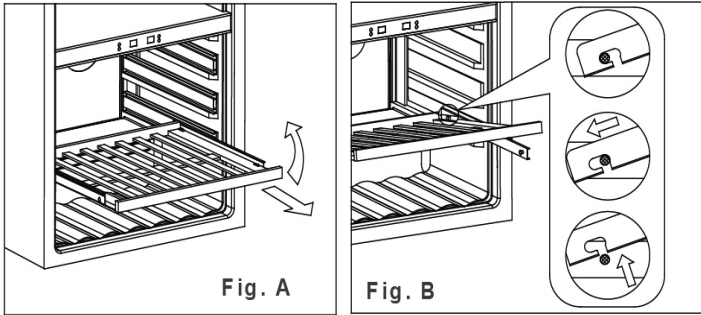
6. Roter døren 180 grader (fig. 5)

7. Monter nedre hengsel (5) med skruene øverst til venstre på skapet, og rett inn døren i forhold til skapet (fig. 6)

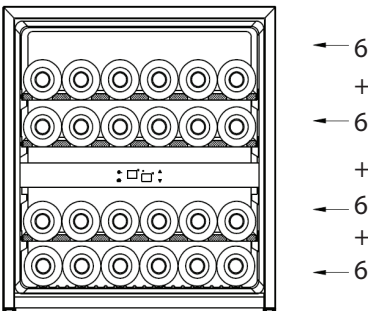
Hyller

For at du ikke skal skade pakningen på døren er det svært viktig at du åpner døren helt før du tar ut hyllene.

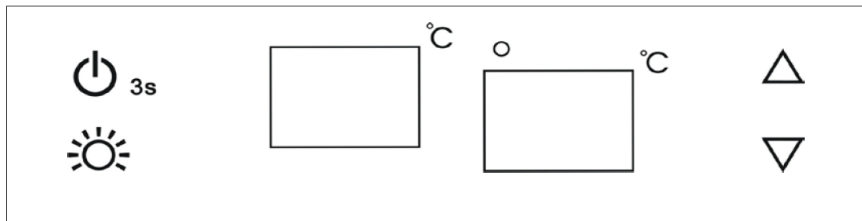
Vipp hylla litt, skyv den litt tilbake og løft den som vist på tegningen til høyre.



Maks 24 bordeaux-flasker



Betjening og funksjon



Brukes til å slå lyset i skapet på/av.



Varsellampen lyser for å indikere at kjølemodus er i drift.



3s For å styre apparatet, slå av/ på (trykk og hold inne denne knappen i 3 sekunder)



Denne knappen styrer temperaturen i øvre kammer, hvert trykk på knappen vil redusere temperaturen i trinn på 1 °C. Temperaturområdet er mellom 5 °C og 10 °C.



Denne knappen styrer temperatursonen i nedre kammer. Hvert trykk på knappen vil redusere temperaturen i trinn på 1 °C. Temperaturområdet er mellom 10 °C og 18 °C.

Øvre kammer

Display for innstilt temperatur i øvre kammer.

Nedre kammer

Display for innstilt temperatur i nedre kammer.

Blinkende indikering = temperatur i skapet
Stabil indikering = innstilt temperatur

Alarmer

Hvis temperaturen er høyere enn 23 °C, vis "HI" vises i displayet og alarmen vil kunne høres etter en time. Da må årsaken finnes. Hvis temperaturen er lavere enn 0 °C vises "LO" på displayet og busseren og feilindikatoren slås på samtidig.

Døralarm

Når døren har vært åpen i mer enn fem sekunder aktiveres døralarmen.

Strømbrudd

Hvis det oppstår et strømbrudd kan kjøleren huske forrige temperaturinnstilling, slik at når strømmen kommer tilbake igjen vil kjøletemperaturen gå tilbake til samme innstilling som før strømmen gikk.

LED-lys

For å spare strøm vil LED-lyset slå seg av automatisk når døren lukkes.

Hvis du ønsker at LED-lyset skal lyse hele tiden er dette mulig. Trykk og hold "LIGHT"-knappen inntrykt i fem sekunder, slik at det vises "LP" på displayet. Etter fire sekunder vil displayet vise normalt bilde, men lyset vil være på til det slukkes manuelt.

Hvis du ønsker å endre dette igjen for å spare strøm (anbefalt), må du trykke "LIGHT" igjen i fem sekunder, helt til displayet viser "LF". Etter fire sekunder vil displayet vise normalt bilde, men lyset vil slå seg av automatisk etter 10 minutter (Hvis vinkjøleren er utstyrt med en dørbryter. Da vil lyset tennes når døren åpnes, og slukkes igjen når døren lukkes).

MERK:

Hvis enheten blir koblet fra strømmettet, det oppstår et strømbrydd eller enheten slås av, da må du vente i tre til fem minutter før du slår på enheten igjen. Hvis du prøver å slå den på før dette vil vinkjøleren ikke starte.

Når du tar i bruk vinkjøleren for første gang, eller starter den igjen etter at den har vært avslått i lengre tid kan det hende at det er noen graders avvik mellom den temperaturen du velger og den som angis på LED-avlesningen. Dette er normalt og skyldes lengden på aktiveringstiden. Når vinkjøleren har vært på i et par timer vil alt være normalt igjen.

Avriming, rengjøring og vedlikehold

Automatisk avriming av kjøleskapet

Avriming av kjøleskapet foregår automatisk, smeltevannet renner gjennom et rør ned til smeltevannsskålen som sitter på toppen av kompressoren. Vannet fordamper på grunn av varmen fra kompressoren. Smeltevannsskålen bør gjøres ren engang imellom.

Rengjøring

Slukk strømmen på PÅ/AV-knappen når skapet skal rengjøres innvendig. Skapet rengjøres best med en oppløsning av lun- kent vann tilsatt litt oppvaskmiddel (maks. 65 °C). Bruk ikke rengjøringsmidler som kan ripe. Bruk en myk klut. Vask med rent vann og turr grundig av. Smeltevannsav- løpet, der kondensvannet fra fordampere renner ned, sitter i bunnen av bakveggen inne i skapet. Sørg for at det er rent. Bruk et desinfeksjonsmiddel, som f.eks. Rodalon, som skal dryppes i smeltevannsavløpet et par ganger om året. Rens med en piper- enser eller lignende. Bruk aldri skarpe eller spisse gjenstander.

Tetningslisten omkring døren krever jevnlig rengjøring for å unngå misfarging og sikre lang levetid. Bruk rent vann. Etter rengjø- ring av dørens tetningslist bør du kontrollere om den fortsatt er tettsluttende.

På kondensatoren, kompressoren og i kompressorrommet fjernes støvet best med en støvsuger.

Feilsøkingsliste

Feil	Mulig årsak	Løsning
Skapet er "dødt"!	Skapet er slukket. Strømsavbrudd; sikringen er slått ut; støpslet er ikke satt riktig i.	Trykk på PÅ/AV-knappen. Kontroller om strømmen er tilkoblet. Sikringen skal være slått på.
Det renner vann i bunnen av kjøleskapet.	Smeltevannsavløpsrøret er tett.	Rens smeltevannsavløpet og avløpshullet i bakveggen.
Vibrasjoner eller sjenerende støy.	Skapet står skjevt. Skapet hviler mot andre kjøkkenelementer. Beholdere eller flasker berører hverandre i skapet.	Innstill skapet med et vater. Trekk skapet vekk fra kjøkkenelementer eller apparater som står umiddelbart opp langs skapet. Sørg for avstand mellom flasker og/eller beholdere.
Kompressoren går konstant.	Høy romtemperatur.	Sørg for god ventilasjon.
Vinkjøleren er ikke kald nok	Kontroller temperaturinnstillingen. Døren er for ofte åpen. Døren er ikke helt lukket. Dørpakningen er ikke tett nok.	Angi ønsket temperatur. Hold døren lukket i en lengre tidsperiode. Lukk døren. Juster døren.

Garanti, reservedeler og service

Bortfall av garanti.

Feil og skade forårsaket direkte eller indirekte av feilaktig bruk, misbruk, mangelfullt vedlikehold, uriktig innbygning, installasjon eller strømtilkobling. Brann, ulykke, lynnedslag, spenningsvariasjon eller andre elektrisk forstyrrelse, inkludert defekt sikring eller feil i de elektriske installasjonene er ikke dekket av denne garantien.

Reparasjoner utført av andre enn godkjente serviceverksteder og enhver annen feil eller skade som produsenten kan påvise er forårsaket av annet enn fabrikkasjons- eller materialfeil er ikke dekket av denne garantien.

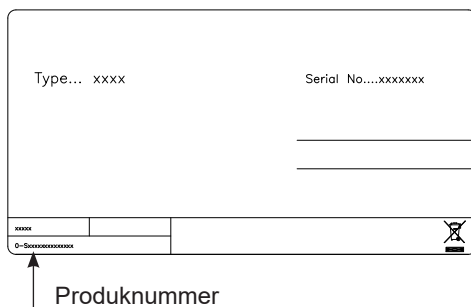
Legg merke til at endringer i konstruksjonen av apparatet eller endringer av komponenter i apparatet vil medføre bortfall av garanti og produktansvar, og utstyret vil ikke lenger være tillatt å bruke. Godkjenningen på typeskiltet vil også være ugyldig.

Transportskade oppdaget av kjøper er primært et forhold mellom kjøper og forhandler, dvs. forhandleren må sikre at slike klager blir løst til kjøperens tilfredshet.

Før du kontakter service, bes du undersøke om du selv kan utbedre feilen. Hvis anmodning om assistanse ikke er dekket av garantien, f.eks. hvis feilen skyldes at sikringen er gått eller feilaktig bruk, vil du bli belastet de utgiftene som din henvendelse til service har utløst.

Reservedele

Ved bestilling av reservedeler, vennligst opplys type, serie- og produktnummer for apparatet. Denne informasjonen finnes på typeskiltet. Typeskiltet inneholder forskjellig teknisk informasjon, inkludert type- og serienummer.



Kassering

Brukerinformasjon om innsamling og håndtering av gammelt utstyr og brukte batterier.



Slike symboler på produkter, emballasje, og/eller på medfølgende dokumenter betyr at brukte elektriske/elektroniske produkter og batterier ikke må blandes med vanlig husholdningsavfall. For riktig håndtering og gjenvinning av gamle produkter og brukte batterier, vennligst lever dem til anvendelige innsamlingssteder, i samsvar med nasjonal lovgivning og direktivene 2012/19/EU og 2006/66/EC.

Ved riktig håndtering av disse produktene og batteriene, hjelper du til med å spare verdifulle ressurser og forhindre potensielle negative effekter på menneskers helse og miljøet, som ellers kan oppstå ved uriktig avfallshåndtering.

For mer informasjon om innsamling og gjenvinning av gamle produkter og batterier, vennligst ta kontakt med kommunen, ditt renovasjonsselskap eller stedet der du kjøpte gjenstandene.

Ukorrekt håndtering av dette avfallet kan medføre straffansvar, i overensstemmelse med nasjonal lovgivning.



For forretningsdrivende brukere i EU.

Dersom du ønsker å kaste elektrisk og elektronisk utstyr, vennligst ta kontakt med din forhandler eller leverandør for videre informasjon.

Informasjon om håndtering i land utenfor EU

Disse symbolene gjelder bare innenfor EU. Hvis du ønsker å kassere dette produktet, må du ta kontakt med forhandleren eller de lokalemyndigheter og spørre dem om hvordan det skal kasseres på riktig måte.

Merknader for batterisymbol:



Dette symbolet kan bli brukt i kombinasjon med et kjemisk symbol. I dette tilfellet etterkommer det kravet satt av direktivet for det kjemikaliet det gjelder.

VAROITUS

Jos laite sisältää hiilivetykylmäainetta, katso alla luetellut ohjeet.

Koska laite sisältää syttyvää kylmäainetta, on tärkeää varmistaa, että kylmäaineputket ovat ehjät.

Standardin EN378 mukaan laitteen asennustilan tilavuuden pitää olla vähintään $1\text{m}^3 / 8\text{g}$ laitteessa käytettyä hiilivetykylmäainetta. Tällä vältetään syttyvän kaasu/ilmaseoksen syntyminen asennustilaan kylmäainepiirin vuodon yhteydessä. Laitteessa käytetyn kylmäaineen määrä on ilmoitettu laitteen tyypikilvessä.

VAROITUS:

Pidä laitteen kotelon tai asennuskaapin tuuletusaukot puhtaina.

VAROITUS:

Älä yritä nopeuttaa sulatusta mekaanisia laitteilla tai muilla keinoilla, joita valmistaja ei ole suositellut.

VAROITUS:

Varo vaurioittamasta kylmäainepiiriä.

VAROITUS:

Älä käytä laitteen kylmätilassa mitään sähkölaitteita, joita valmistaja ei ole suositellut.

VAROITUS:

Älä altista tätä laitetta sateelle.

VAROITUS:

Tämä tuotetta eivät saa käyttää lapset tai toimintarajoitteiset henkilöt, ellei heidän turvallisuudestaan vastaava henkilö ole antanut heille ohjausta tai opastusta laitteen käytöstä. Varmista, etteivät lapset leiki laitteella.

VAROITUS:

Tätä laitetta voivat käyttää 8-vuotiaat lapset ja henkilöt, joiden fyysiset, aisteihin liittyvät tai henkiset kyvyt ovat rajoittuneet tai joilla ei ole riittävästi kokemusta tai tietoa laitteen käytöstä, mikäli he ovat turvallisuudesta vastaavan henkilön valvonnassa tai heidät on perehdytetty laitteen turvalliseen käyttöön ja he ovat ymmärtäneet laitteen käyttöön liittyvät vaarat ja riskit.

VAROITUS:

Älä anna lasten leikkiä laitteella.

VAROITUS:

Lapset saavat puhdistaa ja huoltaa laitetta vain, jos he ovat yli 8-vuotiaita ja toimivat aikuisen valvonnassa.

VAROITUS:

Sisällä tämä laite et saa säilytä räjähtäviä aineita kuten aerosolipurkkien kanssa syttyvää polttoainetta käyttävät.

**VAROITUS:**

Tulipalo- ja räjähdysvaaran. Syttyvää kylmäainetta. Korjata vain koulutettu henkilöstö.

VAROITUS:

Kun asetat laitteen paikoilleen, varmista, ettei virtajohto ole juuttunut kiinni tai vahingoittunut.

VAROITUS:

Älä aseta laitteen taakse kytkentärasioita, jatkojohtoja tai muita virtalähteitä.

- Pidä avaimet erillään laitteesta ja poissa lasten ulottuvilta.
- Ennen kuin huollat tai puhdistat laitteen, irrota laite pistorasiasta tai katkaise virransyöttö.
- Vaurioituneen virtajohtoon saa vaihtaa vain valmistaja, valtuutettu huoltoliike tai vastaavan pätevyyden omaava henkilö.
- Huurteen muodostuminen sisäpuolen höyrystinsinän pinnalle ja yläosiin on täysin normaalia. Näin ollen laite tulisi sulattaa normaalin puhdistuksen tai huollon aikana.
- Huomaa, että laitteen rakenteeseen tehdyt muutokset aiheuttavat kaikkien takuiden ja tuotevastuiden raukeamisen.
- Laite on tarkoitettu säilytykseen viiniä.
- Säilytä viiniä suljetuissa pulloissa;
- Älä koskaan ylikuormita viinikaappia;
- Älä avaa ovea tarpeettomasti;
- Älä peitä hyllyjä alumiinifoliolla tai muulla materiaalilla, joka voi estää ilman kierron;
- Jos viinikaappia säilytetään pitkään käyttämättä, on suositeltavaa jättää ovi auki huolellisen puhdistuksen jälkeen, jotta ilma pääsee kiertämään viinikaapin sisällä ja välttämään tiivistymisen, homeen tai hajujen muodostumiselta.

CLASS 1 LED PRODUCT

Sisältö

VAROITUS	2
Ennen käyttöönottoa.....	4
Energiansäästövikit	5
Tekniset tiedot.....	5
Käyttöönotto ja asennus	6
Käännettävä ovi.....	9
Käyttö ja ohjaus	11
Sulatus, puhdistus ja kunnossapito	13
Vianetsintä.....	14
Takuu, varaosat ja huolto.....	15
Laitteen hävittäminen	16

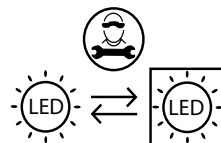
Ennen käyttöönottoa

Tarkista, että kaappi ei ole vaurioitunut kuljetuksen aikana. Kuljetusvaurioista voidaan ilmoittaa jälleenmyyjälle, jos kaappia ei ole otettu käyttöön.

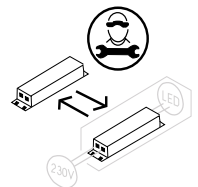
Poista pakkausmateriaalit. Puhdista kaapin sisäosat haalealla pesuainevedellä. Pyyhi pinnat puhtaalla vedellä kostutetulla liinalla ja kuivaa huolellisesti (katso kohta puhdistus). Käytä pehmeää liinaa.

Jos kaappi on ollut kyljellään kuljetuksen aikana tai sitä on säilytetty kylmässä (alle +5 °C:ssa), anna laitteen seistä vähintään tunnin ajan ennen käyttöönottoa.

Valon saa vaihtaa vain ammattiliik-
essä



Ohjainlaitteet saa vaihtaa vain amat-
tiliikkeessä



Energiansäästövinikit

Energiankulutusta voi alentaa:

- 1) alentamalla huonelämpötilaa
- 2) nostamalla termostaatin asetusta.
- 3) välttämällä oven avaamista ja pitämistä avattuna pitkiä aikoja.

Tekniset tiedot

Laitte täyttää sovellettavien EU-direktiivien vaatimukset ml pienjännitedirektiivi 2006/95/ETY ja EMC-direktiivi 2004/108/ETY.

Tyypikilvessä on kerrottu erilaisia teknisiä tietoja sekä tyyppi ja valmistenumero.

Pistorasiaan tulee päästä hyvin käsiksi.

Liitä laite 220/240 V / 50Hz via en vaihtovirtaan ainoastaan määräysten mukaisesti asennetun pistorasian kautta. Pistorasia tulee suojata 10 A Tai suurempi

Laitteissa, joita käytetään Euroopan ulkopuolisissa maissa, on tarkistettava tyyppikilvestä, onko sähköverkon liitäntäjännite ja virtalaji sama kuin laitteessa. Tyypikilpi on sijoitettu kylmälaitteen vasempaan alalaitaan.

Jännite ja teho / energia on ilmoitettu tyyppikilvessä

Jos verkkoliitäntäjohto on vaihdettava, sen saa tehdä vain valtuutettu sähköasentaja.

Käyttöönotto ja asennus

Laitteen sijoittaminen

Turvallisuus- ja käyttöteknisistä syistä laitetta ei saa sijoittaa ulkotiloihin.

Sijoita kaappi tasaiselle alustalle kuivaan ja hyvin ilmastoituun tilaan (maks. 75 % suhteellinen ilmankosteus). Älä sijoita laitetta lämmönlähteiden, kuten liedien tai lämpöpatterin läheisyyteen äläkä altista sitä suoralle auringonvalolle tai muille lämmönlähteille.

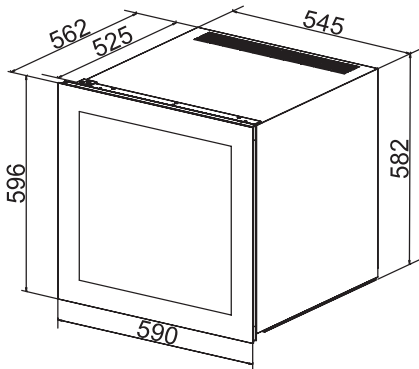
Asennus

Kaapin alustan tulee olla tasainen.

Kaappi voidaan sijoittaa vapaasti seinää vasten, vierekkäin muiden kaappien kanssa tai asentaa kalusteisiin.

Ilmanvaihto

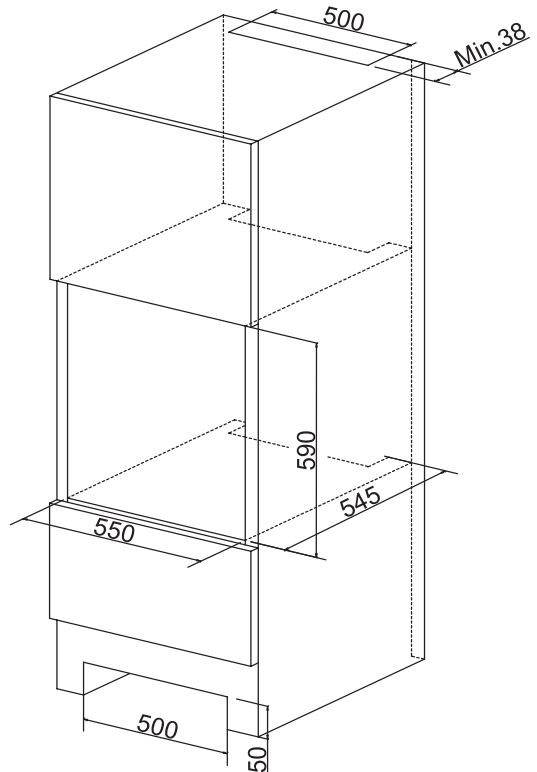
On tärkeää huolehtia kaapin riittävästä ilmanvaihdosta ja että ilma kiertää esteittä kaapin ylä- ja alapuolella sekä ympärillä. Alla olevista kuvista näet, miten voit varmistaa riittävän ilmanvaihdon kaapin ympärillä.



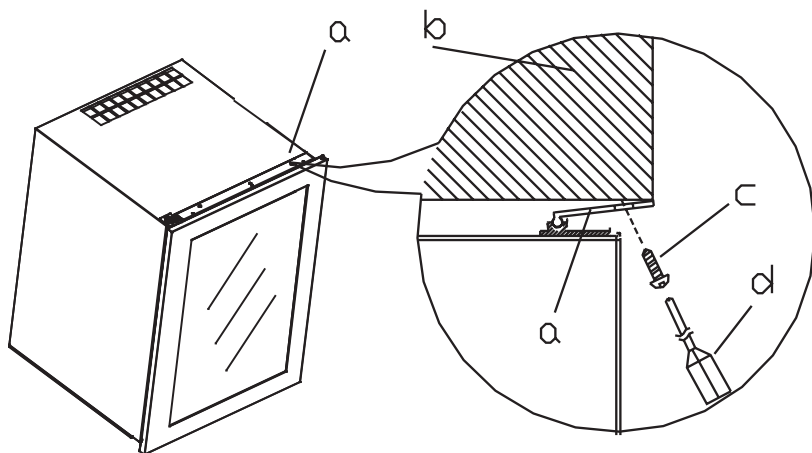
Ympäristön lämpötila

Ilmastoluokka on merkitty tyyppikilpeen. Siitä näkee, millaisissa huoneen lämpötiloissa kylmälaitetta voi käyttää.

Huoneen lämpötilaluokka	Ihanteellinen huone- lämpötila
SN	+10 °C - +32 °C
N	+16 °C - +32 °C
ST	+16 °C - +38 °C
T	+16 °C - +43 °C

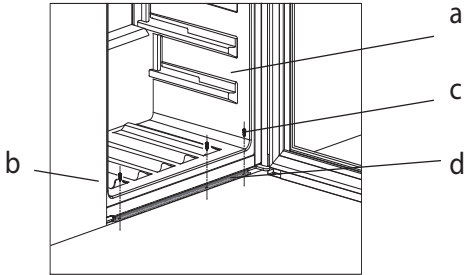


1. Turvakiinnike (a) on kiinnitettävä, kun laite sijoitetaan sisäänrakennettuun kaappiin. (b)
2. Kiinnitä kolme ruuvia (c) turvakiinnikkeen (a) läpi ruuvitaltalla (d) ja suoraan kaappiin (b). Tämän sivun piirrookset näyttävät, miten.



- a. Turvakiinnike
- b. Sisäänrakennettu kaappi
- c. Ruuvi
- d. Ruuvitaltta

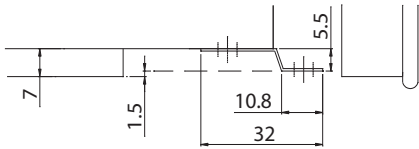
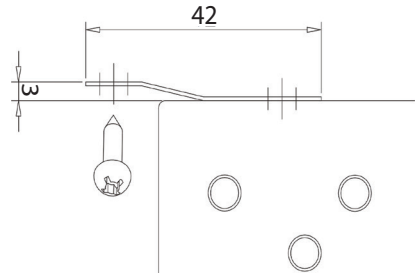
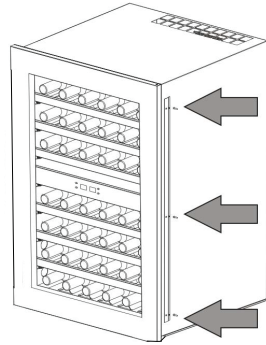
Alemman turvakiinnikkeen kiinnitys



1. Asenna viinikaappi (a) kaappiin (b) oikeaan asentoon.

2. Kiinnitä ruuvit (c) alemman turvakiinnikkeen läpi ruuvitaltalla.

3. Ks. sivu 9 ylemmän turvakiinnikkeen kiinnittämiseen liittyen

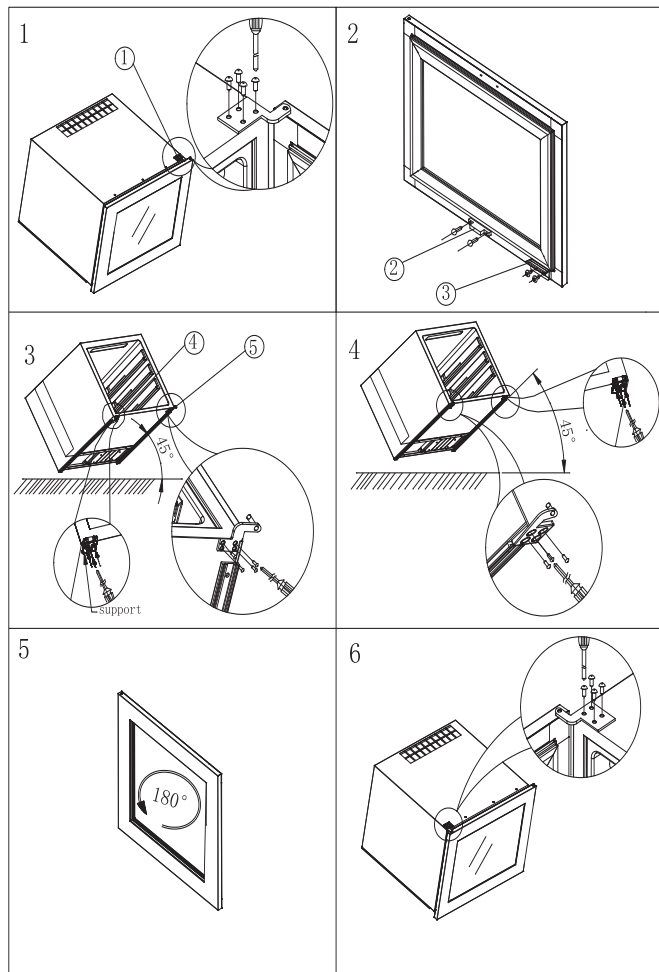


Käännettävä ovi

Laitteen oven avautumissuunta on vaihdettavissa, mutta se toimitetaan vasenkätisenä asennuksena. Voit vaihtaa oven käsisyden näiden ohjeiden avulla.

(1) Yläsarana (2) Oven valokatkaisin (3) Sijaintilevy (4) Tukikappale (5) Alasarana

Siirrä laitetta ja aseta se maton päälle noin 200 mm:n korkeudelle. Näin saadaan jätettyä riittävästi ovelelle, sillä se on kaappia suurempi.



1. Avaa ovi 90 asteen kulmaan. Irrota 4 ruuvia ja yläsarana (1) kaapin oikeasta yläkulmasta. Irrota ovi kaapista ja aseta se turvalliseen paikkaan (Kuva 1)

2. Irrota oven valokytkimen (2) 2 ruuvia oven keskikohdasta ja kiinnitä oven valokytkin (2) 2 ruuvilla vastakkaiselle puolelle (Kuva 2)

3. Irrota sijaintilevyn (3) ruuvit oven oikeasta alakulmasta ja kiinnitä sijaintilevy ruuveilla vastakkaiselle puolelle (oven oikeaan yläkulmaan) (kuva 2)

4. Kallista viinikaappia 45 astetta, irrota ruuvit ja alasarana (5) kaapin oikeasta alakulmasta. Irrota ruuvit ja tukikappale (4) kaapin vasemmasta alajulmasta ja asenna tukikappale (4) kaapin oikeaan alakulmaan. (Kuva 3/4)

5. Asenna yläsarana (1) kaapin vasempaan alakulmaan. (Kuva 4)

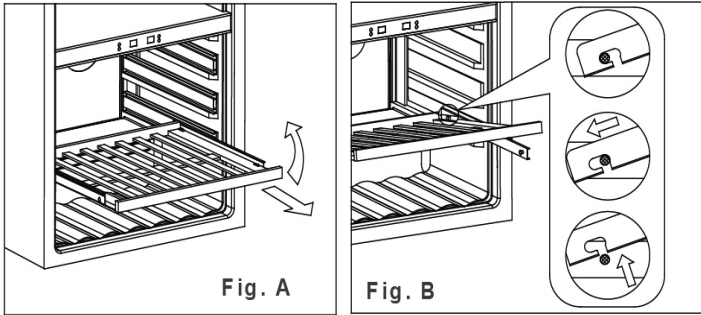
6. Avaa ovi 180 asteen kulmaan (Kuva 5)

7. Asenna alasarana (5) ruuveilla kaapin vasempaan yläkulmaan ja aseta ovi paikoilleen kaappiin (Kuva 6);

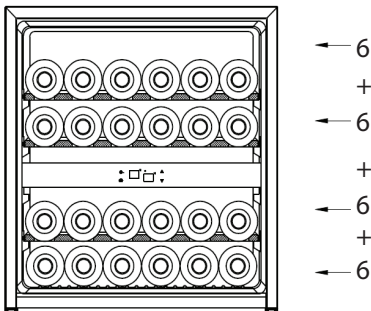
Hyllyt

Ovi on avattava kokonaan ennen hyllyjen ulos vetämistä, jotta oven tiiviste ei vahingoitu.

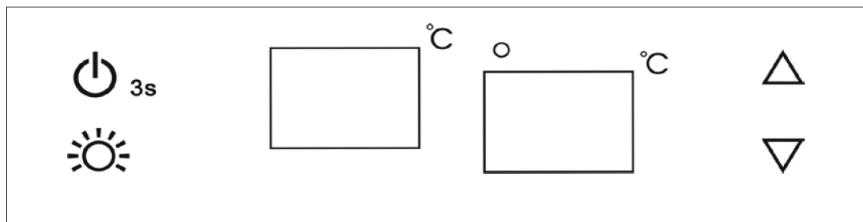
Kallista hyllyä hieman, paina sitä taakse ja nosta oikealla olevan kuvan mukaisesti.




Enint. 24 Bordeaux-pulloa





Käyttö ja ohjaus




 Sisävalon päälle-/poiskytkemiseen.

 Merkkivalon palaessa jäädytystila on käynnissä.

 **3s** Ohjaa laitetta kytkemällä se päälle/pois (pidä painiketta painettuna 3 sekunnin ajan)

 Painike säätää yläosan lämpötila-alueetta. Jokaisella painalluksella lämpötila laskee portaittain 1 °C. Lämpötila-alue on 5–10 °C.

 Painike säätää alaosan lämpötila-alueetta. Jokaisella painalluksella lämpötila laskee portaittain 1 °C. Lämpötila-alue on 10–18 °C.

Yläosa

Yläosan lämpötila-asetuksen näyttö.

Alaosa

Alaosan lämpötila-asetuksen näyttö.

Viilkuva merkkivalo = Kaapin lämpötila
Tasainen merkkivalo = Lämpötilan asetus

Hälytykset

Jos lämpötila on korkeampi kuin 23 °C, näytössä näkyy "HI", hälytys soi tunnin kuluttua ja syy on tarkistettava. Jos lämpötila on alle 0 °C, näytössä näkyy "LO", ja summerihälytys ja toimintahäiriön ilmaisin sytyvät samaan aikaan.

Ovihälytys

Ovihälytys aktivoituu, jos ovi on auki yli viisi minuuttia.

Virtakatkokset

Virtakatkoksen sattuessa viinikaappi muistaa aiemat lämpötila-asetukset, ja kun virta palautuu, kaapin lämpötila palaa takaisin samaan lämpötila-asetukseen kuin sammumisen hetkellä.

LED-valo

Energiankulutuksen vähentämiseksi LED-valo sammuu automaattisesti, kun ovi suljetaan.

LED-valo voi myös palaa jatkuvasti, jos niin haluat. Pidä "LIGHT"-painiketta painettuna viiden sekunnin ajan ja näytössä näkyy

"LP". Neljän sekunnin kuluttua näyttö palaa takaisin normaaliin ja valo palaa, kunnes se sammutetaan manuaalisesti.

Jos haluat palauttaa ja säästää energiaa (suositeltu), pidä "LIGHT"-painiketta painettuna viiden sekunnin ajan, näytössä näkyy "LF". Neljän sekunnin kuluttua näyttö palaa normaaliin ja valo sammuu automaattisesti kymmenen minuutin kuluttua.

(Jos viinikaappi on varustettu ovikytkimellä. Valo on päällä, kun ovi on auki ja sammuu, kun ovi suljetaan).

HUOMAA:

Jos yksikkö on irrotettu, virta on katkennut tai kytketty pois päältä, sinun on odotettava 3-5 minuuttia ennen kuin käynnistät yksikön uudelleen. Jos yrität uudelleenkäynnistystä ennen tämän aikaviiveen päättymistä, viinikaappi ei käynnisty.

Kun käytät viinikaappia ensimmäistä kertaa tai käynnistät viinikaapin uudelleen sen oltua sammutettuna pitkän aikaa, saattaa ilmetä muutaman asteen poikkeavuutta valitsemasi lämpötilan ja LED-ilmaisimen välillä. Tämä on normaalia ja johtuu aktivaatioajan pituudesta. Kun viinikaappi on ollut käynnissä muutaman tunnin ajan, kaikki palautuu normaaliksi.

Sulatus, puhdistus ja kunnossapito

Kaapin automaattinen sulatus

Kaapin sulatus tapahtuu automaattisesti, vesi valuu putken läpi kompressorin yläpuolisen kaksivesisäiliön päälle. Vesi haihtuu kompressorin lämmön ansiosta. Kaksivesisäiliö tulee puhdistaa säännöllisesti.

Puhdistus

Irrota laite verkkovirrasta ja poista irralliset osat ennen puhdistusta.

Suosittelimme, että säiliö puhdistetaan lämpimällä vedellä (enint. 65 °C) ja pienellä määrällä mietoa ja hajutonta puhdistusainetta. Älä koskaan käytä hankaavia puhdistusaineita. Käytä pehmeää liinaa. Huuhtelee puhtaalla vedellä ja kuivaa huolellisesti. Huolehdi, että ohjauspaneeliin ei pääse vettä.

Kantta ympäröivä tiivistenuha on puhdistettava säännöllisesti. Näin ehkäistään värimuunnokset ja pidennetään käyttöikää. Käytä puhdasta vettä. Kun olet puhdistanut tiivistenuhan, tarkista, että sillä on edelleen hyvät tiiviysominaisuudet.

Ilmanvaihtoritilä on pidettävä puhtaana pölystä ja liasta. Puhdista ritilä pölynimurilla.

Jos laitetta ei käytetä pitkään aikaan, katkaise laitteesta virta, irrota virtajohto pistorasiasta, tyhjennä pakastin, puhdista säiliö ja jätä kansi auki ilmanvaihtoa varten ja hajunmuodostuksen ehkäisemiseksi.

Vianetsintä

Vika	Mahdollinen syy	Ratkaisu
Kaappi ei toimi.	Kaappi on pois päältä. Sähkökatko; sulake on pois päältä; virtajohtoa ei ole kytketty asianmukaisesti.	Paina virtapainiketta. Tarkista virtaliitäntä. Sulakkeen on oltava päällä.
Kaapin pohjalle valuu vettä.	Kaksivesiputki on tukkeutunut.	Puhdista kaksivesiputki ja takaseinämän poistoaukko.
Tärinä tai häiritsevä melu.	Kaappi seisoo vinossa. Kaappi on kiinni muissa kalusteissa. Säiliöt tai pullot osuvat toisiinsa kaapissa.	Säädä kaapin asento vesivaa’an avulla. Siirrä kaappi irti siinä kiinni olevista keittiökalusteista tai -laitteista. Huolehdi riittävästä etäisyydestä pullojen ja/tai säiliöiden välillä.
Kompressorin käy jatkuvasti	Korkea huonelämpötila	Huolehdi hyvästä ilmanvaihdosta
Viinikaappi ei ole riittävän kylmä.	Tarkista lämpötila-asetus. Ovea avataan liian usein. Ovi ei ole täysin kiinni. Oven tiiviste ei tiivistä kunnolla.	Aseta haluttu lämpötila. Pidä ovi suljettuna pitkään. Sulje ovi. Kohdista ovi.

Takuu, varaosat ja huolto

Vastuuvapauslauseke

Virheellisestä käytöstä, väärinkäytöstä, ylläpidon laiminlyönnistä, virheellisestä kokoomisesta, asennuksesta tai verkkovirtaliitännästä aiheutuneet viat ja vahingot. Tulipalo, onnettomuus, salamanisku, jännitteenvaihtelut tai muu sähköinen häiriö, mukaan lukien vialliset sulakkeet ja viat sähköverkkoasennuksissa. Takuu ei kata muun kuin Upon hyväksymän huoltopalvelun suorittamia korjauksia. Takuu ei myöskään kata mahdollisia muita vikoja ja vahinkoja, jotka valmistaja voi todistaa aiheutuneen muusta syystä kuin valmistus- tai materiaaliavirheistä.

Huomaa, että laitteen rakenteeseen tai sen osiin tehdyt muutokset mitätöivät Upon takuun ja tuotevastuun, eikä laite täytä tällöin lainsäädännön vaatimuksia. Lisäksi Upon arvokilvessä ilmoitettu hyväksyntä mitätöityy.

Ostajan toteamat kuljetusvauriot sovitaan ensisijaisesti ostajan ja jälleenmyyjän välillä, ts. jälleenmyyjän on varmistettava, että kyseiset tilanteet ratkaistaan ostajan edun mukaisesti.

Ennen kuin otat yhteyttä tekniseen tukeen, varmista, että et pysty ratkaisemaan ongelmaa itse (katso Vianetsintä). Jos takuu ei kata tuotetukea, esim. jos laitteessa olevan vian on aiheuttanut lauennut sulake tai virheellinen käyttö, sinulta veloitetaan teknisen tuen käytöstä aiheutuneet kulut.

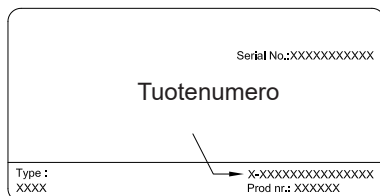
Varaosat

Kun tilaat varaosia, ilmoita laitteen tyyppi- Tuotenumero ja sarja- ja valmistusnumero. Tiedot on ilmoitettu laitteen takaosassa olevassa arvokilvessä. Arvokilpi sisältää erilaisia teknisiä tietoja, kuten laitteen tyyppin ja sarjanumerot.

Huom.: Käytä aina valtuutettua huoltopalvelua, kun laite on korjattava tai vaihdettava!

Huolto

Upolla on paikallisia huoltopalveluja Upon-tuotteisiin erikoistuneissa toimipisteissä. Niistä saat selville korjausten hinnat ja huoltopalvelut. Paikallisen huoltopalvelusi löydät osoitteesta www.upo.fi tai ottamalla yhteyttä jälleenmyyjään.



Laitteen hävittäminen

Tietoja vanhojen laitteiden ja käytettyjen paristojen keräyksestä ja hävittämisestä



Nämä merkinnät tuotteissa, pakka-uksissa ja/tai niihin liitetyissä dokumenteissa tarkoittavat, että käytettyjä sähköja elektroniikkalaitteita sekä paristoja ei tule sekoittaa tavalliseen kotitalousjätteeseen.

Vanhojen tuotteiden ja käytettyjen paristojen asianmukainen käsittely, talteen ottaminen ja kierrätys edellyttävät niiden viemistä tarjolla oleviin keräyspisteisiin kansallisten määräysten sekä direktiivien 2012/19/EU ja 2006/66/EC mukaisesti.

Kun hävität tuotteet ja paristot asianmukaisesti, autat säilyttämään arvokkaita luonnonvaroja sekä ehkäisemään ihmisen terveydelle ja ympäristölle haitallisia vaikutuksia, joita vääränlainen jätteenkäsittely voi aiheuttaa. Ota yhteys asuinkuntasi viranomaisiin, jätteenkäsittelystä vastaavaan tahoon tai tuotteiden ostopaikkaan saadaksesi lisätietoja vanhojen tuotteiden ja paristojen keräyksestä ja kierrätyksestä.

Tuotteiden epäasianmukaisesta hävittämisestä saattaa seurata kansallisessa lainsäädännössä määrätty rangaistus.



Yrityksille Euroopan unionissa

Lisätietoja sähkö- ja elektroniikkalaitteiden hävittämisestä saat jälleenmyyjältä tai tavarantoimittajalta

[Tietoja hävittämisestä Euroopan unionin ulkopuolella]

Nämä merkinnät ovat voimassa ainostaan Euroopan unionin alueella. Jos haluat hävittää tämän tuotteen, tiedustele oikeaa hävitystapaa paikallisilta viranomaisilta tai jälleenmyyjältä.

Paristomerkintää koskeva huomautus (alla kaksi esimerkkiä merkinnöistä):



Tämä merkki voi olla käytössä yhdessä kemiallisen merkinnän kanssa. Siinä tapauksessa merkki noudattaa kyseistä kemikaalia koskevan direktiivin vaatimuksia.



DECLARATION OF CONFORMITY

Made in Denmark by A/S Vestfrost

Falkevej 12, 6705 Esbjerg Ø, Denmark and Sp. Møllevvej 100, 6705 Esbjerg Ø, Denmark
Telephone 45 79 14 25 25 Telephone 45 79 14 22 22

The undersigned declare that the product is in conformity with the relevant statutory requirements and the applicable parts of harmonized European standards:

Low Voltage Directive 2014/35/EU

EN 60335-1:2012+A11+A13+A1+A14+A2
EN 60335-2-24:2010+A1+A2+A11
EN 62233:2008

Electromagnetic Compatibility Directive 2014/30/EU

EN 61000-3-3: 2013
EN 61000-3-2: 2014
EN 55014-1: 2017+A11
EN 55014-2: 1997+A1+A2+AC

Ecodesign Directive 2009/125/EC

Eco design of household refrigerating appliances 2019/2019

Restriction of Hazardous Substances Directive (RoHS) 2011/65/EU

A/S VESTFROST

2021.10.19

Appliance Certification Manager

Jørgen Dyrholm

name

Esbjerg Denmark

VESTFROST
SOLUTIONS

A/S Vestfrost
Falkevej 12

DK: 6705 Esbjerg Ø, Denmark
Tel.: +45 79 14 22 22 · Fax: +45 79 14 23 55

signature

Esbjerg Denmark

- GB Reserving the right to alter specifications without prior notice.
- DK Ret til ændringer forbeholdes
- SE Rätt till ändringar förbehålls.
- NO Rett til endringer forbeholdes
- FI Varaa oikeuden teknisten tietojen muuttamiseen ilman ennakoilmoitusta.