

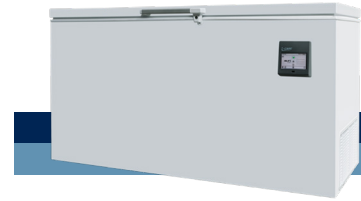


ULTF-C383i

CHEST ULT FREEZER

The chest design is an economical choice, that preserves cold well due to the horizontal lid.

-20°C
-86°C



DIMENSIONS

Outer Dimensions HxWxD, mm	831x1560x608
Inner Dimensions HxWxD, mm	624x1400x440
Weight Gross/Net, kg	112 / 86
Material inner cabinet	Painted Steel
Material outer cabinet	Painted Steel
Packaging weight, kg	26
Packaging dimensions HxWxD, mm	900x1613x725
Insulation thickness	80
Insulation type	Polyurethane with Cyclopentane
Mobility	Standard: 4 castors with brakes
Refrigerant, Type / gram	Nature R2 / 161
Variable Speed Compressor	No
Internal Air Distribution	Static
Number of probes	1

CONTROLLER

Controller	i-Care, Touch screen
Controller language	EN, DE, FR
USB Connection	Yes
Logging	Data, Alarms & Events
Temperature graph	Yes
High/Low temp. Alarm	Yes
Open door alarm	No
Probe failure alarm	Yes
Power failure alarm	Yes

STORAGE

Volume, Gross/Net, L	383 / 638
Cryobox "2 capacity	282
2 ml vials capacity	28.200
Inner lids	Yes

FEATURES

Lock	Yes
LED light	No
Battery Backup for Controller, 24h	Yes
VIP (Vacuum Insulated Panel)	No
Door frame heater	No
Porthole	Yes - Ø 12,5 mm
Dry Contact	Yes
Vacuum valve	No
Door	Solid



ULTF-C383i

CHEST ULT FREEZER

The chest design is an economical choice, that preserves cold well due to the horizontal lid.

Voltage/Frequency	Voltage/Hz	230V/50Hz
Max Ambient	°C	25°C
Max Humidity	% rh	65%
PERFORMANCE		
All data in RT20°C		
Temperature Range	°C	-20 to -86
Uniformity in performance - difference between top and bottom	°C	+/- 1,1
Pull down time	Minutes	138min to -75°C
Hold over time	Minutes	69 min to -60°C
Noise	dB	55
Energy Saving Mode	kWh/24h	7,424 kWh/24h Set -70
Energy Consumption, kWh / 24h	kWh/24h	9,957 kWh/24h Set -82
Energy year	kWh/year	3634,3 kWh/y Set -82°C
Instant Power Consumption	kW	PD 0,810-0,600/Stable 0,532
Heat Rejection	W	670
U-Value	W/m ² K	0,2
COOLING COMPONENTS		
Refrigerant/Amount (gram)		Nature R 2/161gr
Number of compressors	pcs	1
Variable speed compressor	Yes/No	No
Internal air distribution (type of)		Static
Evaporator Fan	Yes/No/Variable	No
Condenser Fan	Yes/No/Variable	Yes
Number of probes	pcs	1
Defrost	Yes/No	No

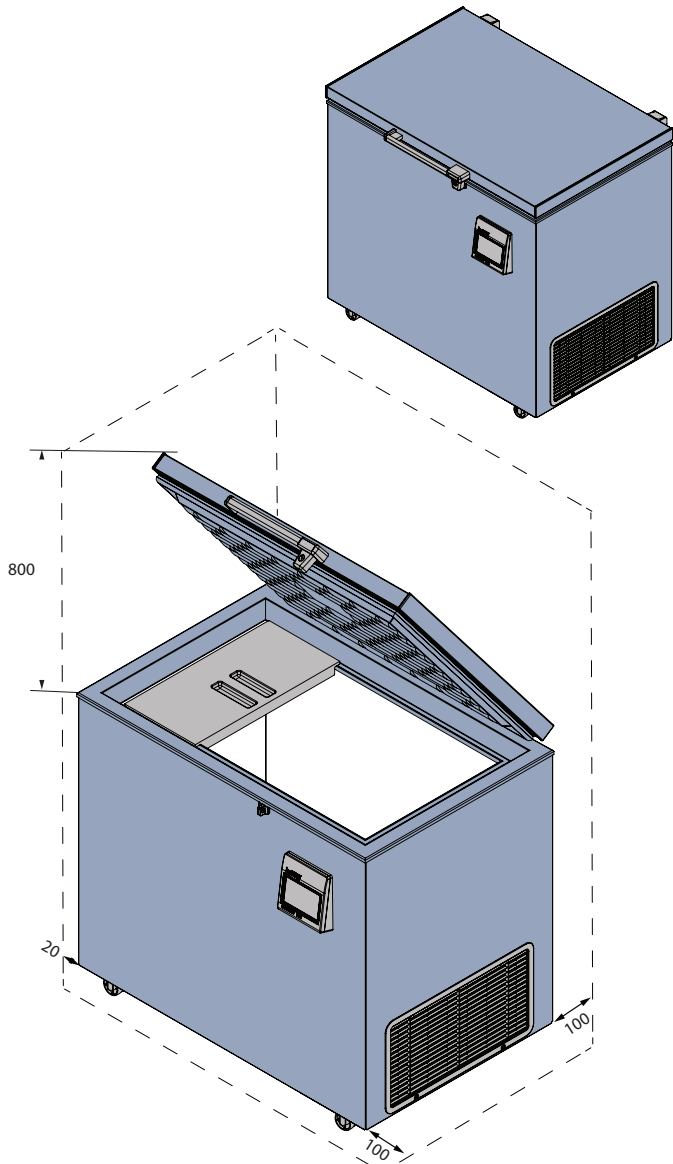
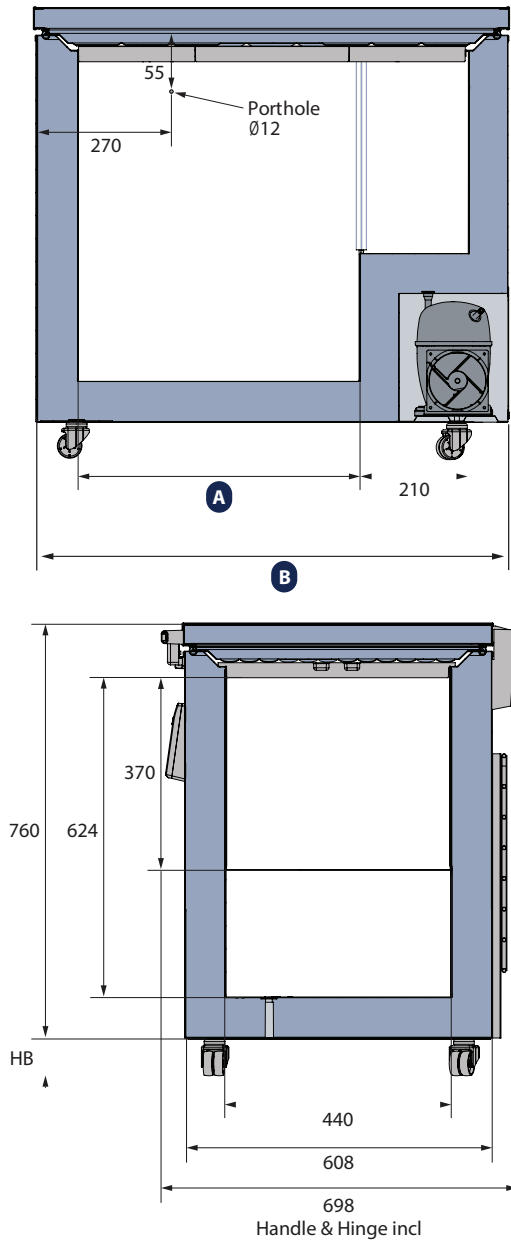


ULTF-C383i

CHEST ULT FREEZER

The chest design is an economical choice, that preserves cold well due to the horizontal lid.

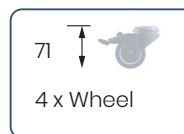
BIOMEDICAL



MODEL	A	B
ULTF-C198i	550	920
ULTF-C296i	890	1260
ULTF-C383i	1190	1560

All measurements in mm.

HB: Height of base
(HB is adjustable when given value is xx-xx)





ULTF-C383i

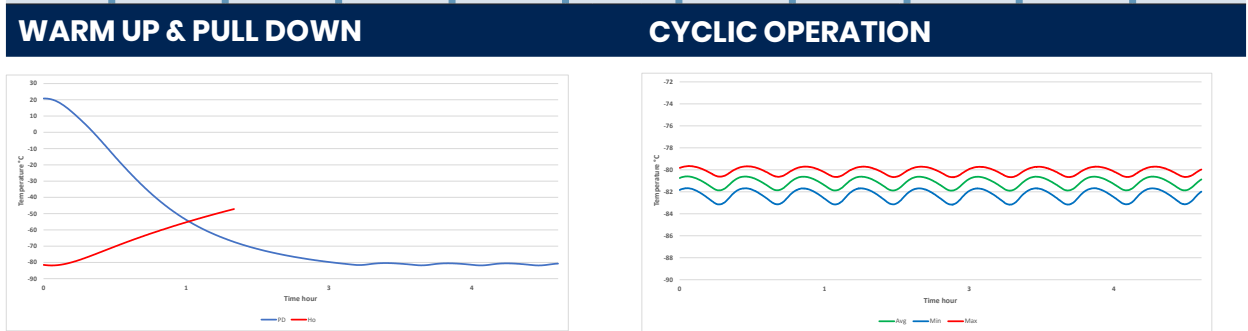
CHEST ULT FREEZER

The chest design is an economical choice, that preserves cold well due to the horizontal lid.

BIOMEDICAL

SENSOR POSITION		MODEL	ULTF-C383i
<p>FRONT VIEW</p> <p>TOP VIEW</p>		<p>Test type</p> <p>10-point test</p>	
		<p>Test environment</p> <p>Controlled conditions, empty cabinet</p>	
		<p>Ambient temperature</p> <p>20°C</p>	
		<p>Humidity</p> <p>60%</p>	
		<p>Set-point</p> <p>-82°C</p>	
		<p>Sensor used</p> <p>25gr tinned brass formed as a cylinder with a diameter of 15,2 mm</p>	
		<p>Installation</p> <p>Appliance installed according to instruction manual conditions</p>	
		<p>Refrigerant</p> <p>Nature R 2</p>	

SENSOR TEMPERATURE										
Sensor position	P1	P2	P3	P4	P5	P6	P7	P8	P9	P10
Max.	-80,9	-81,5	-81,7	-80	-80,3	-79,9	-79,7	-80,7	-81,7	-80,8
Avg.	-81,5	-82,2	-82,3	-80,8	-80,8	-80,4	-80,1	-81,2	-81,7	-80,8
Min.	-82,3	-83	-83,2	-81,6	-81,5	-81	-80,7	-81,8	-82,5	-81,6



TYPICAL PERFORMANCE IN AMBIENT 20°C – EMPTY CABINET	
Avg. cabinet temperature	-81,2°C
Peak variation from set-point	+/- 1,1°C
Stability in avg.	0,6°C
1 min. door open recovery to -75°C avg. temperature	<1 min.
Cycle rate on/off	25 / 7 min.
Duty cycle	75%
Energy consumption - Normal mode	9,95 kWh/day
Energy consumption - Energy saving mode	7,42 kWh/day
Pull down time to -75°C avg. temperature	138 min.
Hold over time from -82°C to -60°C	69 min.
Heat rejection	670 W