



BIOMEDICAL

R-138i

BIOMEDICAL REFRIGERATOR

With a compact design, this undercounter fits perfectly beneath your work bench, providing a storage solution that is ideal for places where space is limited.



Protection for storage
CE II 3G nA IIB T6

+2°C
+20°C



DIMENSIONS

| | |
|--------------------------------|---|
| Outer Dimensions HxWxD, mm | 825x595x642 |
| Inner Dimensions HxWxD, mm | 676x475x495 |
| Weight Gross/Net, kg | 56 / 45 |
| Material inner cabinet | ABS |
| Material outer cabinet | Painted Steel |
| Packaging weight, kg | 11 |
| Packaging dimensions HxWxD, mm | 1037x710x650 |
| Insulation thickness | 50 |
| Insulation type | Polyurethane with Cyclopentane |
| Air distribution | Dynamic |
| Mobility | Standard: Adjustable Feet - Option: Castors |
| Refrigerant, Type / gram | R600a / 47 |
| Variable Speed Compressor | Yes - Adaptive Cooling Technology |
| Number of probes | 4 |

CONTROLLER

| | |
|----------------------|-----------------------|
| Controller | i-Care, Touch screen |
| Controller language | EN, DE, FR |
| USB Connection | Yes |
| Logging | Data, Alarms & Events |
| Temperature graph | Yes |
| High/Low temp. Alarm | Yes |
| Open door alarm | Yes |
| Probe failure alarm | Yes |
| Power failure alarm | Yes |

STORAGE

| | |
|----------------------|----------------|
| Volume, Gross/Net, L | 138 / 117 |
| Shelves, Full/Half | 2 / 1 |
| Shelf material | Perforated Alu |

FEATURES

| | |
|------------------------------------|---|
| Lock | Yes |
| LED light | Yes |
| Battery Backup for Controller, 24h | Yes |
| Safety thermostat | Yes |
| Porthole | Yes - Ø 20 mm |
| Dry Contact | Yes |
| Reference bottle | Yes |
| Door | Solid |
| Door Features | Automatic: Closure < 90° - Hold Closure > 90° |
| Door Reversibility | Yes |



R-138i

BIOMEDICAL REFRIGERATOR

With a compact design, this undercounter fits perfectly beneath your work bench, providing a storage solution that is ideal for places where space is limited.

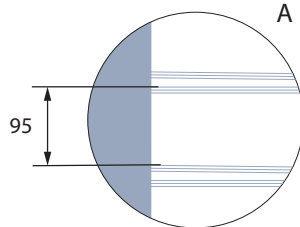
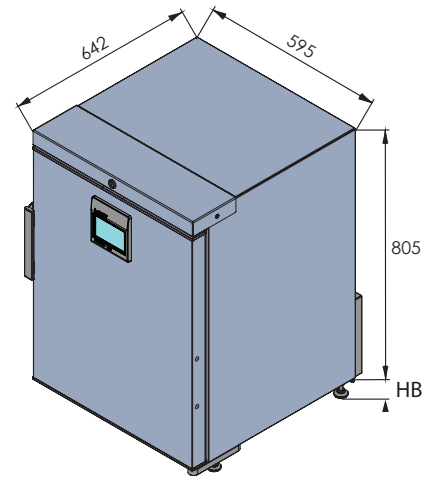
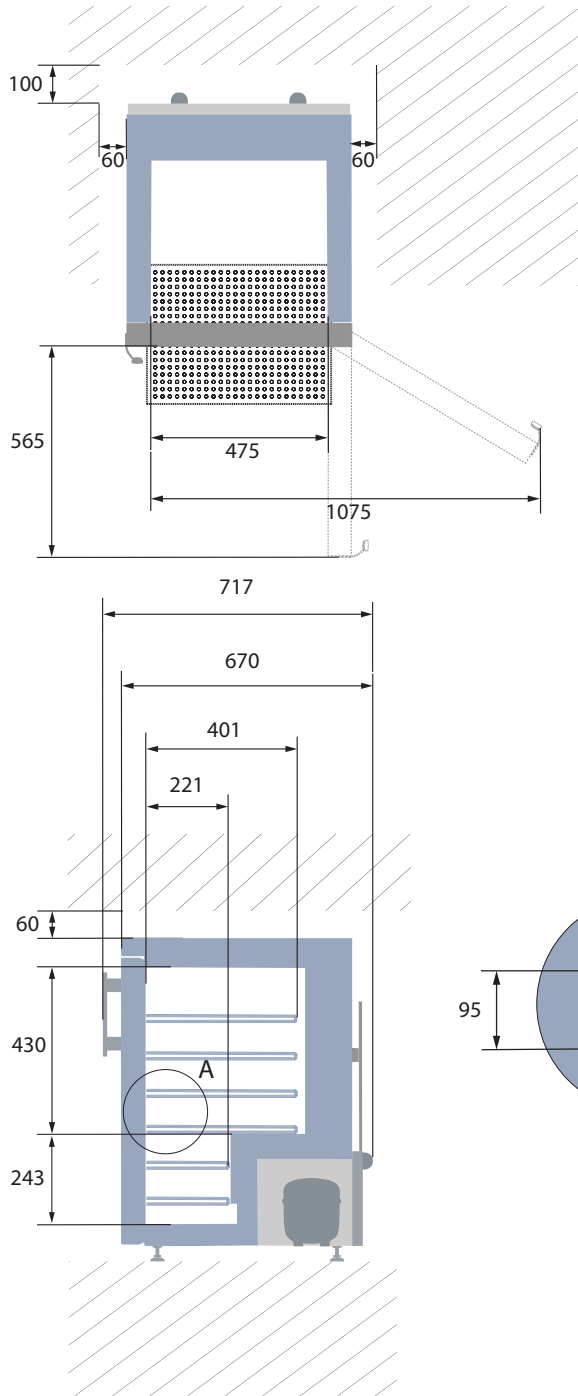
| | | |
|--|--------------------|-----------------------|
| Voltage/Frequency | Voltage/Hz | 230V/50-60Hz |
| Max Ambient | °C | 35°C |
| Max Humidity | % rh | 75% |
| PERFORMANCE | | |
| All data in RT20°C | | |
| Temperature Range | °C | 2 to 20 |
| Uniformity in performance - difference between top and bottom | °C | +/- 0,4 |
| Pull down time | Minutes | 30 min to 6°C |
| Hold over time | Minutes | 108 min to 10°C |
| Noise | dB | 44 |
| Energy Consumption, kWh / 24h | kWh/24h | 0,334 kWh/24h set 5°C |
| Energy year | kWh/year | 121,9kWh/y set 5°C |
| Instant Power Consumption | kW | PD 0,080/Stable 0,025 |
| Heat Rejection | W | 46 |
| U-Value | W/m ² K | 0,59 |
| COOLING COMPONENTS | | |
| Refrigerant/Amount (gram) | | R600a/47gr |
| Number of compressors | pcs | 1 |
| Variable speed compressor | Yes/No | Yes |
| Internal air distribution (type of) | | Dual Air Stream |
| Evaporator Fan | Yes/No/Variable | Yes |
| Condenser Fan | Yes/No/Variable | No |
| Number of probes | pcs | 4 |
| Defrost | Yes/No | Yes - automatic |
| FEATURES | | |
| Safety thermostat | y/n/optional | Yes |
| Lock | y/n | Yes |
| LED light | y/n | Yes |
| Battery Back Up For Controller | y/n/optional | Yes - 24h |
| Porthole | y/n - Ømm | Yes - Ø 20mm |
| Dry contact | y/n | Yes |
| Castors | y/n/optional | Optional |
| Door | glass/solid | Solid |
| Reference bottle | y/n/optional | Yes |
| Door closure | y/n/optional | Yes |
| Door reversibility | y/n | Yes |
| Automatic Hold 90°C | y/n | Yes |
| Vacum ventil + VIP (Vacum panel) | y/n | No |



R-138i

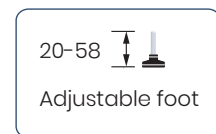
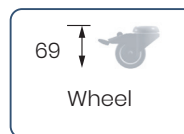
BIOMEDICAL REFRIGERATOR

With a compact design, this undercounter fits perfectly beneath your work bench, providing a storage solution that is ideal for places where space is limited.



All measurements in mm.

HB: Height of base
(HB is adjustable when given value is xx-xx)





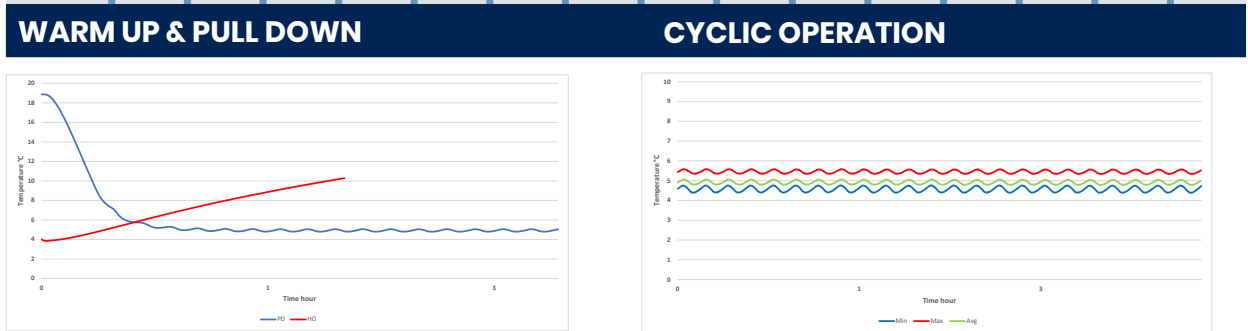
R-138i

BIOMEDICAL REFRIGERATOR

With a compact design, this undercounter fits perfectly beneath your work bench, providing a storage solution that is ideal for places where space is limited.

| SENSOR POSITION | | MODEL | R-138I |
|--------------------------|--|----------------------------|---|
| <p>FRONT VIEW</p> | | <p>TOP VIEW</p> | |
| | | Test type | 15-point test |
| | | Test environment | Controlled conditions, empty cabinet |
| | | Ambient temperature | 20°C |
| | | Humidity | 60% |
| | | Set-point | 5°C |
| | | Sensor used | 25gr tinned brass formed as a cylinder with a diameter of 15,2 mm |
| | | Installation | Appliance installed according to instruction manual conditions |
| | | Refrigerant | R600a |

| SENSOR TEMPERATURE | | | | | | | | | | | | | | | |
|--------------------|-----|-----|-----|-----|-----|-----|-----|-----|-----|-----|-----|-----|-----|-----|-----|
| Sensor position | P1 | P2 | P3 | P4 | P5 | P6 | P7 | P8 | P9 | P10 | P11 | P12 | P13 | P14 | P15 |
| Max. | 5,2 | 5 | 5,1 | 5,6 | 5,1 | 5 | 4,8 | 5,1 | 5,3 | 5 | 5 | 4,8 | 5,2 | 5,1 | 4,8 |
| Avg. | 5 | 4,9 | 5 | 5,4 | 5 | 4,9 | 4,7 | 4,9 | 5,1 | 4,9 | 4,9 | 4,6 | 4,8 | 4,9 | 4,6 |
| Min. | 4,9 | 4,8 | 4,9 | 5,3 | 4,8 | 4,7 | 4,6 | 4,7 | 5 | 4,7 | 4,7 | 4,4 | 4,6 | 4,8 | 4,4 |



| TYPICAL PERFORMANCE IN AMBIENT 20°C – EMPTY CABINET | |
|--|--------------|
| Avg. cabinet temperature | 4,9°C |
| Uniformity | +/- 0,4°C |
| Stability in avg. | 0,1°C |
| 1 min. door open recovery to 6°C avg. temperature | 8 min. |
| Cycle rate on/off | 4 / 6,5 min. |
| Duty cycle | 37,9% |
| Energy consumption | 0,33 kWh/day |
| Pull down time to 6°C avg. temperature | 30 min. |
| Hold over time from 5°C to 10°C | 108 min. |
| Sample temperature does not exceed | 8°C |
| Heat rejection | 46 W |