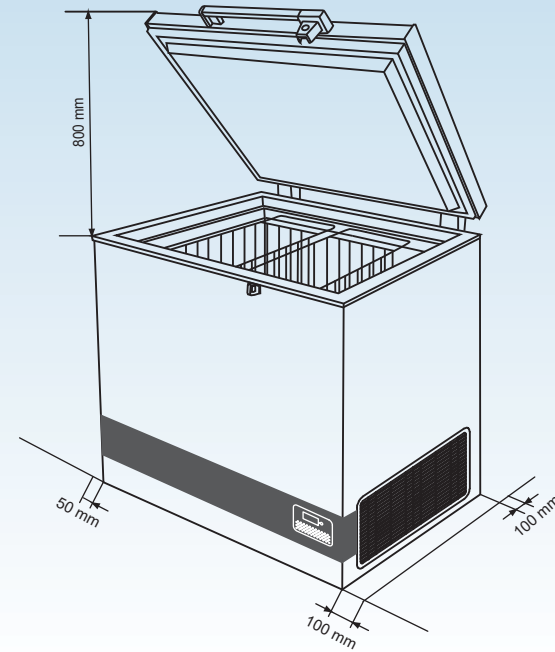


HOW TO MAINTAIN YOUR VACCINE REFRIGERATOR

1 Correct placement of the appliance

Refrigerator is:

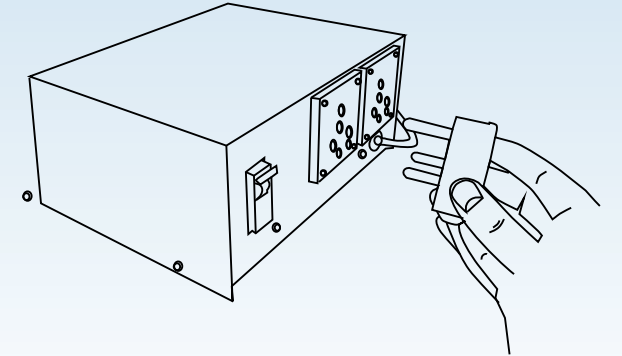
- Outside of direct sunlight
- In a well ventilated area
- Clear of any heat source
- On a level floor
- Has enough space for air circulation
- More than 100 mm between the back and the wall
- More than 100 mm from the right side of the refrigerator (grille) and the wall
- More than 200 mm between other vaccine refrigerators.



2 Protect the power supply

The Refrigerator power supply is protected with:

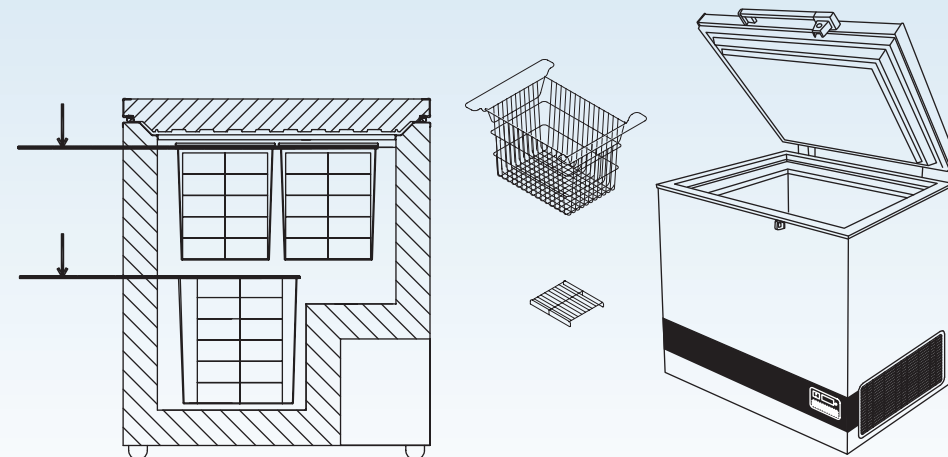
- Every refrigeration unit must be connected to an individual stabilizer.
- Bypassing of Stabilizer is not recommended, as such practice may lead to damage of the CCE & in turn safety of vaccines & hence must be avoided.
- Emphasize on repairing stabilizers immediately.
- Identify authorized Vestfrost service provider in case technical assistance is required.



3 Loading vaccines

Recommendable Preventive maintenance tools:

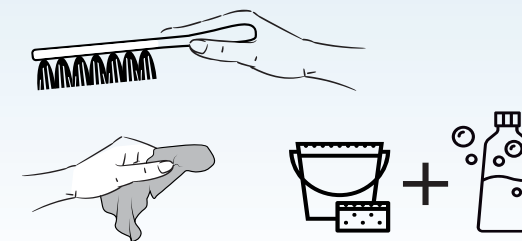
- Always make sure temperatures in vaccine compartment are stable by CCE technician within +2°C and +8°C.
- Use Baskets and Bottom gratings supplied with refrigerators
- Store vaccines neatly. Leave space of 2 cm between rows for air circulation.
- Do not load the vaccine above top of the basket (For specific types see instruction manuals)
- No expired vaccines in refrigerator; Remove expired vaccines
- First expired, First out!
- Organize so earliest expiry is easiest to reach.
- Split up stock with different expiry dates.
- Keep a "use first box" for vaccines with early expiry dates, late VVMs (For specific types see instruction manuals)



4 Preventive maintenance

Recommendable Preventive maintenance tools:

- Soft brush for cleaning
- Soft Cloth for cleaning
- Mild soap detergent (not for solar panels)
- Water bucket
- Plastic scraper (for safely removing ice bild up)
- Condensate collection pan.



IMPORTANT!

Before servicing or cleaning the appliance, disconnect it from power source.



Daily maintenance:

The temperature in the vaccine compartment must always be monitored on the thermometer every day. Please note that the vaccine in the appliance must not freeze.

Weekly maintenance:

During normal use, water can accumulate at the bottom of the appliance; remove with a cloth or through the drainage hole.

Wipe off water droplets on the inside wall at the same time.

Check if lid gasket is sealing tight to the top frame when the lid is closed.

A tight sealing lid reduces accumulation of water and formation of rime significantly.

Monthly maintenance:

Clean the grille on the right side of the refrigerator once every month. Clean vaccine compartment with lukewarm water and mild detergent. Clean outside of refrigerator with lukewarm water and mild detergent.

Yearly maintenance:

Electric connections and components are to be checked and cleaned once a year or more if necessary.

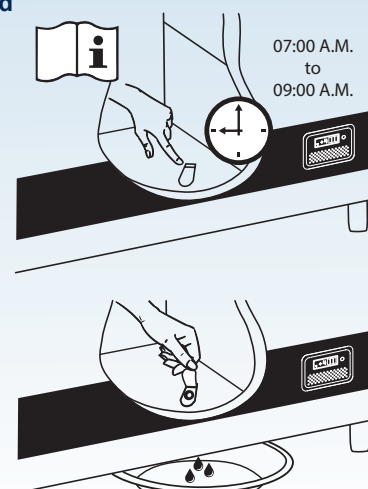
5 SOP`s- Standard Operating Procedures

Codensation increases if:

- Equipment is opened too frequently
- Lid not closing properly
- Lid gasket is defective
- High ambient temperatures

Proceed as follows:

1. Disconnect the power supply
2. Open the drainage plug
3. Place a tray under the condensation water drain
4. Dry the vaccine compartment with a soft cloth, and make sure no moisture is remaining after cleaning
5. Reinsert the internal drainage plug
6. Reconnect the power supply
7. When appliance has regained required safe temperatures for storing vaccines 2°C- 8°C, place the vaccines in neat rows with space.

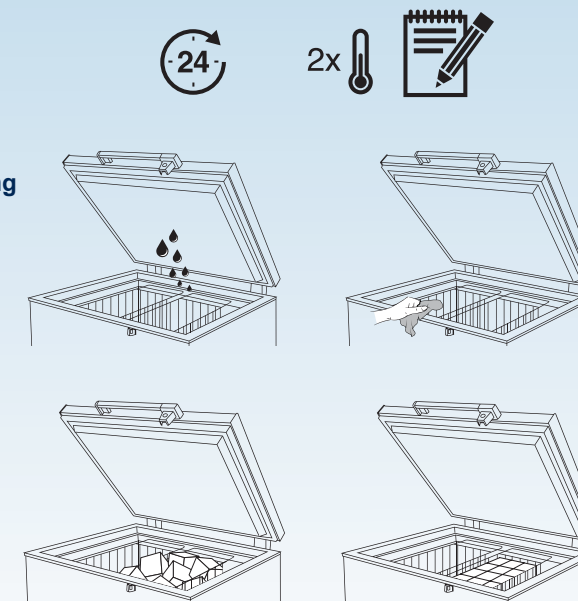


IMPORTANT!

Before condensation drainage, vaccines must be moved to another working ILR or cold box with conditioned icepacks.

Recommendable Preventive maintenance tools:

- Monitor temperature every morning and evening on Fridge-tag 2E.
- Make sure appliance is dry, make sure it is cleaned inside and outside min. every month.
- Keep the vaccine boxes in neat rows with 2 cm. space between boxes of vaccines for circulation of air.



- Make sure lid gasket is not faulty
- No food or drinks to be stored in the vaccine compartment.
- Do not open the door or lid unless it is essential to do so. Frequent opening raises the temperature inside the refrigerator.
- Make sure lid fits and close tight to the cabinet.
- Make sure to lock the fridge when not in use.

