



12 RESPONSIBLE
CONSUMPTION
AND PRODUCTION



Vestfrost Solutions is working towards reaching the UN - Global Sustainable Development Goals by 2030.

The Sustainable Development Goals are the blueprint to achieve a better and more sustainable future for all. In order to implement Goal no 12 "Responsible Consumption and Production", this manual has been printed on recycled paper.



VLS 024 SDD

GB Instructions for use
FR Consignes d'utilisation
ES Instrucciones para el uso
RUS Инструкция по эксплуатации
CHI 使用说明

ARA مداخلتسالا تاميلعت

WARNING

As the appliance contains flammable refrigerant, as stated on nameplate, it is essential to ensure that the refrigerant pipes are not damaged.

The quantity and type of the refrigerant used in your appliance is indicated on the rating plate.

Standard EN378 specifies that the room in which you install your appliance must have a volume of 1m³ per 8 g of hydrocarbon refrigerant used in the appliances. This is to avoid the formation of flammable gas/air mixtures in the room where the appliance is located in the event of a leak in the refrigerant circuit.

WARNING:

Ventilation openings in the appliance or in built-in structures must be kept clear.

WARNING:

Do not use other mechanical devices or means to accelerate the defrosting process or to remove rime other than those recommended by the manufacturer.

WARNING:

Do not damage the refrigerant system.

WARNING:

The appliance may not be exposed to rain.

WARNING:

This appliance is not intended for use by persons (including children) with reduced physical, sensory or mental capabilities, or lack experience and knowledge, unless they have been given supervision or instructions concerning use of the appliance by a person responsible for their safety. Children should be supervised to ensure that they do not play with the appliance.

WARNING:

Children must not play with, on, or around the appliance.

WARNING:

Children must not clean the appliance or carry out general maintenance unless they are at least 8 years old and are being supervised

WARNING:

Always, keep the keys in a separate place and out of reach of children.

WARNING:

Before servicing or cleaning the appliance, switch off circuit breaker.

WARNING:

Danger risk of fire or explosion. Flammable refrigerant used, as stated on nameplate. To be repaired only by trained personnel.

**WARNING:**

When positioning the appliance, ensure the power cord is not trapped or damaged.

WARNING:

Do not store explosive substances such as aerosol cans with a flammable propellant in this appliance.

WARNING:

Do not locate multiple portable socket-outlets or portable power supplies at the rear of the appliance.

WARNING:

Do not use electrical appliances inside the food storage compartments of the appliance, unless they are of the type recommended by the manufacturer

WARNING:

Appliance use flammable insulation blowing gas. For information about safe disposal, please contact your local disposal service. See section for Disposal.

Contents

WARNING	2
Introduction.....	4
Operational guidelines.....	4
Get to know your VLS 024 SDD	5
Placing the Fridge-tag ®.....	6
Placing and unpacking	7
Installation and start up	8
Loading the appliance	9
Control panel	10
Solar panels.....	10
Maintenance and cleaning.....	11
Condensation water drainage.....	12
Trouble-shooting.....	13
Warranty, spare parts and service	14
Disposal.....	15



Introduction

The philosophy behind the VLS 024 SDD system is:

- Simplicity
- Safety
- Robustness
- Reliability

The VLS 024 SDD system is composed of:

- VLS 024 SDD refrigerator
- Solar panels
- Installation equipment for the solar panels
- Wires from the solar panels to the VLS 024 SDD

The VLS 024 SDD is a vaccine refrigerator. It has one compartment for vaccine storage (+2°C to +8°C) equipped with 1 basket.

With correct installation and by following a few maintenance routines, the system will work trouble-free for many years.

Operational guidelines

The compressor requires that the solar panels are able to deliver a power above a certain threshold in order to start. When started, the compressor is able to operate at lower power consumption than the starting threshold. The compressor may need a couple of starting attempts to get running. So be patient!

During days with changing weather conditions, the compressor may start and stop several times.

The noise coming from the VLS 024 SDD appliance is low, and primarily comes from a fan cooling the compressor.

The compressor is almost noiseless. The fan starts a moment before the compressor and stops a moment after the compressor.

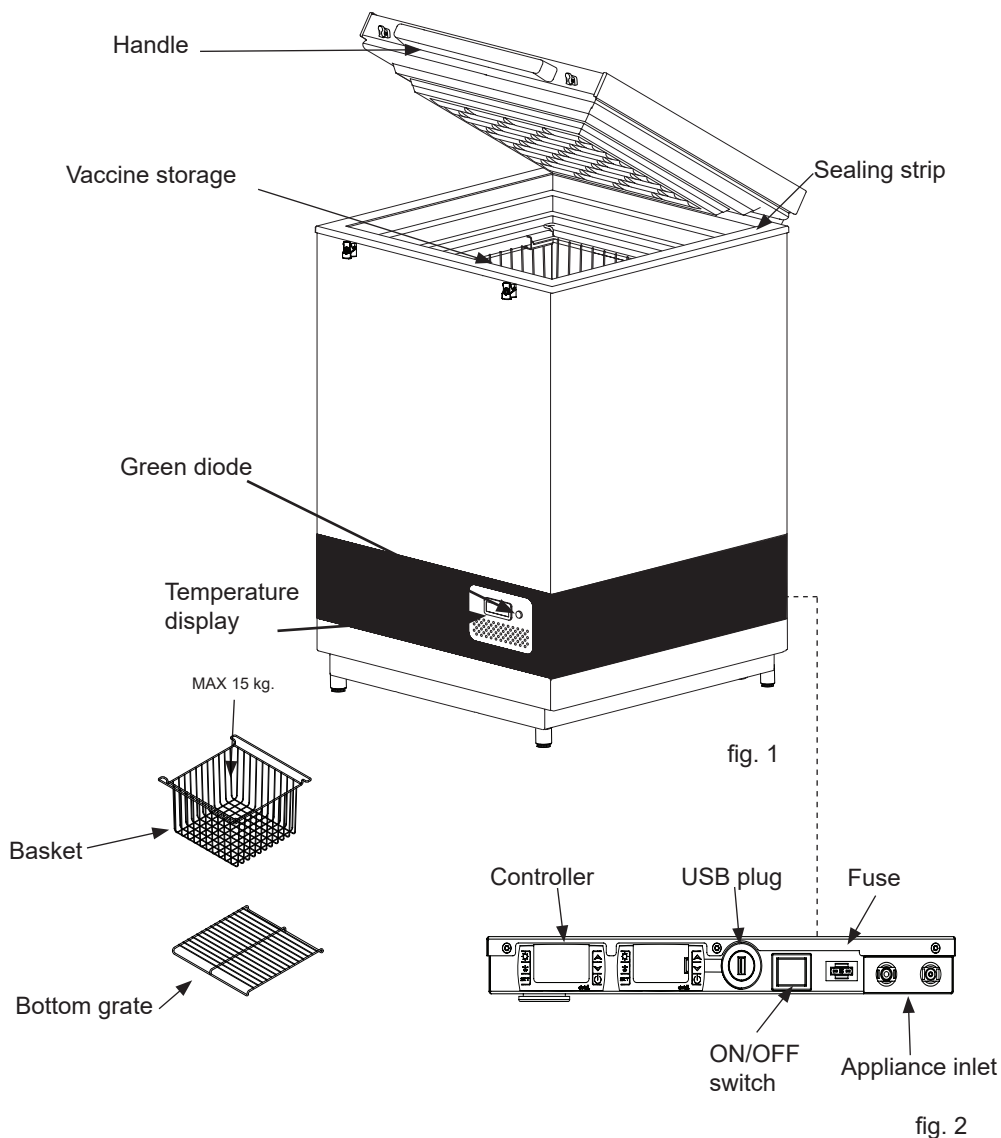
The controller is factory set and should be adjusted only by authorized personnel.

Basket is included when the appliance is supplied and this **MUST** be used for storing the medicine.

Reserving the right to alter specification without prior notice.

PQS Code	Model	PQS Performance specifications Specification reference:	PQS Independent type-testing protocol Product verification protocol:
E003/069	VLS 024 SDD	E003/RF05.3	E003/RF05-VP.3

Get to know your VLS 024 SDD



Placing the Fridge-tag®

The activated Fridge-tag must be placed immediately in its predetermined location. It is recommended and important to place the device in the centre of the refrigerator for an optimal temperature observation.

External sensor

Two hours before activating the device the external sensor must be placed in its predetermined location. It is recommended and important to place the external sensor in the centre of the refrigerator for an optimal temperature observation and to avoid any incorrect measurements when starting the device



fig. 3

**Fridge-tag
Support**



Placing and unpacking

Unpacking

Unpack the appliance and check that it has not been damaged. If you observe any damage, please inform your supervisor.

Placing

Install the appliance in a dry and well ventilated place. Avoid installation near heat sources or in direct sunlight.

Place the appliance on the floor and make sure that it is level.

Adjustable feet

Level the appliance by screwing the adjustable feet up or down.

If the appliance is to be placed on a soft surface, e.g. floorboards or a carpet, it is best to recheck whether the appliance is still level after a period of time as the underlying surface may give under the weight of the appliance.

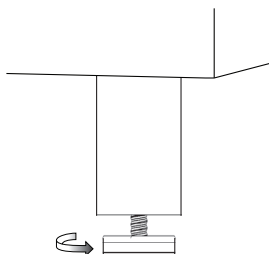


fig. 4

Room temperature

The appliance is designed and adjusted to produce an optimum temperature level in the vaccine compartment at a minimum/maximum ambient temperature of +5°C to +43°C.

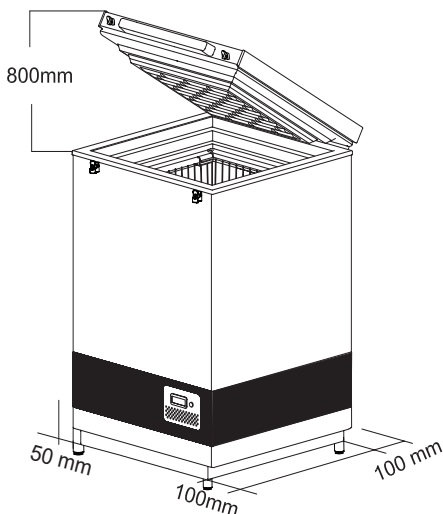


fig. 5

NOTE: There must be free access to the ventilation grille. (On the backside.)

Important:

Do not use open fire or cigarettes in the proximity of the appliance.

Ventilation

It is important that the appliance is placed well ventilated, so that air can circulate unhindered above, below, and around the appliance. Fig. 5 illustrates how the necessary air circulation can be ensured. There must be at least 30 mm clearance between the base of the appliance and the floor.

Ventilation openings in the appliance or in built-in structures must be kept clear.

Installation and start up

Connect the appliance to the solar panels according to table 1, which states the lengths and sizes of the wires used for connecting the appliances.

Standard supplied cable size and length will be 6mm² and 20m.

The thick doublet wire (Blue & red) from the solar panel must be inserted into the compressor compartment via the hole on the back – See fig. 6.

The Red Wire (+) (the opposite side of the terminal is also red) and the Blue wire (-) (the opposite side of the terminal is black) has to be connected to the terminal. –

Clean the appliance thoroughly before start up.

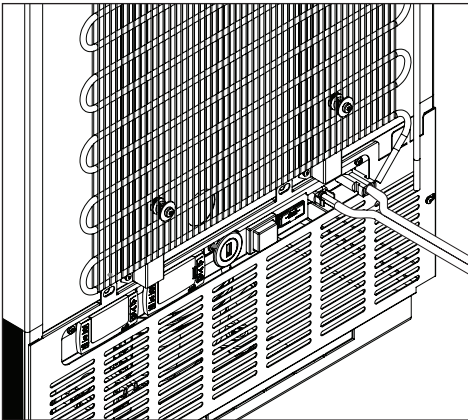


fig. 6

Size:		Max. length:	
Cross section	AWG	[m]	[ft]
[mm ²]	[Gauge]		
2,5	12	8	26
4	12	13	42
6	10	20	65
10	8	32	105

Table 1

Start up

Before the appliance is loaded with vaccine, the ice pack ballast must be frozen. The cool-down time in an ambient temperature of 43°C will be approx. 5-7 days.

When the temperature on the display of the thermometer is approx. +4°C in the morning, the appliance is ready for loading vaccine. Check the temperature in the basket. The temperature must be between +2°C and +8°C.

The vaccines must be placed and arranged as shown on page 8, fig 7.

The temperature in the vaccine compartment must always be monitored on the thermometer and be between +2°C and +8°C. The controller is factory set and should not be adjusted by unauthorized personnel.

Loading the appliance

Loading vaccines

When the temperature in the vaccine compartment has stabilized, i.e. and the temperature is between $+2^{\circ}$ and $+8^{\circ}\text{C}$ and the compressor stops and starts, vaccines can be loaded. The vaccines should be placed and arranged in the basket.

To ensure air-circulation and prevent too low vaccine temperature, direct contact to the inside walls must be avoided. The Vaccine load in the basket shall not be above top of the basket.

Do not load the basket more than 15 kg.

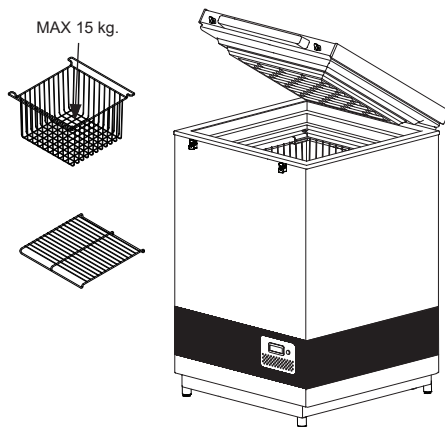


fig. 7

Do not load the vaccine above top of the handle on the basket.

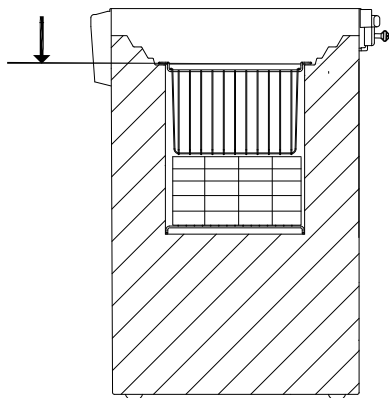
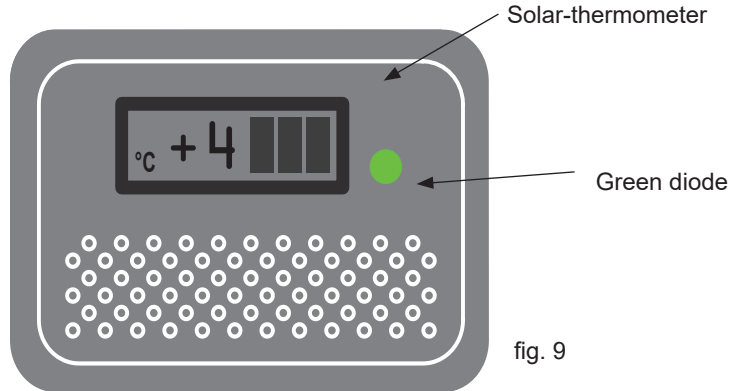


fig. 8

Control panel



The green diode indicates that the compressor is running.

Solar panels

Placing

Solar panels are always to be placed on a stable roof or bar, which is safe and easily accessible (not for the public).

The solar panels are always to be fitted according to the supplier's instructions and with the screws and fittings included or recommended by the manufacturer.

Do not place the solar panels in the shadows of buildings, trees, etc. The surfaces of the solar panels are to be turned directly towards the sun.

Specifications

The specifications which the solar panels are to observed are available in table 2.

Type :	Type 2 according E003/ PV01 direct drive
Nominal voltage:	18V
Nominal power:	360W (standard test conditions)
Number of parallel connected modules per array:	4
Warranty:	Min. 2 years
Performance guarantee:	25 years (to 80% of original value)
Certificates:	UL, TÜV or compliance with the requirements of IEC 61215

Table 2

Maintenance and cleaning

Maintenance of the VLS 024 SDD

Daily maintenance:

The temperature in the vaccine compartment must always be monitored on the thermometer every morning and evening. Please note that the vaccine in the appliance may not freeze. The temperature is factory set, and should not be adjusted by unauthorized personnel.

Please check each day that the internal lid is placed correctly and that the lid fits tightly to the appliance.

Weekly maintenance: Remove any water at the bottom of the refrigerator with a cloth.

Wipe of water droplets on the inside wall.

Monthly maintenance::

Clean grille for compressor compartment.

Clean the refrigerator with lukewarm water and mild detergent.

6 Month maintenance:

Clean condenser coils.

Maintenance of the solar panels

Weekly maintenance:

The solar panels are to be cleaned for dust once each week – or as required. Cleaning must be carried out with water using a soft cloth or wash rag.

Monthly maintenance:

Avoid shading. It should be regularly monitored that shades do not come up such as new towering trees, as this will decrease the amount of energy produced by the system.

Yearly maintenance:

Electric connections and components are to be checked and cleaned at least once a year or more often if required. Because of risk of fire, it is necessary to remove dust and dirt. Checking that PV panels are clean, free of

fractures, scratches, corrosion, moisture penetration and browning.

Cabling should be checked to ensure it is secure.

Checking the mounting hardware to ensure it is in good condition and ensuring the earth connection is continuous

Checking of junction boxes to ensure there is no water accumulation and that the integrity of lid seals, connections and clamping devices is intact.

Checking of junction boxes to ensure there is no water accumulation and that the integrity of lid seals, connections and clamping devices is intact.

All bolts and nuts are to be re-tightened 2 weeks after installation, and then once a year.

Cleaning

WARNING:

Switch off the power supply on the front of the unit.

The best way to clean the appliance is by using luke warm water with a small amount of unscented detergent. Never use cleaning agents that scour. Use a soft cloth. Rinse with clean water and dry thoroughly. It is important to prevent water from running into the control panel.

The sealing strip around the lid must be cleaned regularly to prevent discolouration and prolong service life. Use clean water. After cleaning the sealing strip, check that it continues to provide a tight seal.

If the appliance is not being used for any period of time, switch the appliance off, disconnect the power supply, empty the appliance, clean the inside, and leave the lid open to allow air circulation and prevent smells.

Condensation water drainage

Due to humidity in the air combined with cold surfaces inside the vaccine compartment, it should be expected that condensation will form on the sides of the inner lining. The condensation will be collected at the bottom, from where it regularly needs to be drained. If the bottom of the vaccine compartment is covered with condensation water, drainage/drying should be initiated.

Condensation increases if:

- Equipment is opened too frequently.
- Lid not closing properly.
- Lid gasket is defective.
- High level of humidity.

Drainage of condensation water is recommended to be performed in the morning between 7am to 9am when the ambient temperatures are expected to be lowest. Proceed as follows:

IMPORTANT!

Before condensation drainage vaccines must be moved to another working ILR or cold box with conditioned icepacks.

1. Disconnect the power supply by switching off the ON/OFF power button or disconnect plug from power socket.
2. Open the drainage plug, placed inside the vaccine compartment.
3. Place a tray under the condensation water drain.

4. When all the condensation and water droplets on the lining has been removed carefully, clean the inside cabinet, as well as lid, lid gasket, and outside of the cabinet, using water with a mild, perfume-free detergent. Dry the vaccine compartment with a soft cloth, and make sure, no moisture is remaining after cleaning.
5. Reinsert the internal drainage plug, and check lid gasket is not faulty.
6. Reconnect the power supply by the ON/OFF power button and/or reconnect power plug.
7. When appliance has regained required safe temperatures for storing vaccines 2° - 8 °C, place the vaccines in neat rows with space.

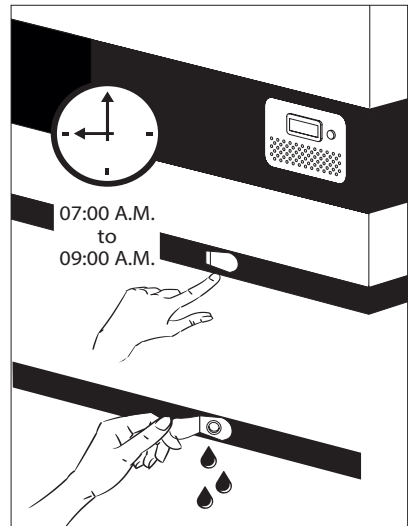


fig. 10

Trouble-shooting

Fault	Possible cause	Remedy
Compressor is not running, and the ice packs are not cold	Be patient, it is most likely that the compressor will start within a few minutes.	If this is not the case, check the following: - Check that power is connected and that the wire from the solar panel to the appliance is intact. - Check the fuse and replace it if necessary. - If the above is OK, call technical supervisor.
Compressor is running, and the temperature is too high	The ventilation grill is blocked. The lid is not closed properly. The fan in the compressor compartment is blocked or defective. The temperature in the room in which the appliance is installed is too high.	Ensure unhindered air circulation. Ensure that the lid is closed properly. Check that the fan is running, if not it should be replaced. See section: Service Shield the appliance against direct sun light and ensure more ventilation to the room.
Temperature in VLS 024 SDD is too low	To low set point on digital controller	Contact technical supervisor for adjustment.
No temperature is displayed	There is not enough light for the solar sensor.	Turn on the light.
No light in green diode during day time	Switch is turned OFF Fuse is burned Diode is defect	Turn on the switch Replace the fuse. Replace diode.

Table 3.

Warranty, spare parts and service

Warranty disclaimer

Faults and damage caused directly or indirectly by incorrect operation, misuse, insufficient maintenance, incorrect building, installation or mains connection. Fire, accident, lightning, voltage variation or other electrical interference, including defective fuses or faults in mains installations are not covered by the warranty.

Repairs performed by others than approved service centres and any other faults and damage that the manufacturer can substantiate are caused by reasons other than manufacturing or material faults are not covered by the warranty.

Please note that changes to the construction of the appliance or changes to the component equipment of the appliance will invalidate warranty and product liability, and the appliance cannot be used lawfully. The approval stated on rating plate will also be invalidated.

Transport damage discovered by the buyer is primarily a matter to be settled between the buyer and the distributor, i.e. the distributor must ensure that such complaints are resolved to the buyer's satisfaction.

Before calling for technical assistance, please check whether you are able to rectify the fault yourself. If your request for assistance is unwarranted, e.g. if the appliance has failed as a result of a blown fuse or incorrect operation, you will be charged the costs incurred by your call for technical assistance.

Spare parts

When ordering spare parts, please state the type, serial and product numbers of your appliance. This information is given on the rating plate. The rating plate contains various technical information, including type and serial numbers.

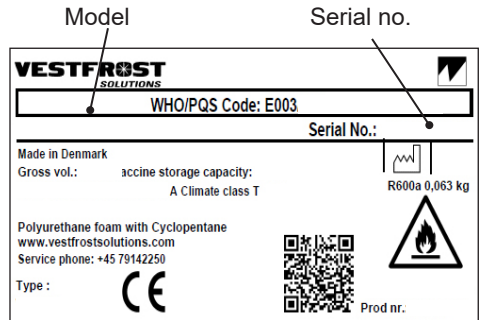



fig. 11

Disposal

Information for Users on Collection and Disposal of Old Equipment and used Batteries

 These symbols on the products, packaging, and/or accompanying documents mean that used electrical and electronic products and batteries should not be mixed with general household waste. For proper treatment, recovery and recycling of old products and used batteries, please take them to applicable collection points, in accordance with your national legislation and the Directives 2012/19/EU and 2006/66/EC.

By disposing of these products and batteries correctly, you will help to save valuable resources and prevent any potential negative effects on human health and the environment which could otherwise arise from inappropriate waste handling.

For more information about collection and recycling of old products and batteries, please contact your local municipality, your waste disposal service or the point of sale where you purchased the items.

Penalties may be applicable for incorrect disposal of this waste, in accordance with national legislation.



For business users in the European Union.

If you wish to discard electrical and electronic equipment, please contact your dealer or supplier for further information.

Information on Disposal in other Countries outside the European Union

These symbols are only valid in the European Union. If you wish to discard this product, please contact your local authorities or dealer and ask for the correct method of disposal.

Note for the battery symbol:



This symbol might be used in combination with a chemical symbol. In this case it complies with the requirement set by the Directive for the chemical involved.

AVERTISSEMENT

Puisque l'appareil contient un réfrigérant Inflammable, il est essentiel de s'assurer que les conduits du fluide réfrigérant ne sont pas endommagés.

La quantité et le type de réfrigérant utilisée dans votre appareil est indiquée sur la plaque signalétique.

La norme EN378 précise que la pièce dans laquelle vous installez votre appareil doit posséder un volume de 1 m³ par 8 g de réfrigérant avec des hydrocarbures utilisés dans l'appareil afin d'éviter la formation de mélanges gaz/air inflammable dans la pièce où l'appareil est installé dans le cas où il y aurait une fuite dans le circuit réfrigérant.

AAVERTISSEMENT:

Gardez les orifices de ventilation, situés sur la carrosserie de l'appareil ou autour de l'appareil, libres de toute obstruction.

AVERTISSEMENT:

Ne pas endommager le système de réfrigération.

AVERTISSEMENT:

Ne pas utiliser d'appareils mécaniques ou autres moyens pour

accélérer la décongélation sauf ce qui est recommandé par le fabricant.

AVERTISSEMENT:

Ne pas utiliser d'appareils électriques à l'intérieur du compartiment de stockage sauf s'ils sont recommandés par le fabricant.

AVERTISSEMENT:

L'appareil ne doit pas être exposé à la pluie.

AVERTISSEMENT:

Cet appareil peut être utilisé par des enfants de 8 ans ou plus et par des personnes dotées de capacités physiques, sensorielles ou mentales réduites ou disposant de connaissances ou d'expérience insuffisantes, sous la surveillance d'un tiers responsable de leur sécurité ou bien lorsqu'ils ont reçu des instructions liées à l'utilisation de l'appareil en toute sécurité et qu'ils ont intégré les risques qui en résultent.

AVERTISSEMENT:

Les enfants ne doivent pas jouer avec l'appareil.

AVERTISSEMENT:

Le nettoyage et l'entretien ef-

fectué par l'utilisateur ne doivent pas être accomplis par des enfants, sauf s'ils sont âgés de 8 ans et plus et qu'un adulte les surveille.

AVERTISSEMENT:

Ne pas entreposer des explosifs, tels que les aérosols avec propulseurs inflammables dans l'appareil.



AVERTISSEMENT:

Danger – risque d'incendie ou d'explosion si réfrigérant inflammable utilisé. L'appareil doit seulement être réparé par un personnel qualifié

AVERTISSEMENT:

Lors de la mise en place de l'appareil assurez-vous que son cordon d'alimentation n'est pas coincé ni endommagé

AVERTISSEMENT:

Ne placez pas plusieurs prises de courant portables ou des sources d'alimentation portables à l'arrière de l'appareil.

AVERTISSEMENT:

L'isolation de l'appareil contient un gaz propulseur inflammable. Pour plus d'informations sur la mise au rebut sûre, veuillez contacter votre service municipal d'enlèvement de déchets. Voir le chapitre «Mise au rebut».

Sommaire

AVERTISSEMENT.....	2
Introduction.....	4
Instructions de fonctionnement.....	4
Familiarisez-vous avec votre VLS 024 SDD	5
Placement de l'enregistreur de température (Fridge-Tag®)	6
Déballage et mise en place	7
Installation et mise en marche.....	8
Chargement de l'appareil	9
Panneau de contrôle	10
Panneaux solaires	10
Entretien et nettoyage	11
Drainage du condensat	12
Identification des pannes.....	13
Garantie, pièces de rechange et service après-vente.....	14
Mise au rebut.....	15

Nous nous réservons le droit d'apporter toutes modifications à nos produits



Introduction

La philosophie qui soutient le système VLS 024 SDD est :

- Simplicité
- Sécurité
- Robustesse
- Fiabilité

Le système VLS 024 SDD est composé des éléments suivants :

- Réfrigérateur VLS 024 SDD
- Panneaux solaires
- Équipement pour l'installation des panneaux solaires
- Câbles des panneaux solaires au VLS 024 SDD

Le VLS 04 Solar est un réfrigérateur pour vaccins. Il possède un compartiment pour le stockage de vaccins (+2 °C à + 8 °C) muni de 1 panier.

Avec une bonne installation et en suivant quelques séquences d'entretien, le système fonctionnera sans problème pendant plusieurs années.

Instructions de fonctionnement

Le compresseur requiert que les panneaux solaires puissent fournir une puissance supérieure à un certain seuil pour qu'il démarre. Une fois démarré, le compresseur peut fonctionner en consommant une puissance moindre que celle du seuil de démarrage. Le compresseur peut avoir besoin de quelques tentatives de démarrage pour fonctionner. Soyez donc patient !

Lors de journées avec des conditions météorologiques changeantes, le compresseur peut démarrer et arrêter plusieurs fois.

Le bruit provenant de l'appareil VLS 024 SDD est de faible intensité et est généré par le ventilateur de refroidissement du compresseur.

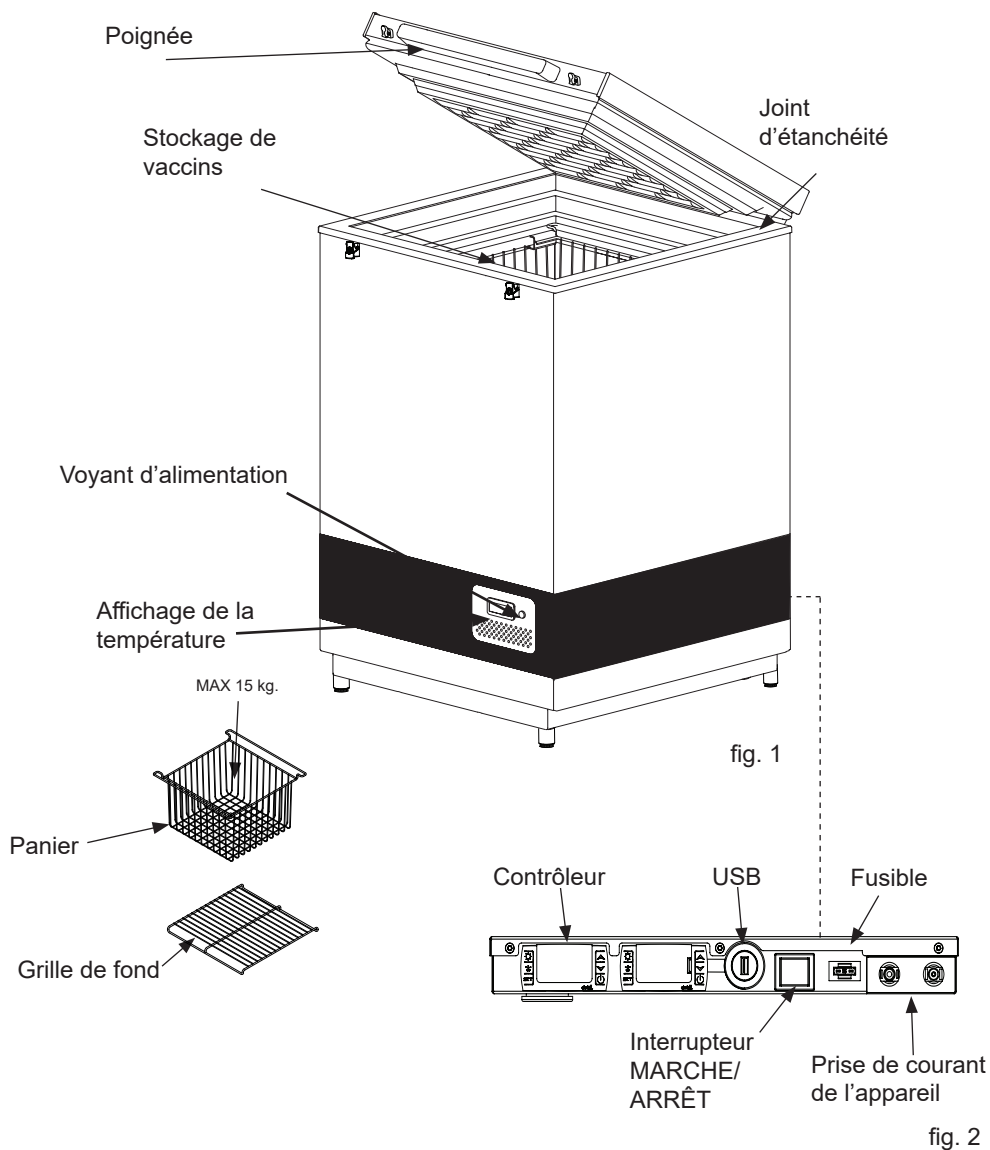
Le compresseur est pratiquement silencieux. Le ventilateur démarre un instant avant le compresseur et s'arrête un instant après son arrêt.

Le contrôleur est réglé en usine et ne doit être réglé que par le personnel autorisé.

De panier est inclus avec la fourniture de l'appareil et ils **DOIVENT** être utilisés pour le stockage des médicaments.

Code PQS	Modèle	Spécifications de performance PQS Référence de spécification :	Registre d'essai de type indépendant PQS Registre de vérification du produit :
E003/069	VLS 024 SDD	E003/RF05.3	E003/RF05-VP.3

Familiarisez-vous avec votre VLS 024 SDD



Placement de l'enregistreur de température (Fridge-Tag®)

Le Fridge-tag activé doit être immédiatement mis en place à l'endroit prédéfini. Il est recommandé et important de placer l'appareil au centre du réfrigérateur pour une observation optimale de la température.

Capteur externe

Le capteur externe doit être positionné à son emplacement prédéterminé deux heures avant l'activation de l'appareil. Il est recommandé et important de placer l'appareil au centre du réfrigérateur pour une observation optimale de la température et pour éviter les mesures incorrectes lors du démarrage de l'appareil.



fig. 3

**Fridge-tag
Support**



Déballage et mise en place

Emplacement

Installez l'appareil dans un endroit sec et bien ventilé. Évitez une installation près de sources de chaleur ou sous la lumière directe du soleil. Placez l'appareil sur le sol et assurez-vous qu'il soit au niveau.

Pieds

Mettez l'appareil à niveau en vissant ou en dévissant les pieds réglables.

Si l'appareil est placé sur une surface douce par ex. parquets ou tapis, vous devez révéifier si l'appareil est toujours à niveau après un certain temps, car la surface peut s'enfoncer sous le poids de l'appareil.

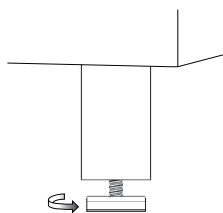


fig. 4

Température ambiante

L'appareil est conçu et réglé pour produire une température optimale dans le compartiment pour vaccins pour une température ambiante minimum/maximum de +5 °C à +43 °C.

REMARQUE : L'appareil ne doit pas être placé dans une température ambiante de moins de +5 °C.

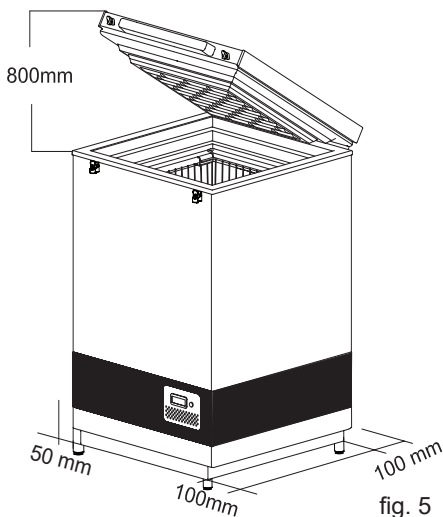


fig. 5

Ventilation

Il est important que l'appareil soit bien ventilé et que l'air puisse circuler librement par-dessus, par-dessous et autour de l'appareil. La figure 5 illustre comment l'indispensable circulation de l'air peut être assurée. Il doit y avoir au moins 30 mm d'espace entre la base de l'appareil et le sol.

Les ouvertures de ventilation sur l'appareil ou sur la structure incorporée doivent être maintenues libres de toute obstruction.

REMARQUE : L'accès à la grille de ventilation doit être libre. Sur la face arrière

Déballage

Déballer l'appareil et s'assurer qu'il n'a subi aucun dommage. Si vous constatez un dommage quelconque, veuillez informer votre superviseur.

Important : N'utilisez pas de flamme ouverte ou de cigarettes à proximité de l'appareil.

Installation et mise en marche

Raccordez l'appareil aux panneaux solaires selon le tableau 1 qui donne les longueurs et dimensions des câbles à utiliser pour raccorder l'appareil.

Standard taille du câble et de la longueur:
6mm² et 20 m

Le fil de doublet d'épaisseur (bleu et rouge) du panneau solaire doit être insérée dans le compartiment du compresseur par le trou sur le dos - voir fig. 6

Le fil rouge (+) (le côté opposé de la borne est également rouge) et le fil bleu (-) (le côté opposé de la borne est noire) doit être connectée à la borne.

Nettoyez minutieusement l'appareil avant son démarrage.

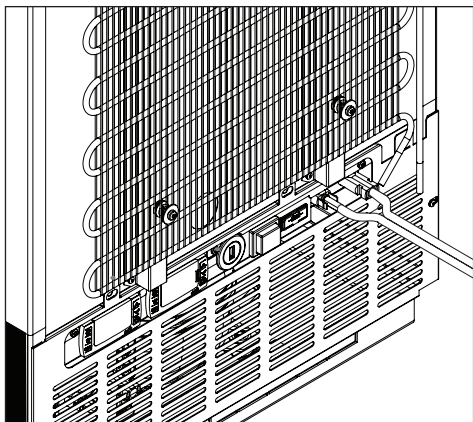


fig. 6

Dimension:		Longueur max.:	
Section transversale	AWG	[m]	[pieds]
[mm ²]	[Jauge]		
2,5	12	8	26
4	12	13	42
6	10	20	65
10	8	32	105

Tableau 1

Démarrage

Avant de mettre les vaccins dans l'appareil, le ballast de poches de glace doit être gelé. Le temps requis pour le refroidissement dans une température ambiante de 43 °C sera approximativement 5 – 7 jours.

Quand la température lue sur l'affichage du thermomètre est approximativement +4 °C le matin, l'appareil est prêt à recevoir les vaccins. Vérifiez la température dans le haut du panier. Cette température doit se situer entre +2 °C et +8 °C

Les vaccins doivent être placés et arrangés comme montré. Voir page 8.

La température du compartiment pour vaccins doit toujours être relevée sur le thermomètre et se située entre +2 °C et +8 °C. Le dispositif de commande est réglée en usine et ne doit pas être ajustée par du personnel non autorisé.

Chargement de l'appareil

Chargement des vaccins

Une fois la température du compartiment à vaccins stabilisée, que celle-ci se trouve entre +2 et +8 °C et que le compresseur s'arrête et repart, les vaccins peuvent être introduits.

Pour assurer la circulation d'air et éviter des températures trop basses dans le vaccin, un contact direct avec les parois intérieures doit être évité.

La charge du vaccin dans le panier ne doit pas être au-dessus de la poignée.

Ne chargez pas le panier plus de 15 kg.

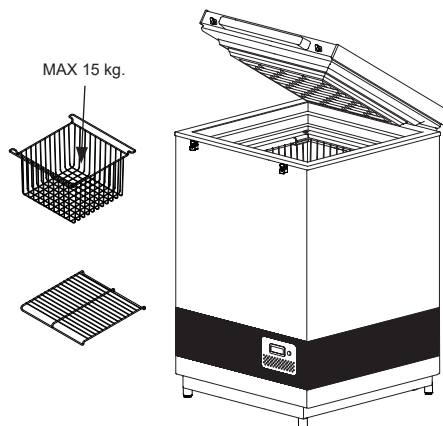


fig. 7

Ne chargez pas le vaccin ci-dessus en haut de la poignée sur le panier.

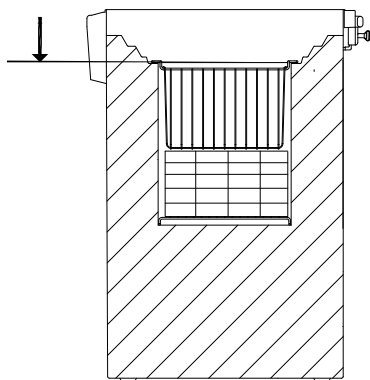
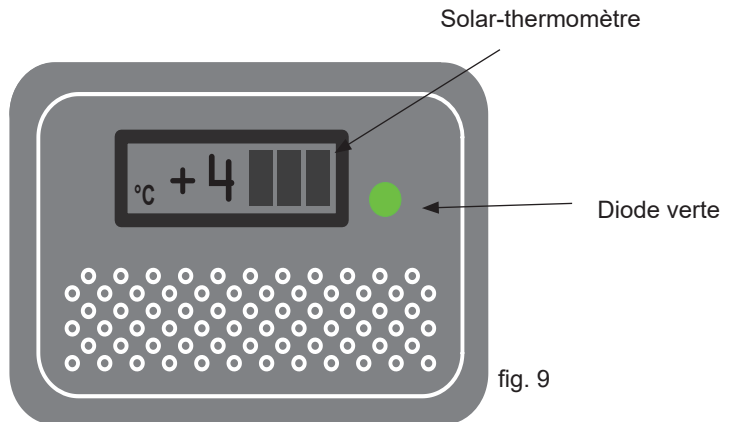


fig. 8

Panneau de contrôle



La diode verte indique que le compresseur fonctionne.

Panneaux solaires

Emplacement

Les panneaux solaires doivent toujours être placés sur un toit ou une planche stable de façon sécuritaire et facilement accessible (non pour le public).

Les panneaux solaires doivent toujours être montés en respectant les instructions du fournisseur et avec les vis et pièces de fixation incluses ou recommandées par le fabricant.

Ne placez pas les panneaux solaires à l'ombre d'édifices, d'arbres, etc. Les surfaces des panneaux solaires doivent être orientées directement vers le soleil.

Caractéristiques

Les caractéristiques obligatoires des panneaux solaires sont indiquées dans le tableau 2.

Type :	Type 2 selon E003 / PV01 entraînement direct
Tension nominale :	18 V
Puissance nominale :	360 W (conditions standards d'essai)
Nombre de modules raccordés en parallèle par batterie :	4
Garantie :	Min. 2 années
Garantie de performance :	25 années (à 80 % de la valeur d'origine)
Certificats :	UL, TÜV ou conformité avec les exigences de CEI 61215

Tableau 2

Entretien et nettoyage

Entretien de l'appareil VLS 024 SDD

Entretien journalier :

La température du compartiment pour vaccins doit toujours être relevée sur le thermomètre chaque matin et chaque soir. Veuillez noter que les vaccins dans l'appareil ne doivent pas geler. La température est réglée en usine et ne doit pas être ajustée par du personnel non autorisé.

Vérifiez chaque jour que le couvercle intérieur est placé correctement et qu'il s'ajuste étroitement à l'appareil.

Entretien mensuel :

Nettoyez la grille à l'arrière du réfrigérateur une fois par mois.

Entretien annuel :

Les raccords électriques et les composants doivent être vérifiés et nettoyés une fois par année ou plus souvent si nécessaire.

Entretien des panneaux solaires

Entretien hebdomadaire :

Les panneaux solaires doivent être nettoyés de la poussière une fois par semaine ou plus souvent si requis. Le nettoyage doit se faire avec de l'eau.

Entretien annuel :

Les raccords électriques et les composants doivent être vérifiés et nettoyés au moins une fois par année ou plus souvent si nécessaire. À cause du risque de feu, il est nécessaire d'enlever la poussière et la saleté.

Tous les boulons et les écrous doivent être resserrés 2 semaines après l'installation puis une fois par année.

Nettoyage

Couper l'alimentation électrique - sur le devant de l'appareil.

La meilleure façon de nettoyer l'appareil est d'utiliser de l'eau chaude avec une petite quantité de détergent non parfumé. N'utilisez jamais des produits de nettoyage décapants. Utiliser un chiffon doux. Rincez à l'eau claire et séchez minutieusement. Il est important d'éviter que l'eau s'écoule dans le panneau de contrôle.

Le joint d'étanchéité autour du couvercle doit être nettoyé régulièrement afin d'éviter la décoloration et pour prolonger la durée d'utilisation. Utilisez de l'eau propre. Après le nettoyage du joint d'étanchéité, vérifiez qu'il continue de fournir une bonne étanchéité.

Si l'appareil n'est pas utilisé pendant une période de temps, ouvrez l'interrupteur d'alimentation, débranchez l'appareil, videz l'appareil, nettoyez l'intérieur et laissez le couvercle ouvert pour permettre à l'air de circuler afin de prévenir les odeurs.

Drainage du condensat

À cause de l'humidité de l'air associée aux surfaces froides à l'intérieur du compartiment pour vaccins, il faut s'attendre que de la condensation se formera sur les côtés du revêtement intérieur. La condensation sera recueillie au bas d'où elle doit être régulièrement drainée. Si le bas du compartiment pour vaccins est couvert d'eau de condensation, il faut amorcer le drainage/séchage.

La condensation augmente si :

- L'appareil est trop fréquemment ouvert.
- Le couvercle ne ferme pas adéquatement.
- Le joint du couvercle est défectueux.

Le niveau d'humidité est élevé.

Le dégivrage doit être exécuté le matin entre 7 et 9 heures, juste avant que la radiation solaire soit à nouveau suffisante pour faire démarrer le compresseur et le système de réfrigération.

Procédez comme suit :

IMPORTANT!

Avant le drainage de la condensation, les vaccins doivent être déplacés vers un autre ILR en fonction ou une boîte froide avec les contenants de glace conditionnés.

1. Coupez l'alimentation par le bouton MARCHE/ARRÊT (ON/OFF) ou débranchez la fiche de la prise de courant.
2. Ouvrez le bouchon de drainage, situé à l'intérieur du compartiment.
3. Placez un bac sous le drain d'eau de condensation.
4. Quand toute la condensation et les gouttes d'eau sur le recouvrement ont été soigneusement retirées, nettoyez l'in-

térieur de l'armoire, le couvercle, le joint du couvercle et l'extérieur de l'armoire en utilisant un détergent doux non parfumé. Asséchez le compartiment pour vaccins avec un chiffon doux et assurez-vous qu'il ne reste plus d'humidité après le nettoyage.

5. Remettez en place le bouchon de drainage interne et assurez-vous que le joint du couvercle n'est pas défectueux.
6. Rétablissez l'alimentation par le bouton MARCHE/ARRÊT (ON/OFF).
7. Quand l'appareil a atteint les températures sécuritaires requises (2°- 8 °C) pour entreposer les vaccins, placez ces derniers en rangées nettes avec des espaces.

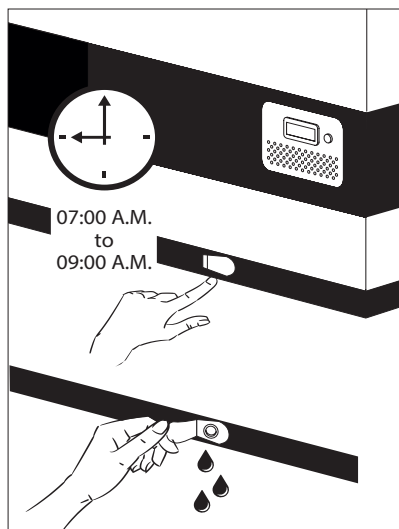


fig. 10

Identification des pannes

En cas d'anomalie	Causes possibles	Marche à suivre
Le compresseur ne fonctionne pas et les poches de glace ne sont pas froides	Patienter. Le compresseur va certainement se mettre en marche dans quelques minutes.	Si ce n'est pas le cas, procéder aux vérifications suivantes : - Vérifiez que l'alimentation est branchée et que le câble du panneau solaire à l'appareil n'est pas endommagé. - Vérifier l'état du fusible et le remplacer si nécessaire. - Si tous les éléments ci-dessus sont en ordre, appeler un responsable technique.
Le compresseur tourne, et la température est trop haute.	La grille de ventilation est bloquée. Le couvercle n'est pas fermé correctement. Le ventilateur dans le compartiment du compresseur est bloqué ou défectueux. L'appareil est placé dans une température ambiante trop élevée.	Assurer la libre circulation de l'air. S'assurer que le couvercle soit bien fermé. Vérifiez que le ventilateur fonctionne, sinon, le remplacer. Voir la section : Service Protéger l'appareil contre la lumière directe du soleil et assurer une meilleure ventilation de la pièce.
La température dans le VLS 024 SDD est trop basse	Pour point bas sur le contrôleur numérique de série	Contactez superviseur technique pour l'ajustment.
La température n'est pas affichée	Il n'y a pas assez de lumière pour le capteur solaire pour fonctionner	Allumer la lumière
Aucune lumière dans la diode verte, pendant la journée	Commutateur est désactivé Le fusible a fondu. La diode est défectueuse.	Activez l'interrupteur Remplacez le fusible Remplacez la diode.

Tableau 4.

Garantie, pièces de rechange et service après-vente

Les pannes ou les dommages dûs directement ou indirectement à une utilisation incorrecte ou fautive, un entretien insuffisant, un encastrement, une mise en place ou un raccordement incorrect, un incendie, un accident, un impact de foudre, des variations de tension et tout autre dysfonctionnement électrique dû par exemple à des fusibles ou disjoncteurs défectueux, ou à des défauts du réseau d'alimentation électrique ne sont pas couverts par la garantie. Dans le cas de réparations effectuées par des personnes autres que les réparateurs agréés par le fournisseur, et en termes généraux l'ensemble des pannes et dommages dont le fournisseur peut prouver qu'ils sont dûs à d'autres causes que des erreurs ou défauts de fabrication et de matériaux et qui, par conséquent, ne sont pas couverts par la garantie.

Veuillez noter que lorsqu'une intervention dans la construction ou d'une modification des composants de l'appareil a été faite, la garantie et la responsabilité du fournisseur cesse, et l'appareil ne peut pas être utilisé légitimement. L'autorisation figurant sur la plaque signalétique ne sera plus valable.

Les dommages dûs au transport et constatés chez le client sont à régler entre le client et le revendeur, ce qui signifie que ce-dernier doit s'assurer de la satisfaction du client.

Avant de faire appel au service après-vente, toujours contrôler les points énumérés dans la liste de recherche des pannes (voir ce point). Dans le cas où la cause de l'intervention demandée ressort de la responsabilité de la personne ayant fait appel au service après-vente, par exemple si la panne de l'appareil est due à un fusible

grillé ou à une mauvaise utilisation, c'est cette personne qui devra régler les frais entraînés par cette intervention.

Pièces de rechange

Lors de la commande de pièces de rechange, indiquer le type, numéro de produit et de production de l'appareil. Ces renseignements se trouvent sur la plaque signalétique au dos de l'appareil. La plaque signalétique renferme plusieurs informations techniques, dont les numéros de type et de série.



fig. 11

TOUJOURS faire appel à des services agréés en cas de réparation ou de remplacement !

Mise au rebut

Avis aux utilisateurs concernant la collecte et l'élimination des piles et des appareils électriques et électroniques usagés.



Apposé sur le produit lui-même, sur son emballage, ou figurant dans la documentation qui l'accompagne, ce pictogramme indique que les piles et appareils électriques et électroniques usagés doivent être séparés des ordures ménagères. Afin de permettre le traitement, la valorisation et le recyclage adéquats des piles et des appareils usagés, veuillez les porter à l'un des points de collecte prévus, conformément à la législation nationale en vigueur ainsi qu'aux directives 2012/19/EU et 2006/66/EC.

En éliminant piles et appareils usagés conformément à la réglementation en vigueur, vous contribuez à prévenir le gaspillage de ressources précieuses ainsi qu'à protéger la santé humaine et l'environnement contre les effets potentiellement nocifs d'une manipulation inappropriée des déchets.

Pour de plus amples renseignements sur la collecte et le recyclage des piles et appareils usagés, veuillez vous renseigner auprès de votre mairie, du service municipal d'enlèvement des déchets ou du point de vente où vous avez acheté les articles concernés.

Le non-respect de la réglementation relative à l'élimination des déchets est passible d'une peine d'amende.



Pour les utilisateurs professionnels au sein de l'Union européenne

Si vous souhaitez vous défaire de pièces d'équipement électrique ou électronique, veuillez vous renseigner directement auprès de votre détaillant ou de votre fournisseur.

Information relative à l'élimination des déchets dans les pays extérieurs à l'Union européenne

Ce pictogramme n'est valide qu'à l'intérieur de l'Union européenne. Pour supprimer ce produit, contactez les autorités locales ou votre revendeur afin de connaître la procédure d'élimination à suivre.



Note relative au pictogramme à apposer sur les piles:

Le pictogramme représentant une poubelle sur roues barrée d'une croix est conforme à la réglementation. Si ce pictogramme est combiné avec un symbole chimique, il remplit également les exigences posées par la Directive relative au produit chimique concerné.

ADVERTENCIA

Puesto que el aparato contiene un refrigerante inflamable, es esencial asegurarse de que no esté dañada la tubería de refrigeración.

La cantidad y el tipo de refrigerante usado en su aparato se indica en la placa de datos.

La Norma EN378 establece que el local en el que Ud. instale su aparato deberá tener un volumen de 1m³ por 8 g de refrigerante de hidrocarburos usado en los aparatos. El objetivo es evitar la formación de mezclas de aire/gas inflamable en el local donde esté situado el aparato, en caso de un escape en el circuito del refrigerante.

ADVERTENCIA:

Mantenga las aberturas de ventilación de la caja del aparato o de la estructura integrada libres de obstrucciones.

ADVERTENCIA:

No utilice dispositivos mecánicos ni otros medios para acelerar el proceso de descongelación que no sean los recomendados por el fabricante.

ADVERTENCIA:

No dañe el sistema del refrigerante.

ADVERTENCIA:

No utilice aparatos eléctricos dentro del compartimento de almacenamiento de alimentos del aparato, a menos que sean del tipo recomendado por el fabricante.

ADVERTENCIA:

No se debe exponer el aparato a la lluvia.

ADVERTENCIA:

Consejos y advertencias de seguridad. Este aparato puede ser utilizado por niños a partir de 8 años y por personas con limitaciones físicas, sensoriales o psíquicas, o que carezcan de experiencia y conocimientos, siempre y cuando sea bajo la supervisión de una persona responsable de su seguridad o que le haya instruido en el uso correcto del aparato siendo consciente de los daños que se pudieran ocasionar.

ADVERTENCIA:

No dejar que los niños jueguen con el aparato

ADVERTENCIA:

La limpieza y el mantenimiento rutinario no deben encomendarse a los niños a menos que sean mayores de 8 años y lo hagan bajo supervisión.

ADVERTENCIA:

No guarde sustancias explosivas, tales como latas de aerosol con un propelente inflamable en este electrodoméstico.



ADVERTENCIA:

Peligro de incendio o explosión si refrigerante inflamable usado. Solo Debe ser reparado por personal capacitado.

ADVERTENCIA:

al colocar el aparato, asegúrese de que el cable de energía no esté atascado o dañado.

ADVERTENCIA:

no ubique las tomas de corriente portátiles o suministros de energía portátiles en la parte trasera del aparato.

ADVERTENCIA:

El aparato utiliza gas soplado de aislamiento inflamable. Para obtener información sobre la eliminación segura, póngase en contacto con su servicio de eliminación local. Ver sección sobre eliminación.

Indice

- ADVERTENCIA2
- Introducción4
- Instrucciones de manejo.....4
- Conozca a fondo su VLS 024 SDD5
- Colocación del Fridge-Tag6
- Ubicación y desembalaje.....7
- Instalación y puesta en marcha.....8
- Carga del aparato.....9
- Panel de control.....10
- Paneles solares10
- Mantenimiento y limpieza11
- Drenaje del agua de condensación12
- Corrección de fallos.....13
- Garantía, repuestos y servicio.....14
- Eliminación de electrodomésticos15

La empresa se reserva el derecho a efectuar modificaciones

Introducción

La filosofía subyacente del sistema VLS 024 SDD es:

- Sencillez
- Seguridad
- Resistencia
- Fiabilidad

El sistema VLS 024 SDD se compone de:

- Refrigerador VLS 024 SDD
- Paneles solares
- Equipo de instalación para los paneles solares
- Cableado desde los paneles solares al VLS 024 SDD

El VLS 024 es un refrigerador de vacunas. Consta de un compartimento para almacenar vacunas (+2°C a +8°C) provisto de 3 cestas. Hay 2 cajas azules de lastre en el fondo y en la parte superior para estabilizar la temperatura.

Con una instalación correcta y siguiendo pocas rutinas de mantenimiento, el sistema funcionará sin problemas durante muchos años.

Instrucciones de manejo

El compresor necesita que los paneles solares suministren energía por encima de un determinado nivel para ponerse en marcha. Una vez en marcha, el compresor puede operar a un nivel de consumo de energía inferior al necesario para la puesta en marcha. Puede que el compresor necesite un par de intentos de puesta en marcha para empezar a funcionar. ¡Por favor, tenga paciencia!

En días de condiciones climáticas variables, puede que el compresor se encienda y se apague en varias ocasiones.

El ruido que produce el aparato VLS 024 Solar es bajo, y procede principalmente de un ventilador que enfría el compresor.

El compresor no hace prácticamente ningún ruido. El ventilador se enciende un momento antes que el compresor, y se para un momento después que el compresor.

El controlador se ajusta en fábrica y debe ajustarse únicamente por personal autorizado.

La cesta están incluidas cuando se entrega el aparato, y **DEBEN** usarse para almacenar los medicamentos.

Código PQS	Modelo	Especificaciones de rendimiento de PQS Referencia de especificación:	Protocolo independiente de prueba de PQS Protocolo de verificación de producto:
E003/069	VLS 024 SDD	E003/RF05.3	E003/RF05-VP.3

Conozca a fondo su VLS 024 SDD

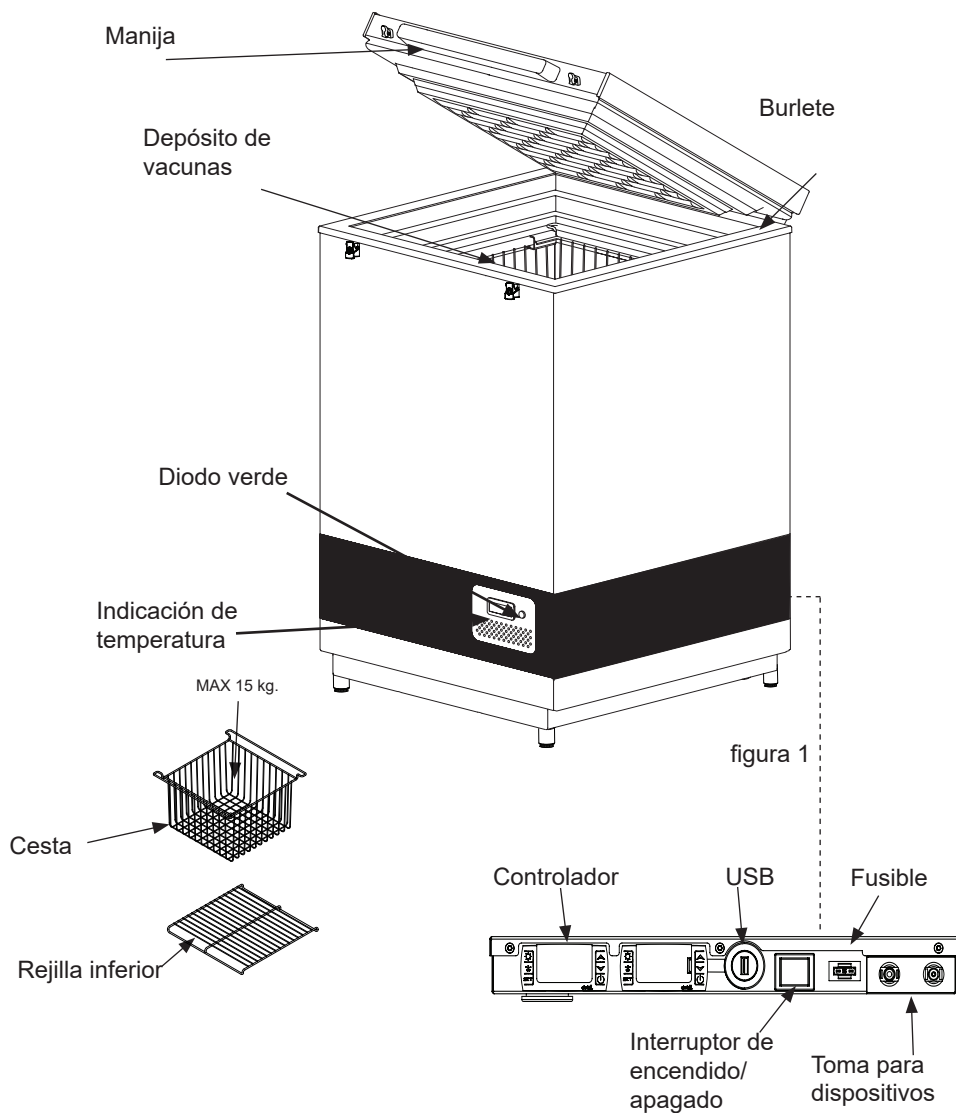


figura 2

Colocación del Fridge-Tag

El Fridge-tag activado se debe colocar inmediatamente en su ubicación predeterminada. Se recomienda y es importante colocar el dispositivo en el centro del frigorífico para una observación de temperatura óptima

Sensor externo

Dos horas antes de activar el dispositivo, el sensor externo debe estar colocado en su ubicación predeterminada. Se recomienda y es importante colocar el sensor externo en el centro del frigorífico para una observación de temperatura óptima y para evitar cualquier medición incorrecta al poner en marcha el dispositivo



figura 3

**Fridge-tag
Support**



Ubicación y desembalaje

Desembalaje

Retire el embalaje del aparato, y verifique que no tenga daños. Si observa algún daño, por favor notifíquelo a su supervisor.

Ubicación

Instale el aparato en un lugar seco y bien ventilado. Evite instalarlo en las proximidades de fuentes de calor, o expuesto a la luz solar directa. Coloque el aparato en el suelo, y asegúrese de que esté bien nivelado.

Pies ajustables

Nivele el aparato atornillando los pies ajustables hacia arriba o hacia abajo.

Si el aparato se va a colocar sobre una superficie blanda, como por ejemplo suelo de madera o una alfombra, lo mejor es volver a comprobar si el aparato sigue nivelado después de un período de tiempo, ya que la superficie subyacente puede darse, bajo el peso del aparato.

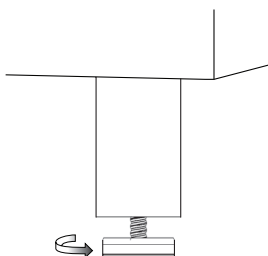


figura 4

Temperatura ambiente

El aparato está diseñado y ajustado para generar un nivel de temperatura óptimo en el compartimento de vacunas a una temperatura ambiente mínima/máxima que vaya de +5°C a +43°C.

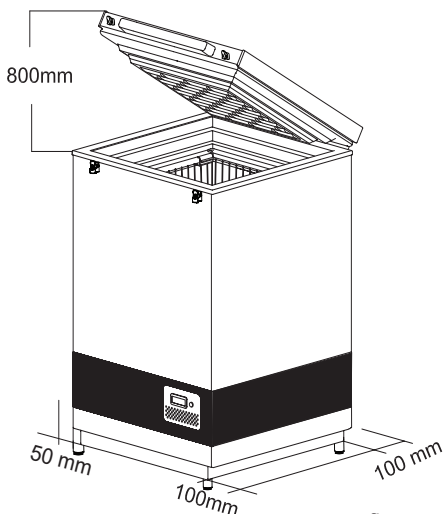


figura 5

AVISO: No debe colocarse el aparato en temperaturas ambiente inferiores a +5°C.

Ventilación

Es importante que el aparato esté bien ventilado, y que el aire pueda circular sin obstáculos por encima, por debajo y alrededor del aparato. La figura 4 ilustra cómo se puede asegurar la circulación de aire necesaria. Debe haber una separación libre mínima de 30 mm entre la base del aparato y el suelo.

Deben mantenerse libres de obstáculos las aberturas de ventilación del aparato o de las estructuras integradas.

AVISO: No debe obstaculizarse el acceso a la rejilla de ventilación. Busque en la parte trasera

Importante: No encender hogueras ni consumir cigarrillos en las proximidades del aparato.

Instalación y puesta en marcha

Conecte el aparato a los paneles solares de acuerdo con la tabla 1, que indica las longitudes y los tamaños de los cables usados para conectar los aparatos.

El tamaño y la longitud de cable estándar: 6mm² y 20m.

El cable grueso jubón (azul y rojo) desde el panel solar debe ser insertada en el compartimiento del compresor a través del agujero en la parte posterior - Ver fig. 6

El cable rojo (+) (el lado opuesto de la terminal también es de color rojo) y el cable azul (-) (el lado opuesto del terminal es de color negro) tiene que ser conectado al terminal.

Limpie a fondo el aparato antes de ponerlo en marcha.

Tamaño:		Longitud máx.:	
Corte transversal	Calibre AWG	[m]	[pies]
[mm ²]	[Calibre]		
2,5	12	8	26
4	12	13	42
6	10	20	65
10	8	32	105

Tabla 1

Puesta en marcha

Antes de introducir las vacunas en el aparato, debe estar congelado el lastre de paquetes de hielo. La duración de la refrigeración en una temperatura ambiente de 43°C será de aprox. 5-7 días.

Cuando la temperatura en la pantalla del termómetro sea de aprox. +4°C por la mañana, el aparato estará listo para cargar las vacunas. Compruebe la temperatura en la cesta de arriba. Estas temperaturas deberán estar entre los +2°C y los +8°C.

Deberá colocar y organizar las vacunas, como se muestra, Consulte la página 8.

Deberá controlarse siempre la temperatura del compartimento de vacunas en el termómetro, y deberá estar entre +2°C y +8°C. El controlador ha sido ajustada en fábrica, y no debería ser ajustada por personal no autorizado.

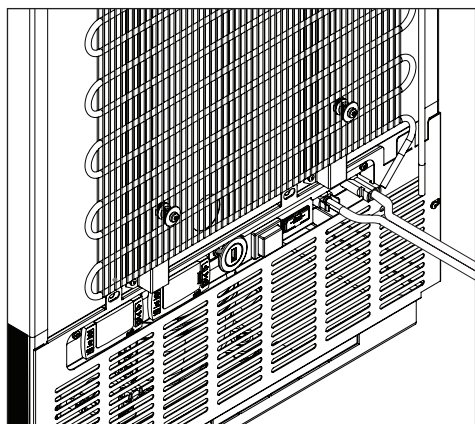


figura 6

Carga del aparato

Carga de vacunas

Cuando la temperatura en el compartimiento de vacunas se haya estabilizado, es decir, la temperatura se encuentre entre +2° y +8 °C y el compresor se apague y se encienda, se podrán cargar las vacunas. Se recomienda colocar las vacunas ordenadamente en la canasta.

Para garantizar la circulación de aire y evitar demasiado baja temperatura de la vacuna, el contacto directo con las paredes interiores debe ser evitado.

La vacuna no debe ser cargada por encima de la parte superior de la cesta.

No cargue la cesta más de 15 kg.

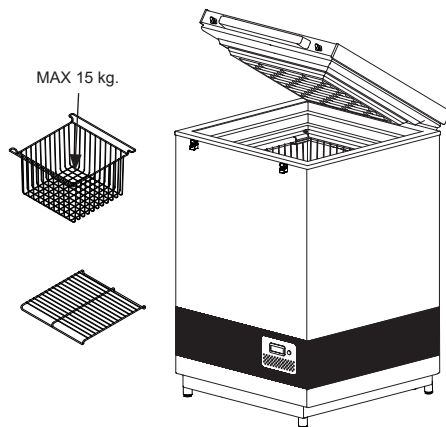


figura 7

No cargue la vacuna sobre la parte superior de las cestas.

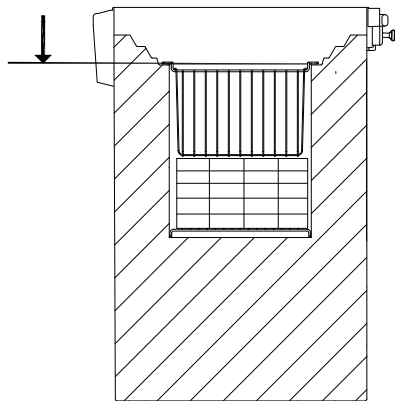


figura 8

Panel de control

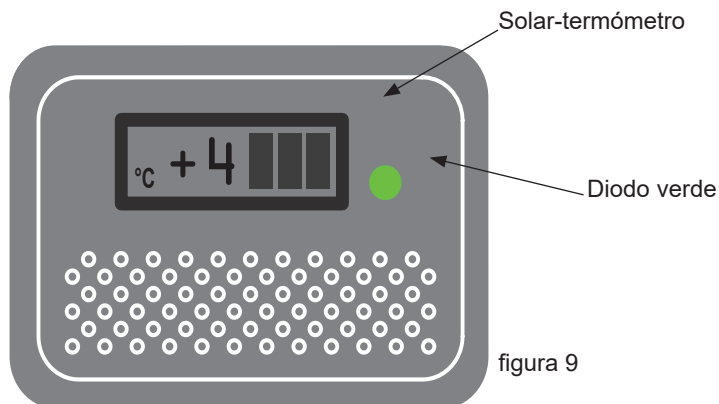


figura 9

El diodo verde indica que el compresor está funcionando.

Paneles solares

Ubicación

Siempre deben colocarse los paneles solares sobre un techo o barra estables, que sean de acceso fácil y seguro (no para el público).

Siempre deben instalarse los paneles solares siguiendo las instrucciones del proveedor, y con los tornillos y accesorios de acople incluidos o recomendados por el fabricante.

No coloque los paneles solares a la sombra de edificios, árboles, etc. La superficie de los paneles solares debe orientarse directamente hacia el sol.

Especificaciones

Las especificaciones que deben respetar los paneles solares están disponibles en la tabla 2.

Tipo:	Tipo 2 según E003 / PV01, accionamiento directo
Voltaje nominal:	18V
Potencia nominal:	360W (condiciones de prueba estándar)
Número de módulos paralelos conectados por hilera:	4
Garantía:	Mín. 2 años
Garantía de rendimiento:	25 años (hasta el 80% del valor original)
Certificados:	UL, TÜV o cumplimiento de los requisitos de IEC 61215

Tabla 2

Mantenimiento y limpieza

Mantenimiento del aparato VLS 024 SDD

Mantenimiento diario:

La temperatura en el compartimento de vacunas siempre debe controlarse en el termómetro cada mañana y cada noche. Por favor, recuerde que la vacuna dentro del aparato no debe congelarse. La temperatura ha sido ajustada en fábrica, y no debería ser ajustada por personal no autorizado.

Por favor, controle cada día que la tapa interna esté correctamente colocada, y que la tapa se ajuste firmemente al aparato.

Mantenimiento mensual:

Limpiar la pantalla en la parte trasera del refrigerador una vez al mes.

Mantenimiento anual:

Deben controlarse y limpiarse las conexiones y componentes eléctricos una vez al año, o con mayor frecuencia si es necesario.

Mantenimiento de los paneles solares

Mantenimiento semanal:

Debe limpiarse el polvo de los paneles solares una vez por semana – o con la frecuencia necesaria. Debe llevarse a cabo la limpieza con agua.

Mantenimiento anual:

Deben controlarse y limpiarse las conexiones y componentes eléctricos al menos una vez al año, o con mayor frecuencia si es necesario. Debido al riesgo de incendios, es necesario eliminar el polvo y la suciedad.

Deben volverse a tensar todos los tornillos y tuercas 2 semanas después de la instalación, y en adelante una vez al año.

Limpieza

Desconecte la alimentación eléctrica en la parte frontal de la unidad.

El mejor modo de limpiar el aparato es usando agua caliente, con una pequeña cantidad de detergente sin perfume. Nunca use agentes de limpieza abrasivos. Utilice un paño blando. Enjuague con agua limpia, y séquelo completamente. Es importante evitar que el agua penetre en el panel de mandos.

Es necesario limpiar regularmente el burlete alrededor de la tapa para prevenir la decoloración, y para prolongar la vida útil de servicio. Use agua limpia. Después de limpiar el burlete, verifique que éste continúe proporcionando un sello hermético.

Si no se va a usar el aparato durante un tiempo, desenchúfelo, desconecte la alimentación eléctrica, vacíe el aparato, limpie el interior, y deje la tapa abierta para permitir la circulación de aire e impedir que se formen malos olores.

Drenaje del agua de condensación

Debido a la humedad del aire combinada con las superficies frías dentro del compartimiento de vacunas, es de esperar que la condensación se forme en los lados del forro interior. La condensación se recogerá en el fondo, desde donde regularmente se necesita drenar. Si la parte inferior del compartimiento de vacunas esta cubierto con agua de condensación, debe iniciarse el drenaje y secado.

La condensación aumenta si:

- El equipo se abre con demasiada frecuencia
- La tapa no se cierra correctamente
- La junta de la tapa está defectuosa
- El alto nivel de humedad

El drenaje de agua debe realizarse en la mañana entre las 7am hasta las 9am, justo antes de que la radiación solar vuelva a ser lo suficiente potente como para arrancar el compresor y el sistema de refrigeración.

Proceda de la siguiente manera:

IMPORTANTE!

Antes del drenaje de agua de condensación, las vacunas deben ser trasladadas a otro ILR o a una caja fría acondicionada con paquetes de agua.

1. Desconecte la fuente de energía, apagando el botón de encendido/apagado o desconecte el enchufe de la toma de corriente.. I
2. Abra la tapone de drenaje. Se encuentra en el interior del compartimiento
3. Coloque una bandeja debajo del desagüe de agua.
4. Cuando se haya quitado cuidadosamente toda el agua y gotas en el forro, limpie el gabinete interior, así como la tapa,

la junta de la tapa y fuera del aparato usando agua con un detergente sueva y sin perfume. Seque el congelador con un paño sueva y asegúrese de que no quede humedad después de la limpieza.

5. Vuelva a insertar las tapone de drenaje, y verifique que la empaquetadura de la tapa no esté defectuosa.
6. Vuelva a conectar la fuente de energía con el botón de encendido/apagado.
7. Cuando el aparato haya recuperado las temperaturas seguras requeridas para el almacenamiento de las vacunas 2° - 8 °C, coloque las vacunas en hileras ordenadas con espacio.

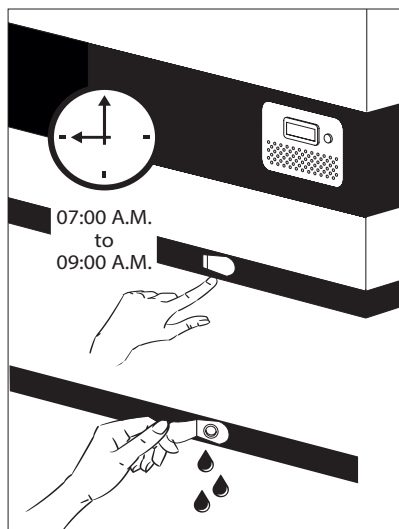


figura 10

Corrección de fallos

Fallo	Causa posible	Solución
El compresor no está en funcionamiento, y los paquetes de hielo no están fríos	Espere, lo más probable es que el compresor vuelva a funcionar a los pocos minutos.	Si esto no sucediera, compruebe lo siguiente: - Compruebe que esté conectada la alimentación eléctrica, y que el cable que va del panel solar al aparato esté intacto. - Controle el fusible, y cámbielo si es necesario. - Si todo lo arriba indicado está bien, llame a su supervisor técnico.
El compresor está en funcionamiento, y la temperatura es demasiado alta	La rejilla de ventilación está bloqueada. La tapa no está cerrada debidamente. El ventilador dentro del aparato está bloqueado o defectuoso. El ventilador dentro del compresor está bloqueado o defectuoso. La temperatura del local donde se ha instalado el aparato es demasiado alta.	Verifique que no haya obstrucciones para la circulación del aire. Verifique que la tapa esté debidamente cerrada. Controle que el ventilador esté en funcionamiento, de lo contrario debería cambiarse. Véase la sección: Servicio Controle que el ventilador esté en funcionamiento, de lo contrario debería cambiarse. Véase la sección: Servicio Proteja el aparato de la luz solar directa, y asegúrese de que el local esté más ventilado.
La temperatura dentro del VLS 024 SDD es demasiado baja	El punto de ajuste es baja en el controlador digital	Contacto Supervisor para el ajuste
No se indica ninguna temperatura en la pantalla	No hay suficiente luz para el solar del sensor.	Encienda la luz.
No hay luz en el diodo verde	Veza que se apaga El fusible está quemado El diodo está defecto	Encienda el interruptor de Reemplace el fusible Reemplace el diodo.

Tabla 4

Garantía, repuestos y servicio

Exclusiones de la Garantía

Fallos y daños causados directa o indirectamente por uso erróneo o indebido, mantenimiento insuficiente, integración o instalación erróneos o conexiones eléctricas defectuosas. Incendio, accidente, rayos, variaciones de voltaje u otras interferencias eléctricas, incluidos fusibles defectuosos o fallos en las instalaciones de suministro eléctrico.

La Garantía no cubre reparaciones realizadas por centros de servicio distintos de los autorizados, ni aquellos fallos y daños que el fabricante demuestre que se deben a causas distintas a defectos de fabricación o de materiales.

Por favor, tenga en cuenta que los cambios en la construcción del aparato o en sus componentes cancelarán esta Garantía y la responsabilidad de producto, y no podrá utilizarse el aparato legalmente. También quedará cancelada la autorización concedida en la placa de datos de servicio.

Los daños ocurridos durante el transporte y descubiertos por el comprador son principalmente un asunto a resolver entre el comprador y el distribuidor, es decir, que el distribuidor debe asegurarse de que se resuelvan las quejas a satisfacción del comprador.

Antes de llamar solicitando asistencia técnica, por favor intente resolver el fallo Ud. mismo (vea Localización de Fallos). Si su solicitud de asistencia técnica es injustificada, por ejemplo, si el electrodoméstico ha fallado como resultado de un fusible fundido o por un uso erróneo, deberá abonar los costes incurridos con su llamada de solicitud de asistencia técnica.

Repuestos

Al hacer pedidos de repuestos, le sugerimos indicar el tipo y los números de serie y de producto del electrodoméstico. Esta información aparece en la placa de identificación del fabricante colocada en la parte trasera del electrodoméstico. La placa del fabricante contiene diversa información técnica, incluido el tipo de aparato y el número de serie.



figura 11

Eliminación de electrodomésticos

Información para Usuarios sobre la Recolección y Eliminación de aparatos viejos y baterías usadas.



Estos símbolos en los productos, embalajes y/o documentos adjuntos, significan que los aparatos eléctricos y electrónicos y las baterías no deberían ser mezclados con los desechos domésticos. Para el tratamiento apropiado, la recuperación y el reciclado de aparatos viejos y baterías usadas, por favor, observe las normas de recolección aplicables, de acuerdo a su legislación nacional y a las Directivas 2012/19/EU y 2006/66/EC.

Al desechar estos aparatos y baterías correctamente, Usted estará ayudando a preservar recursos valiosos y a prevenir cualquier potencial efecto negativo sobre la salud de la humanidad y el medio ambiente que, de lo contrario, podría surgir de un manejo inapropiado de los residuos.

Para mayor información sobre la recolección y el reciclado de aparatos y baterías viejos, por favor, contacte a su comunidad local, su servicio de eliminación de residuos o al comercio donde adquirió estos aparatos. Podrán aplicarse penas por la eliminación incorrecta de estos residuos, de acuerdo a la legislación nacional.



Para usuarios empresariales en la Unión Europea

Si usted desea descartar aparatos eléctricos y electrónicos, por favor contacte a su distribuidor o proveedor a fin de obtener mayor información.

Información sobre la Eliminación en otros Países fuera de la Unión Europea

Estos símbolos sólo son válidos dentro de la Unión Europea. Si desea desechar este producto, póngase en contacto con las autoridades locales o con su distribuidor para que le informen sobre el método correcto de eliminación.

Nota sobre el símbolo de la batería:

Este símbolo puede ser usado en combinación con un símbolo químico. En este caso, el mismo cumple con los requerimientos establecidos por la Directiva para los químicos involucrados



ОСТОРОЖНО

Поскольку данное изделие содержит горючий хладагент, важно не допускать повреждения трубопроводов хладагента.

Количество хладагента и тип, используемого в вашем изделии, указано на табличке с паспортными данными.

Стандартом EN378 регламентируется, что помещение, в котором вы устанавливаете изделие, должно иметь объем 1 м³ на 8 г углекислого хладагента, используемого в устройстве. Это требование имеет своей целью избежать образования горючей газо-воздушной смеси в помещении, где находится изделие, в случае нарушения герметичности контура хладагента.

ОСТОРОЖНО:

Следите за тем, чтобы вентиляционные отверстия в шкафу изделия или встроенной конструкции оставались открытыми.

ОСТОРОЖНО:

Для ускорения процесса размораживания не разрешается

использовать никаких механических предметов или других средств, кроме рекомендованных изготовителем.

ОСТОРОЖНО:

Оберегайте контур хладагента от повреждений.

ОСТОРОЖНО:

Не используйте электрические приборы внутри охлаждаемого отсека хранения, исключая устройства рекомендованного изготовителем типа.

ОСТОРОЖНО:

Не оставляйте изделие под дождем.

ОСТОРОЖНО:

Дети до 8 лет, лица с ограниченными физическими, умственными и психическими возможностями, а также лица, не обладающие достаточными знаниями о приборе, могут использовать прибор только под присмотром лиц, ответственных за их безопасность, или после подробного инструктажа и осознания всех опасностей, связанных с эксплуатацией прибора.

ОСТОРОЖНО:

Детям не разрешается играть с прибором.

ОСТОРОЖНО:

Очистка и обслуживание прибора не должны производиться детьми, это допустимо, только если они старше 8 лет и их контролируют взрослые.

ОСТОРОЖНО:

Оберегайте контур хладагента от повреждений.

ОСТОРОЖНО:

Не храните взрывоопасные вещества, такие как аэрозольные баллоны с горючей топлива в этом приборе.



ОСТОРОЖНО:

Есть опасность опасность пожара или взрыва легковоспламеняющихся хладагента используется. Должен только быть отремонтированы специально обученным персоналом.

ОСТОРОЖНО:

При установке аппарата убедитесь, что шнур питания не защемлен или не поврежден.

ОСТОРОЖНО:

Не размещайте блок переносных розеток или переносные источники питания на задней панели устройства.

ОСТОРОЖНО:

В приборе используется воспламеняющийся изолирующий газ. За информацией о безопасной утилизации обращайтесь в местную службу утилизации. См. Раздел «Утилизация».

- Храните ключи в отдельном месте, недоступном для детей
- Прежде чем приступать к техническому обслуживанию или мойке изделия, отключите источник электропитания
- В случае повреждения шнура питания изготовитель, его сервисный агент или иные квалифицированные лица должны заменить его во избежание опасности
- Образование инея на внутренней стенке испарителя и верхних частях является нормальным явлением. Поэтому размораживание изделия следует осуществлять во время обычной мойки или технического обслуживания
- Следует иметь в виду, что внесение изменений в конструкцию изделия приводит к полному аннулированию гарантии и обязательств производителя.

Содержание

ОСТОРОЖНО.....	2
Введение	4
Указания по эксплуатации.....	5
Общий вид холодильного ларя VLS 024 SDD	6
Размещение Fridge-tag	7
Размещение и распаковка	8
Установка и ввод в эксплуатацию.....	9
Загрузка устройства	10
панель управления	11
Солнечные панели.....	11
Техническое обслуживание и мойка	12
Слив конденсата	13
Поиск и устранение неисправностей	14
Гарантия, запасные части и сервис	15
Утилизация.....	15

Оставляет за собой право внесения изменений в технические характеристики без предварительного уведомления

Введение

В основу конструкции системы VLS 024 SDD положены следующие принципы:

- Простота
- Безопасность
- Прочность
- Надежность

Система VLS 024 SDD содержит:

- Холодильный ларь VLS 024 SDD
- Солнечные панели
- Оборудование для установки солнечных панелей
- Провода для соединения солнечных панелей с ларем VLS 024 SDD

VLS 024 SDD- это холодильный ларь для хранения вакцины. Он имеет один отсек хранения вакцины (+2... +8°C) с корзиной. При условии правильного монтажа и соблюдения регламента технического обслуживания система безотказно прослужит многие годы.

ПQS Код	Модель	Технические характеристики PQS Ссылка на спецификацию:	Независимый PQS протокол типовых испытаний Протокол проверки продукта:
E003/069	VLS 024 SDD	E003/RF05.3	E003/RF05-VP.3

Указания по эксплуатации

Для запуска компрессора необходимо, чтобы солнечные панели могли вырабатывать энергию выше определенного порогового значения. После запуска компрессор может работать с потребляемой мощностью, меньшей, чем пусковая.

Для запуска компрессора может потребоваться пара попыток. Поэтому будьте терпеливы!

В те дни, когда происходит изменение погодных условий, компрессор может запускаться и останавливаться несколько раз.

Ларь VLS 024 SDD имеет низкий уровень шума, преимущественно обусловленный шумом вентилятора, охлаждающего компрессор.

Компрессор работает почти бесшумно. Вентилятор запускается чуть раньше компрессора и останавливается чуть позже компрессора.

Настройка температуры осуществляется в заводских условиях, и ее регулировка силами неквалифицированного персонала не допустима.

Корзины входят в комплект поставки изделия и требуют **ОБЯЗАТЕЛЬНОГО** использования при хранении лекарственных препаратов.

Общий вид холодильного ларя VLS 024 SDD

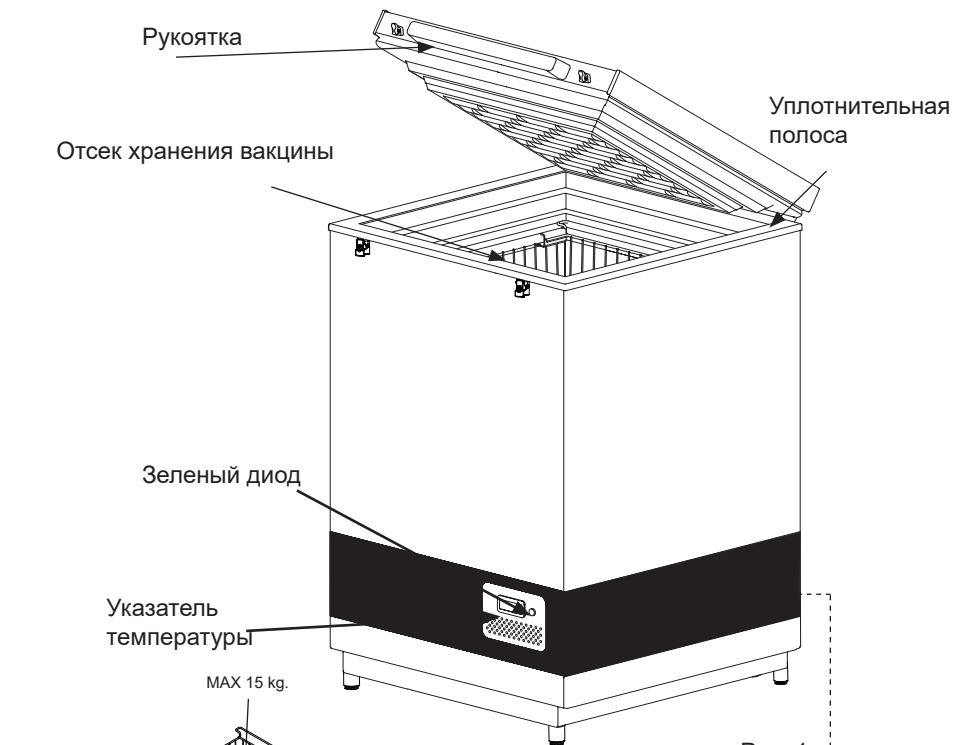


Рис. 1

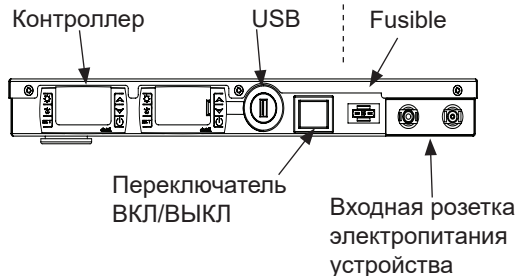


Рис. 2

Размещение Fridge-tag

Активизированный термоиндикатор Fridge-tag необходимо немедленно разместить в предварительно определенном месте. Настоятельно рекомендуется размещать устройство в центре холодильника, чтобы обеспечить надлежащий температурный мониторинг.

Наружный датчик

За два часа до активации устройства поместите наружный датчик в предварительно выбранное место. Настоятельно рекомендуется разместить наружный датчик в центре холодильника, чтобы получить оптимальные показания температуры и избежать неправильных показаний при запуске устройства



рис. 3

**Fridge-tag
Support**



Размещение и распаковка

Размещение

Установите изделие в сухом, хорошо вентилируемом месте. Не допускайте установки вблизи источников тепла или в местах прямого падения солнечных лучей. Поставьте изделие на пол и убедитесь в том, что оно выровнено в горизонтальной плоскости.

Регулируемые ножки

Выровняйте прибор, провернув регулируемые ножки вверх или вниз.

Если прибор должен быть установлен на мягкой поверхности, например, на половых досках или ковровом покрытии, лучше всего через некоторое время пере проверить, находится ли прибор по-прежнему на одном уровне, так как подстилающая поверхность может просесть под весом прибора.

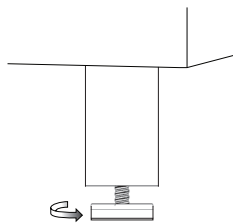


Рис. 4

Температура в помещении

Конструкция изделия и его настройка рассчитаны на обеспечение оптимальной температуры в отсеке хранения вакцины при минимальной/максимальной температуре окружающего воздуха +5...+43°C.

ПРИМЕЧАНИЕ: Изделие нельзя размещать в местах с температурой окружающего воздуха ниже +5°C.

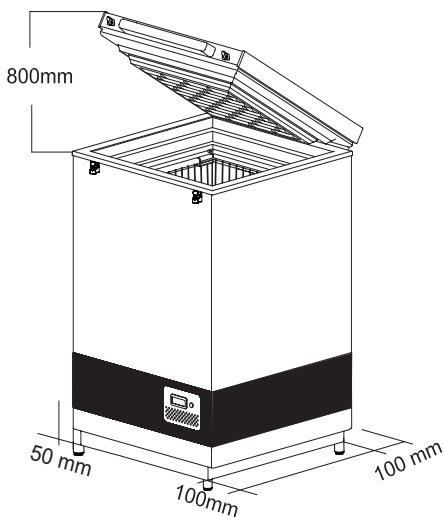


Рис. 5

Вентиляция

Важно обеспечить хорошую вентиляцию изделия и возможность беспрепятственной циркуляции воздуха над ним, под ним и вокруг него. На рис. 4 ниже показано, как можно обеспечить необходимую циркуляцию воздуха. Между днищем изделия и полом должен быть зазор не менее 30 мм.

Следите за тем, чтобы вентиляционные отверстия на изделии или его внутренних конструктивных элементах оставались незасоренными.

Распаковка

Распакуйте ларь и проверьте его на наличие повреждений. В случае обнаружения каких-либо повреждений поставьте в известность своего начальника.

Внимание: Не пользуйтесь открытым огнем и не курите вблизи изделия.

Установка и ввод в эксплуатацию

Установка

Подсоедините изделие к солнечным панелям, руководствуясь таблицей 1, где приведены значения длины и сечения проводов, используемых для подсоединения.

Стандартный размер кабеля и длина: 6мм² и 20м.

Толстая дублет провод (синий и красный) от солнечной панели должен быть вставлен в компрессорного отсека через отверстие на задней - см. рис. 6

Красный провод (+) (противоположная сторона терминала также красный) и синий провод (-) (противоположная сторона терминала черный) должен быть подключен к терминалу. -

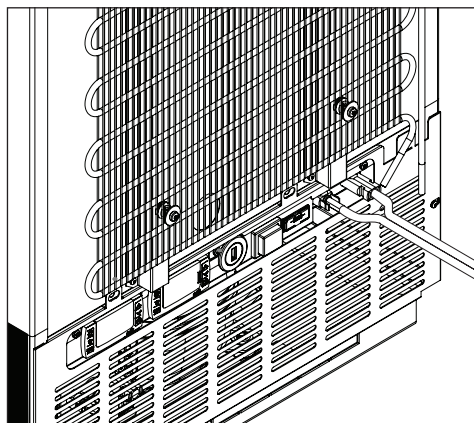


Рис. 6

Сечение:		Макс. длина:	
Площадь поперечного сечения	AWG		
[mm ²]	[калибр]	[м]	[футы]
2,5	12	8	26
4	12	13	42
6	10	20	65
10	8	32	105

Таблица 1

Ввод в работу

Прежде чем положить в изделие вакцину, балласт из ледяных кассет должен замерзнуть. Время охлаждения при температуре окружающего воздуха 43°C составит приблизительно 5-7 дней.

Когда температура на термометре составит утром приблизительно +4°C, ларь готов к укладке вакцины. Проверьте температуру в корзине. Эта температура должна находиться в диапазоне +2...+8°C.

Вакцина должна укладываться в корзины. См. стр. 9

Температуру в отсеке хранения вакцины необходимо всегда контролировать по термометру и поддерживать в диапазоне +2...+8°C. Настройка температуры осуществляется в заводских условиях, и ее регулировка силами неквалифицированного персонала не допустима.

Загрузка устройства

Загрузка вакцины

Когда температура в отделении для вакцин стабилизируется, то есть установится в диапазоне от 2° до 8°С, и компрессор включается и выключается, можно загружать вакцину.

Для обеспечения циркуляции воздуха и предотвращения слишком низкой температуре вакцины, прямой контакт к внутренним стенкам следует избегать. Вакцина нагрузки в корзинах не должна быть выше верхней части корзины.

Не загружайте корзину более 15 кг.

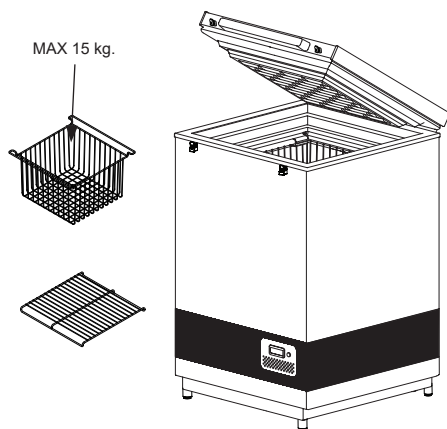


Рис. 7

Не загружайте вакцины выше верхней части корзины.

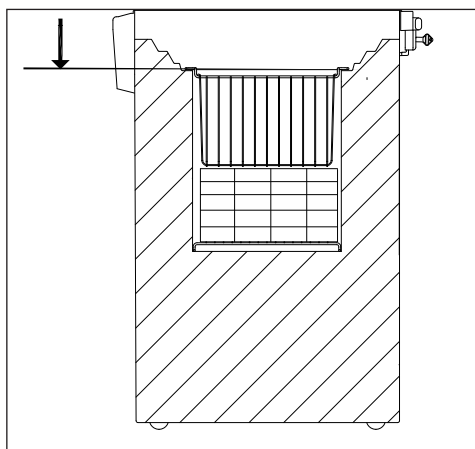


Рис. 8

панель управления

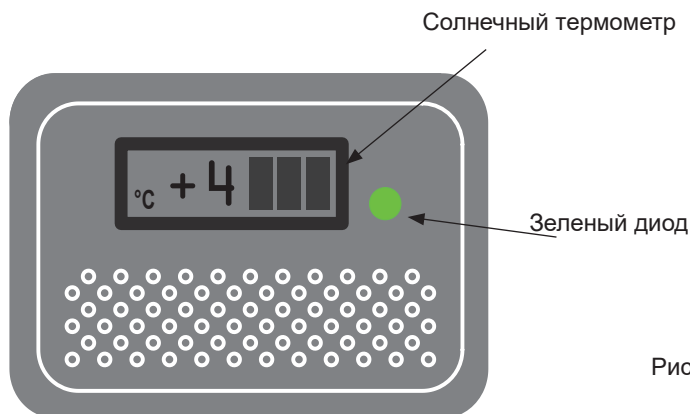


Рис. 9

Зеленый диод указывает на то, что компрессор работает

Солнечные панели

Размещение

Солнечные панели всегда следует размещать на прочной крыше или балке, где обеспечивается безопасность и удобство доступа (не для посторонних лиц).

При установке солнечных панелей обязательно соблюдайте указания их поставщик и используйте винты и крепеж, входящие в комплектацию или рекомендованные производителем.

Не размещайте солнечные панели в тени зданий, деревьев и т.д. Поверхность солнечных панелей должна быть обращена прямо на солнце.

Технические характеристики

Технические характеристики, которыми должны обладать солнечные панели, приведены в таблице 2.

Тип:	Тип 2 согласно E003 / PV01 - прямой привод. Тип.
Номинальное напряжение:	18 В
Номинальная мощность:	360 Вт (стандартные условия испытаний)
Число параллельно соединяемых модулей на одну батарею:	4
Гарантия:	Мин. 2 года
Гарантия работоспособности:	25 лет (с понижением показателей до 80% первоначального значения)
Сертификаты:	UL, TÜV или соответствие требованиям МЭК 61215

Таблица 2

Техническое обслуживание и мойка

Техническое обслуживание изделия VLS 024 SDD

Ежедневное техническое обслуживание:

Каждое утро и каждый вечер следует проверять температуру в отсеке хранения вакцины. Следует иметь в виду, что вакцина внутри ларя не должна замерзать. Настройка температуры осуществляется в заводских условиях, и ее регулировка силами неквалифицированного персонала не допустима.

Каждый день проверяйте, что крышка закрыта правильно и плотно прилегает к изделию.

Ежемесячное техническое обслуживание:

Ежемесячная очищайте решетку на задней морозильнике груди.

Ежегодное техническое обслуживание:

Ежегодно или при необходимости более часто следует проверять и очищать электрические компоненты и соединения.

Техническое обслуживание солнечных панелей

Еженедельное техническое обслуживание:

Солнечные панели следует очищать от пыли каждую неделю или по мере необходимости. Очистка должна проводиться с использованием воды.

Ежегодное техническое обслуживание:

Ежегодно или при необходимости

более часто следует проверять и очищать электрические компоненты и соединения. Необходимость удаления пыли и грязи обусловлена возможностью возникновения пожара.

Все гайки и болты следует подтянуть через 2 недели после монтажа, а затем делать это раз в году.

Мойка

Перед мойкой отключите электропитание на передней панели устройства.

Для мойки изделия лучше всего использовать теплую воду с небольшим количеством непахучего моющего средства. Никогда не применяйте чистящие средства для удаления отложений. Используйте мягкую ткань. Выполните споласкивание чистой водой и тщательную сушку. Важно не допустить попадания воды на панель управления.

Уплотнительную полосу по периметру крышки следует регулярно очищать для того, чтобы избежать ее обесцвечивания и продлить срок службы. Используйте чистую воду. После очистки уплотнительной полосы убедитесь в том, что она по-прежнему обеспечивает герметичное закрытие ларя.

В случае вывода изделия из эксплуатации на какой-то период времени выключите его, отсоедините от источника питания, извлеките все содержимое, выполните мойку внутри и оставьте крышку открытой для циркуляции воздуха и предотвращения появления запахов.

Слив конденсата

Из-за влажности воздуха в сочетании с холодными поверхностями внутри отсека для вакцин следует ожидать, что на боковых стенках внутренней обшивки будет образовываться конденсат. Конденсат будет стекать на дно, откуда его необходимо регулярно сливать. Если нижняя часть отсека для вакцин покрывается конденсированной водой, следует ее слить и вытереть дно насухо.

Конденсация увеличивается, если:

- Оборудование открывается слишком часто.
- Крышка закрывается неплотно.
- Прокладка крышки прохудилась.
- Очень высокий уровень влажности.

Слив конденсата должен производиться утром с 7.00 до 9.00, незадолго до того, как солнечное излучение снова станет достаточно мощным, чтобы запустить компрессор и систему охлаждения.

Действуйте следующим образом:
ВАЖНО!

Перед сливом конденсата вакцины следует перенести в другую рабочую ILR или холодную камеру с замороженными емкостями со льдом.

1. Отключите питание, нажав кнопку ON/OFF. Важно! Отключите питание ТОЛЬКО отсека для вакцин.
2. Откройте дренажную пробку, расположенную внутри отсека для вакцины.
3. Поместите поддон под водоотвод конденсата.

4. Когда весь конденсат и капли воды на обшивке полностью стекут, очистите внутреннюю часть камеры, а также крышку, прокладку крышки и внешнюю часть камеры, используя раствор воды с мягким, детергентом без запаха. Вытрите насухо отсек для вакцин мягкой тканью и убедитесь, что после чистки не осталось влаги.
5. Вставьте на место дренажную пробку внутри камеры и проверьте исправное состояние прокладки крышки.
6. Подключите питание, нажав кнопку ON/OFF.
7. Когда аппарат восстановит безопасные температуры в пределах 2-8 ° C, требуемые для хранения вакцин, разместите вакцины в аккуратно в несколько рядов, выдерживая расстояние между рядами.

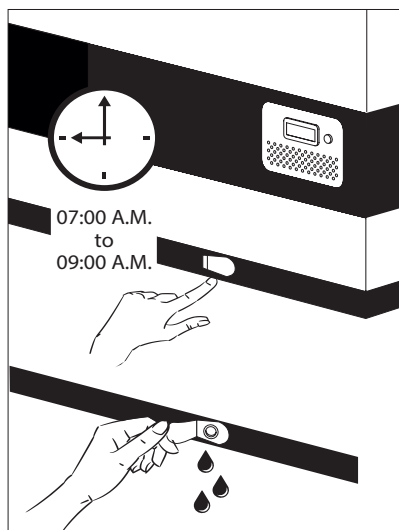


Рис. 10

Поиск и устранение неисправностей

Неисправность	Возможная причина	Способ устранения
Компрессор не работает, и ледяные кассеты не холодные	Не проявляйте нетерпения, скорее всего компрессор запустится в течение ближайших минут.	В противном случае выполните следующие проверки: <ul style="list-style-type: none"> - Убедитесь в том, что питание подключено и провод, идущий от солнечной панели к изделию, не поврежден. - Проверьте плавкий предохранитель и замените его при необходимости. - Если указанные выше действия не дали результата, вызовите технического специалиста.
Компрессор работает, и температура слишком высока	Засорена вентиляционная решетка. Крышка не закрыта надлежащим образом. Вентилятор в отсеке компрессора заклинило или он вышел из строя. Температура помещения, в котором установлено изделие, слишком высока.	Обеспечьте нормальную циркуляцию воздуха. Закройте крышку надлежащим образом. Проверьте работу вентилятора. Если вентилятор не работает, его необходимо заменить. См. раздел: Сервис. Защитите изделие от падения на него прямых солнечных лучей и улучшите вентиляцию в помещении.
Температура в ларе VLS 024 SDD слишком низкая	Уставка на цифровом контроллере слишком низкая	Связаться с руководителем для регулировки
Температура не отображается	Солнечный термометр не работает.	Замените солнечный термометр.
Зеленый диод не светится	Коммутатор отключен Плавкий предохранитель перегорел Диод неисправен	Включите переключатель Заменить плавкий предохранитель номиналом. Заменить диод.

Таблица 4

Гарантия, запасные части и сервис

Отказ от гарантийных обязательств

Поломки и повреждения, обусловленные напрямую или косвенно несоблюдением правил эксплуатации, использованием не по назначению, неудовлетворительным техническим обслуживанием, неправильным механическим или электрическим монтажом. Пожары, аварии, удары молнии, перепады напряжения или другие электрические нарушения, включая дефектные плавкие предохранители или неисправности питающей сети.

Следует иметь в виду, что внесение изменений в конструкцию изделия или комплектацию изделия ведет к аннулированию гарантии и ликвидации ответственности за качество изделия, а само изделие нельзя будет эксплуатировать законно. Сертификация, указанная на табличке с паспортными данными, также станет недействительной.

Вопросы, связанные с транспортными повреждениями, обнаруженными покупателем, как правило, решаются между покупателем и дистрибьютором, т.е. дистрибьютор обязан удовлетворить претензии покупателя.

Прежде чем обращаться к специалистам за оказанием технической помощи, выясните, не можете ли вы устранить неисправность самостоятельно. Если на ваше обращение за оказанием помощи гарантия не распространяется, например, если изделие вышло из строя в результате перегорания плавкого предохранителя или нарушения правил эксплуатации, вам будет выставлен счет, исходя из расходов на оказание технической помощи.

Запасные части

При заказе запасных частей укажите тип, Продукт и заводской номера вашего изделия. Эта информация приведена на табличке с паспортными данными на задней стенке изделия. Табличка с паспортными данными содержит различную техническую информацию, включая тип и серийные номера.

Примечание: При необходимости ремонта или замены вашего изделия обращайтесь только в официальные сервисные центры!



Рис. 11

Утилизация



Информация по обращению с отходами для стран, не входящих в Европейский Союз



Действие данных символов распространяется только на Европейский Союз. Если Вы собираетесь выбросить данный продукт, узнайте в местных органах власти или у дилера, как следует поступать с отходами такого типа.

警告

作为该设备含有可燃性致冷剂，它是必不可少的，以确保制冷剂配管不被损坏。

标准EN378指定在其中您安装设备的房间必须有每8克的电器使用碳氢制冷剂的1立方米的体积。这是为了避免可燃气体/空气混合物在房间里的设备位于的在制冷剂回路泄漏的事件的形成。在您的设备中使用的制冷剂的量标在铭牌上。

警告：保持设备柜或内置结构通风口畅通无阻。

警告：不要使用制造商推荐之外的其它机械装置或其它手段加速解冻过程。

警告：不要损坏制冷系统。

警告：不要在冷藏室内使用电器，除非是制造商推荐的那种。

警告：不要将设备暴露在雨中。

警告：8 岁以上儿童以及因生理、感官或精神原因或缺乏经验或知识的人员使用本设备时，必须有安全负责人监督或指导，确保他们能够安全使用本设备，并了解相关危险。

警告：儿童不可以将本设备当做玩具，不得在设备上或周围玩耍。

警告：除非年满 8 周岁且有人监督，否则儿童不得清洗本设备或参与日常维护。

警告：请勿将爆炸性物质，如喷雾罐，在此设备中的易燃推进剂。



警告：危险火灾或爆炸的危险。使用可燃性制冷剂。只能由经过培训的人员进行维修。

警告：定位电器时，确保电源线未被绊住或损坏。

警告：切勿在电器附近放置多个便携式电源插座或便携式电源。

警告：器具使用易燃的绝缘吹气有关安全处置的信息，请联系您当地的处置服务。请参阅“处置”部分。

内容

- 钥匙应始终放置在一个单独的，儿童无法接触的地方。
- 维修和清洁之前，家电断开电源供电
- 如果电源线损坏，必须由制造商，其服务代理人，或类似的合格人员更换，以避免危险。
- 内蒸发器壁和上部结霜是自然现象。因此，设备在正常清洗或维修时应解冻。
- 请注意，更改设备的结构将取消所有担保和产品责任。

保留更改规格，无须事先通知的权利。

说明.....	2
操作指南.....	4
熟悉你的VLS024SDD 太阳能制冷机.....	5
放置温度显示器	6
包装和打开包装.....	7
安装和启动.....	8
装载设备.....	9
控制面板.....	10
除霜.....	11
保养和清洁.....	12
故障查寻.....	13
担保，零件和服务.....	14
处理.....	14



操作指南

压缩机要求太阳能板能提供电能超过一定的启动量才能开动。一旦开动，压缩机可以使用低于开动时的能量消耗运行。压缩机可能需要尝试开动几次后才会开始运转。所以请耐心等待一点！

在气候环境多变的日子里，压缩机可能会开动和停止多次。

太阳能制冷机的噪音很小，噪音主要来自冷却压缩机的风扇。

压缩机几乎没有噪音。风扇比压缩机早开动一会，晚停止一会。

温度是在产品出厂时设置的，不能由非授权人员调整。

提供设备时包括篮架，一定要使用这些篮架储存。

说明

太阳能制冷机系统的哲学：

- 简单
- 安全
- 坚固
- 可靠

VLS 024 太阳能制冷机系统包括：

- 太阳能制冷机
- 太阳能板
- 太阳能板的安装设备
- 从太阳能板到太阳能制冷机的电缆线

VLS 024 太阳能制冷机是疫苗制冷机。它有一个配备有3个储藏架的疫苗储藏室(+2 ° C 到+8 ° C)。

只要正确地安装设备，遵循简单的保养常规，本设备可以运转很多年，不会出故障。

PQS Code	Model	PQS Performance specifications Specification reference:	PQS Independent type-testing protocol Product verification protocol:
E003/069	VLS 024 SDD	E003/RF05.3	E003/RF05-VP.3

熟悉你的太阳能制冷机 VLS 024 SDD

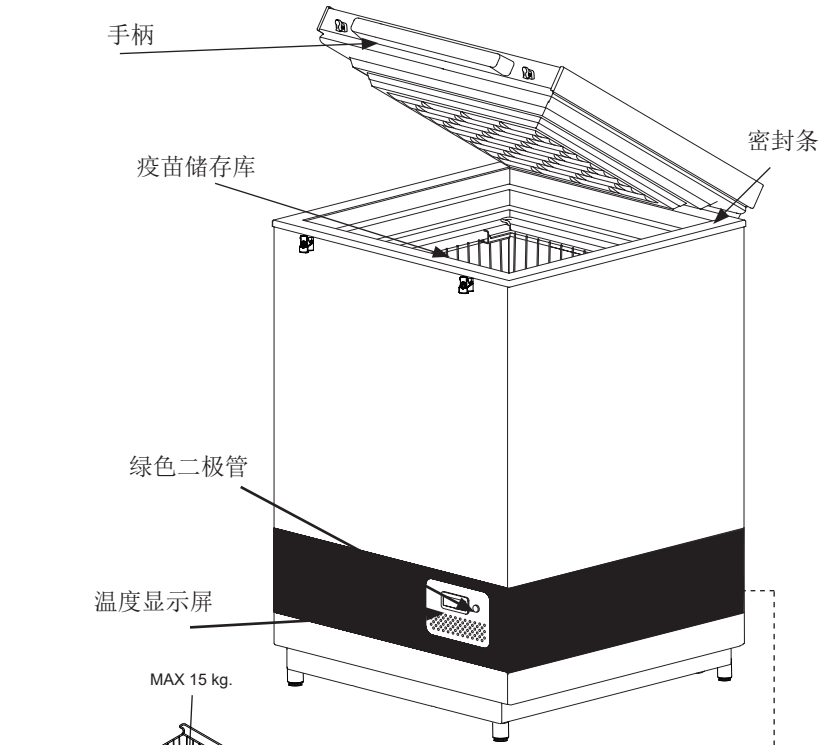


图 1

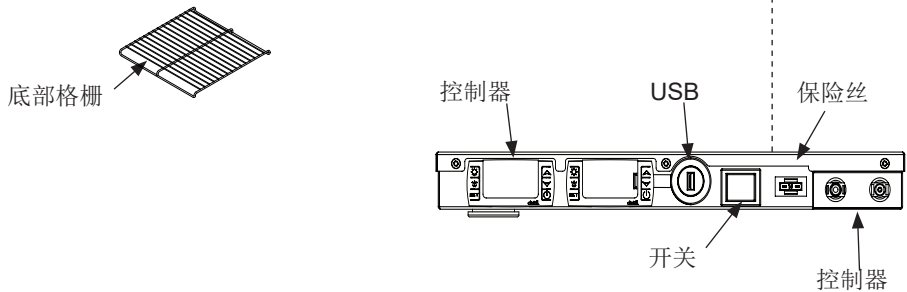


图 2



放置温度显示器

我们建议把温度显示器放置于疫苗冰箱的正中位置。



图 3

**Fridge-tag
Support**



包装和打开包装

放置

将设备安装在干燥的通风良好的地方。避免将设备安装在热源附近或者阳光直接照射的地方。将设备放置在地面上并确保其平整。

可调节脚

通过向上或向下拧紧可调节脚，将器械调平。

如果要将器械置于柔软的平面（例如，地板或地毯）上，最好每隔一段时间核查器械是否仍处于水平状态，因为器械的重量可能会将平面下压。

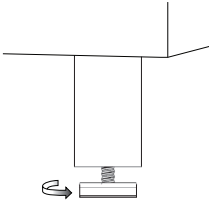


图 4

室温

本设备是按最大/最小的环境温度在+5 °C到+43 °C时疫苗室产生最佳温度水平而设计和调整的。

注意: 设备不应放置在环境温度为+5 °C以下的地方。

空气流通

设备通风良好，上下和周围的空气能够畅通无阻地流通非常重要。下列图3显示如何能够确保必要的空气流通。

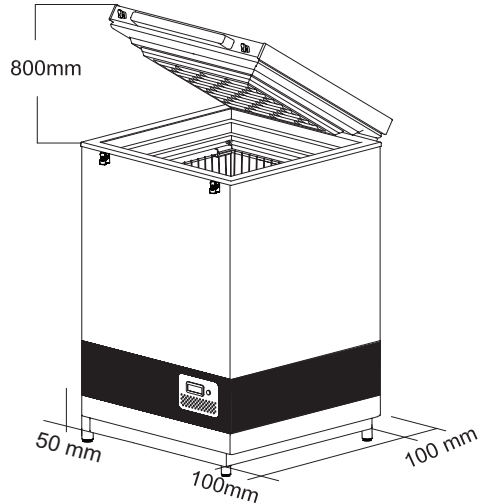


图 5

设备的基座和地面之间应有最少30mm的间隙。

设备的通风开口和内置结构应保持清洁。

注意: 隔板应能自由接近，无阻碍。

打开包装

打开设备包装，检查设备是否受损。如果你发现设备受损，应通告你的监察员。

注意: 不要在设备附近使用明火或者吸烟。



安装和启动

安装

按照表格1连接太阳能板和设备，表格1上注明有电缆线的长度和规格。

該標準電纜尺寸和長度：6平方毫米和20M。

从太阳能电池板的厚双峰导线（蓝色和红色）必须被插入到压缩机室通过在背面的孔 - 见图。 4

启动之前将设备彻底地清洁干净。

启动

设备装载疫苗冰包前整流器必须冷冻。 在环境温度为43° C的地方冷却时间为大约5-7天。

当温度调节器显示屏上的早晨温度为大约+4 °C 时设备装载疫苗就绪。 检查篮架上部的温度。 其温度应在+2 °C和+8 °C之间。

疫苗应放置并安排在篮架里， 参见第6页。

应随时通过温度调节器监控疫苗室的温度，其温度应在+2 °C和+8 °C之间。 本温度是产品出厂时设置的，不应由非授权人员调整。

规格:		最大长度:	
横切面	AWG	[m]	[ft]
[mm ²]	[Gauge]		
2,5	12	8	26
4	12	13	42
6	10	20	65
10	8	32	105

表格 1

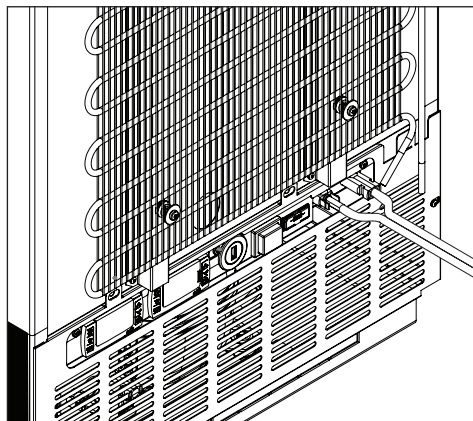


图 6

装载设备

装载疫苗

当疫苗室的温度稳定下来时，即温度在 $+2^{\circ}\text{C}$ 至 $+8^{\circ}\text{C}$ 之间，压缩器停止又开始时，便可以装载疫苗了。疫苗应安置在疫苗篮内。（图 7）

为了确保空气流通，并防止过疫苗的低温度，必须避免直接接触到内壁。在筐疫苗负荷不得筐顶部以上。

装载篮子的重量不要超过 15 公斤

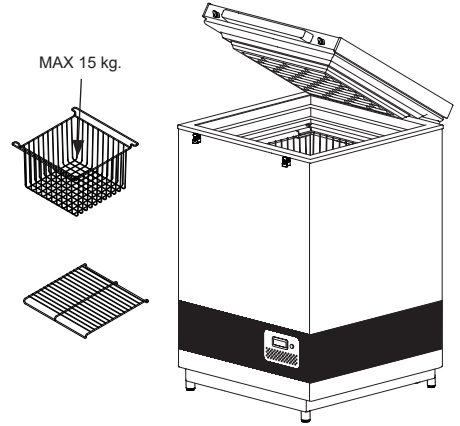


图 7

不要装入筐顶部以上的疫苗。

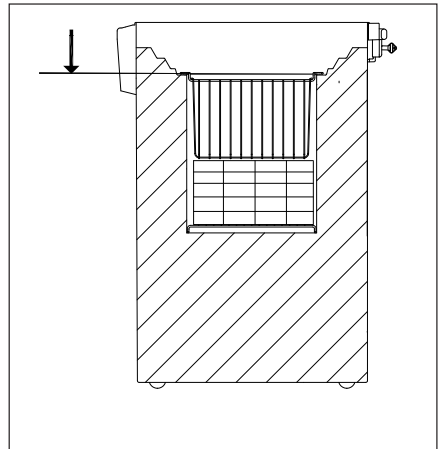


图 8

控制面板

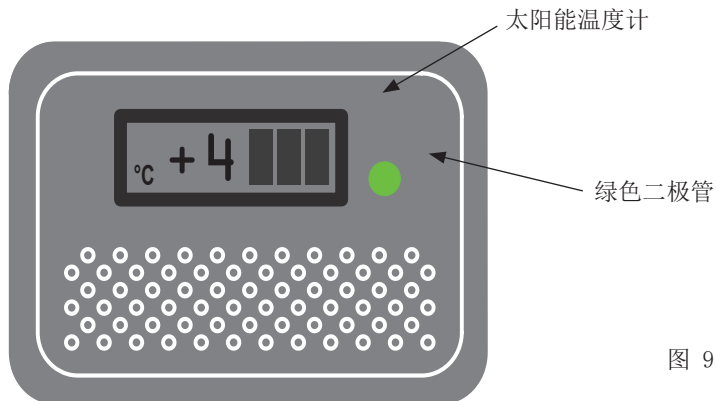


图 9

绿色二极管指示压缩机正在运行

太阳能板

放置

太阳能板应始终安装在牢固的屋顶上，或者栏杆上，安全并容易接近（不是对公众）。

太阳能板的安装应始终按照供应商的说明进行，采用厂商提供的，或者推荐的螺丝和装配件。

不要将太阳能板安装在建筑物，树木等阴影处。太阳能板的表面直接面对太阳。

规格

表格 2上提供有太阳能板的规格。

類型。:	2型根據 E003/PV01直接驅動。
额定电压:	18V
额定电源:	360W (标准测试条件)
每行平行安装模块的数量:	4
担保:	最少 2 年
设备表现担保:	25 年 (至原始值的 80%)
证书:	UL, TÜV 或符合 IEC 61215要求。

表格 2

除霜

存储的水包和空气中的水分将逐渐导致冷柜内部结霜和结冰。薄薄的一层霜和冰并不会影响冷柜的性能，但过厚的冰层可能会导致冰柜无法令人满意地冷却水包。可使用塑料刮板去除少量的松散冰霜。

请勿使用电气设备或尖锐物体，因为它们可能会损坏电器内部。

当冰霜层的厚度超过 4-5 mm 时，应对冷柜进行彻底的除霜。

除霜应在早晨 7am 至 9am 进行，就在太阳光照即将恢复足够强之前，启动压缩机并运行制冷系统。

请按照下列步骤进行：

1. 关闭 ON/OFF 按钮断开电源。重要提示！仅关闭疫苗柜的电源。（见图 10）
2. 打开两个放泄塞。一个位于冷柜内部，另一个位于电器右前方。
3. 在冷凝水放泄孔下放置一个托盘。

4. 小心地除去内衬上的所有冷凝水液滴冰后，用水以及中性无香清洗剂清洁机柜内壁以及盖子、盖子垫片和机柜外壁。使用软布擦干疫苗柜，确保清洁后没有残留的水分。
5. 重新装回内部和外部放泄塞，检查盖子垫片有无缺损。
6. 按下 ON/OFF 按钮重新接通电源。
7. 当电器恢复到存储疫苗要求的安全温度 $2^{\circ} - 8^{\circ} \text{C}$ 时，将疫苗整齐地放成几排并留出间隙。

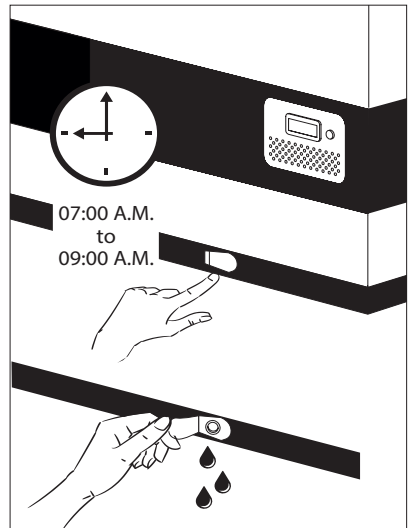


图 10



保养和清洁

太阳能制冷机的保养

日常保养 VLS024 SDD:

疫苗室温度应当随时通过温度调节器早晚进行监察。注意，设备中的疫苗不能冷冻。温度是产品出厂时设置的，不应由非授权人员进行调整。

请每天检查内部盖子是否放置妥当，盖子和设备装配是否紧密。

月保养:

清洁冰箱每月一次上栅格板的背面侧。

年保养:

检查电气连接和元件，每年最少清洁一次，如有必要清洁多次。

太阳能板的保养

周保养

每周为太阳能板除尘一次，或者根据需要除尘。清洁应当用水进行。

年保养:

检查电气连接和元件，每年最少清洁一次，如有必要清洁多次。因为有火灾危险，有必要清除灰尘和脏污。

安装2周后应再度紧固所有的螺栓和螺帽，随后一年紧固一次。

清洁

清洁前应切断电源 — 在单位的前面

清洁设备的最好方式是使用热水 加少量的不含芳香剂的清洁剂。绝对不能使用冲刷的清洁剂。使用柔软的布片沾上干净的水彻底地擦干。重要的是应防止水流进控制板。

盖子周围的密封条应当定期清洁，防止退色，延长使用寿命。使用干净的水 清洁密封条后检查其是否仍旧密封。

如果设备一段时间不用，应关闭设备，切断电源，卸空设备，清洁内部，打开盖子让其通风，防止产生怪味。

故障查寻

故障	可能的原因	补救
压缩机不运行，冰包不冷。	耐心点，很可能压缩机几分钟内就会开动。	如果不开动，请检查下列情况： - 检查电源是否接上，从太阳能板到设备的电缆线是否正常。 - 检查保险丝，若有必要进行更换。 - 如果上述情形正常，请给监察员打电话。
压缩机在运行中，温度太高。	通风格板堵死。 盖子关闭不妥。 压缩机室风扇堵死或残损。 安装设备的室内温度过高。	确保空气流通不受阻碍。 确保盖子关闭适当。 检查风扇是否运行，若不运行应当更换。参见：服务 遮挡设备，使之不受直接的阳光照射，并确保室内更好的通风。
VLS024 SDD 制冷机的温度过低。	要在数字控制器的低设置点	串接监事调整
无温度显示。	太阳能温度调节器功能不良。	更换太阳能温度调节器。
绿色二极管无光亮	开关已关闭 保险丝烧毁 二极管有缺欠	打开开关 更换保险丝 更换二极管

表格 4

担保，零件和服务

质量担保免责条款

由于直接或间接的不当操作，使用错误，保养不良，不正确的建筑，安装或连接产生的故障和损害，火灾，事故，雷电，电压变化或者其它电气干扰，包括不良保险丝或者主设备的故障不包括在本担保中。

由本公司批准的服务中心之外的其他人进行的修理，以及其它厂商可以证实的生产或者材料之外的原因造成的故障不包含在本担保中。

请注意，更改设备的结构，或者更换设备的部件将导致本担保和产品责任无效，并且设备不能合法使用。等级牌上注明的批准文字也将无效。

由买方发现的运输损坏主要由买方和批发商之间解决，也就是说，批发商应确保这种投诉应当得以解决，使买方满意。

在打电话寻求技术帮助之前请检查你自己是否能排除故障。如果你要求的帮助不在本担保范围内，也就是说，如果设备出现故障是因为保险丝断裂，或者操作不当，将向你收取因为你打电话寻求帮助而产生的费用。

零件

订购零件时请说明设备的类型，系列和产品号。这些信息标注在等级板上。等级板上有各种技术信息，包括类型和系列号。

處理



以下設備回收符號僅在歐盟國家有效。歐盟以外的國家的廢物處置資訊如果要廢棄產品，請與當地機構或經銷商聯繫，獲取正確的廢棄方法。



對於歐盟的商業用戶如果你希望拆卸電氣和電子設備，請和你的經銷商和供應商聯繫，獲取進一步的資訊。

其它國家有關處理這些廢物的資訊，請與您當地政府機關或者銷售商聯繫，詢問處理的正確方法。

請注意電池的符號

與化學符號組合，並符合法令對涉及的化學元素的規定。

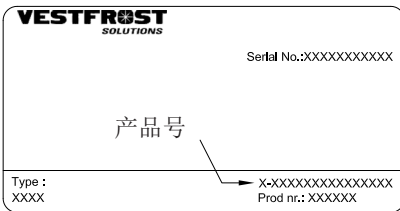


图 11

التخلص من الأجزاء القديمة والمستعملة

معلومات للمستخدمين عن كيفية جمع الأدوات القديمة والبطاريات المستعملة والتخلص منها



للمستخدمين التجاريين بالاتحاد الأوروبي. في حال رغبتك في التخلص من الأدوات الكهربائية والإلكترونية، يرجى الاتصال بتاجرِك أو موزعك للحصول على مزيد من المعلومات.

[معلومات عن كيفية التخلص في بلاد أخرى خارج الاتحاد الأوروبي]

تسري هذه الرموز في الاتحاد الأوروبي فقط. وفي حال رغبتك في التخلص من هذا المنتج، يرجى الاتصال بالسلطة المحلية أو التاجر الذي تتعامل معه السؤال عن طريقة التخلص الصحيحة.

ملاحظة لرمز البطارية :

قد يستخدم هذا الرمز بالاتحاد مع رمز كيميائي. في هذه الحالة يتماشى مع المتطلبات التي تحددها التوجيهات الخاصة بالمادة الكيميائية المذكورة.



هذه الرموز الموجودة على المنتجات، العبوات و/أو الوثائق المرفقة تعني أنه لا يجب خلط المنتجات الكهربائية والإلكترونية والبطاريات مع المخلفات المنزلية العامة. وللتعامل مع المنتجات القديمة والبطاريات المستعملة بطريقة خاصة وإعادة استخدام هذه المواد وإعادة تدويرها، يرجى أخذها لنقاط تجميع مناسبة، وتطبيق التوجيهات المحلية والتوجيهات EC/2006/66 و EU/2012/19.



بالتخلص من هذه المنتجات والبطاريات بشكل صحيح، ستساعد في حفظ الموارد القيمة ومنع أي آثار سلبية محتملة على صحة الإنسان وسلامة البيئة التي قد تنتج عن التعامل غير السليم مع المخلفات.

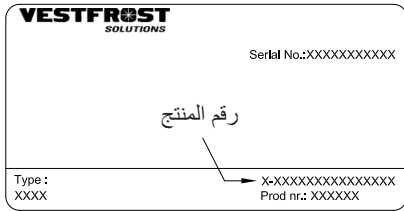
ولمزيد من المعلومات عن تجميع وإعادة تدوير المنتجات القديمة والبطاريات، يرجى الاتصال بمجلس البلدية المحلي، أو خدمة التخلص من المخلفات الخاصة بك أو نقطة البيع حيث تشتري أغراضك.

قد يتم تطبيق العقوبات نتيجة التخلص الغير صحيح من المخلفات، تماشيا مع القوانين المحلية.

الضمان وقطع الغيار والخدمة

قطع الغيار

عند طلب قطع الغيار، يرجى ذكر النوع والرقم التسلسلي وأرقام المنتج الخاصة بجهازك. توجد هذه المعلومات على لوحة التصنيف. تحتوي هذه اللوحة على العديد من المعلومات الفنية، منها النوع والأرقام التسلسلية.



شكل ١١

إبطال صلاحية الضمان

حالات الأعطال والتلف المباشرة أو الغير مباشرة التي تنتج عن التشغيل الغير صحيح وسوء الاستخدام والصيانة الغير كافية والتجميع والتركييب والتوصيل الغير صحيح. الحرائق والحوادث والتغير في الجهد أو أي تدخل كهربى آخر، بما فيها الصمامات التالفة أو الأخطاء في تركيب مصادر الكهرباء مثل هذه الأشياء لا يقوم الضمان بتغطيتها.

ولا يقوم الضمان أيضاً بتغطية الإصلاحات التي قامت بها مراكز غير مراكز الصيانة المعتمدة وأي أخطاء وتلفيات أخرى يمكن للمصنع إثبات أنها حدثت بأسباب أخرى غير عيوب التصنيع أو عيوب المواد.

يرجى ملاحظة أن التغييرات التي تطرأ على بنية الجهاز أو التغييرات التي تطرأ على معدات تجهيزه ستؤدي إلى إبطال ضمان وموثوقية المنتج، وعندها يكون استخدام الجهاز غير مطابق للقانون. وسيكون الاعتماد المدون على لوحة التصنيف باطل أيضاً.

أما عن أضرار النقل التي يكتشفها المشتري فهي أمر يتم تسويته بين المشتري والموزع، على سبيل المثال يجب على الموزع ضمان حل مثل هذه الشكاوى لصالح المشتري.

قبل طلب المساعدة الفنية، يرجى التأكد من إمكانية قدرتك على إصلاح الخطأ بنفسك. وفي حال عدم تغطية الضمان لطلبك للمساعدة، على سبيل المثال في حال عطل الجهاز نتيجة انفجار صمام أو تشغيل غير صحيح، فستدفع تكاليف طلبك للمساعدة الفنية.

مواجهة المشكلات

المشكلة	السبب المحتمل	الحل
الضاغط لا يعمل والحوامل المخصصة لحمل اللقاحات ليست باردة	كن صبوراً، فعلى الراجح أن الضاغط سيبدأ في العمل خلال دقائق معدودة.	في حال توقف الضاغط عن العمل، تأكد من التالي: - تأكد من توصيل الطاقة وسلامة السلك الذي يصل الخلايا الشمسية بالجهاز. - تأكد من الصمام واستبدله في حال الحاجة إلى ذلك. - في حال عدم ثبوت شيء مما ذكر آنفاً اتصل بالمشرف الفني.
الضاغط يعمل، ودرجة الحرارة مرتفعة جداً	يوجد ما يعيق شبكة التهوية. الغطاء غير مغلق بإحكام. يوجد ما يعيق المروحة الموجودة بحجرة الضاغط أو أنها تالفة. درجة الحرارة بالغرفة التي يوجد بها الجهاز مرتفعة جداً.	تأكد من عدم إعاقة انتشار الهواء. تأكد من إحكام إغلاق الغطاء. تأكد من عمل المروحة، وفي حال عدم عملها يجب استبدالها. راجع قسم: الصيانة احجب الجهاز عن أشعة الشمس المباشرة وتأكد من تهوية الغرفة بطريقة أفضل.
درجة الحرارة بمبرد الطاقة الشمسية منخفضة جداً	إلى نقطة منخفضة على مجموعة وحدة تحكم رقمية	الاتصال المشرف على التكيف
درجة الحرارة في VLS SDD 024 منخفضة جداً	ليس هناك ما يكفي من الضوء في الغرفة	بدوره على ضوء
لا توجد إضاءة في الصمام الثنائي الأخضر	يتم تشغيل مفتاح OFF المنصهر محترق الصمام الثنائي معطل	بدوره على التبديل تغيير المنصهر . تغيير الصمام الثنائي.

الصيانة والتنظيف

التنظيف

قم بفصل مصدر الكهرباء قبل التنظيف. - - في الجزء الأمامي من وحدة

أفضل طريقة لتنظيف الجهاز باستخدام المياه الدافئة مع كمية صغيرة من منظف عديم الرائحة. يحذر استخدام مواد منظفة مزيلة. استخدم قطعة قماش ناعمة. وقم بالشفط باستخدام المياه النظيفة والتجفيف جيداً. من الضروري منع المياه من الدخول إلى لوحة التحكم.

يجب تنظيف شريط إحكام الغلق الموجود حول الغطاء بانتظام لمنع تغير لونه ولإطالة فترة خدمته. استخدم مياه نظيفة. وبعد تنظيف شريط إحكام الغلق، تأكد من استمراره في إحكام الغلق.

في حال عدم استخدام الجهاز لمدة زمنية معينة، قم بإيقافه وفصله من مصدر الطاقة وتفريغه وتنظيفه من الداخل وترك الغطاء مفتوحاً للسماح بانتشار الهواء ومنع تكون الروائح.

صيانة مبرد الطاقة الشمسية

صيانة يومية:

يجب مراقبة درجة الحرارة بمقصورة اللقاحات بشكل دائم باستخدام الترمومتر صباحاً ومساءً. ويرجى ملاحظة أن اللقاحات قد لا تتجمد داخل الجهاز. درجة الحرارة تم ضبطها من قبل المصنع، وينبغي أن لا يقوم بتعديلها أشخاص غير مؤهلين.

يرجى التأكد بشكل يومي من وضع الغطاء الداخلي بطريقة صحيحة وأن يكون محكماً على الجهاز.

صيانة شهرية:

قم بتنظيف الشبكة الموجودة بالجانب الأيمن من المبرد مرة كل شهر.

صيانة سنوية:

يجب فحص التوصيلات والمكونات الكهربائية وتنظيفها مرة كل عام أو أكثر من مرة عند الضرورة.

صيانة الخلايا الشمسية

صيانة أسبوعية:

يجب تنظيف الخلايا الشمسية من الأتربة مرة كل أسبوع - أو حسب الحاجة. ويجب أن يتم التنظيف بالماء.

صيانة سنوية:

يجب فحص التوصيلات والمكونات الكهربائية وتنظيفها مرة كل عام على الأقل أو أكثر من مرة عند الضرورة. وذلك بسبب خطر الحريق، فمن الضروري إزالة الأتربة والأوساخ.

يجب إعادة ربط المزليج والصواميل بعد أسبوعين من التركيب، ثم مرة سنوياً.

تصريف الماء الناتج عن التكتف

٥. أعد إدخال سدادتي فتحتي التصريف الداخلية والخارجية وتحقق من عدم وجود أي عيب بحشوة إحكام الغطاء.

٦. أعد توصيل مصدر إمداد الطاقة بالضغط على زر ON/OFF (التشغيل/إيقاف التشغيل).

٧. عندما يستعيد الجهاز درجات الحرارة الآمنة اللازمة لتخزين اللقاحات من ٢ إلى ٨ درجات مئوية، ضع اللقاحات في صفوف مرتبة مع وجود مساحة بينهم.

من المتوقع أن يتشكل ماء متكثف على جانبي البطانة الداخلية نظرًا للرطوبة الموجودة في الهواء المقترن مع الأسطح الباردة داخل حجيرة اللقاحات. سيتجمع الماء المتكثف في الأسفل، وعليه، يلزم تصريفه بانتظام. فإذا كان الجزء السفلي من حجيرة اللقاحات مغطى بماء التكتف، فيلزم البدء في عملية التصريف/التجفيف.

يزداد الماء المتكثف في حالة:

- بقاء المعدات مفتوحة في أغلب الأحيان.
- عدم غلق الغطاء بشكل صحيح.
- وجود عيب بحشوة إحكام الغطاء.
- ارتفاع مستوى الرطوبة.

ينبغي إجراء عملية تصريف الماء الناتج عن التكتف في الصباح ما بين الساعة السابعة صباحًا وحتى التاسعة صباحًا، وذلك قبل أن يصبح الإشعاع الشمسي قويًا بما يكفي لبدء تشغيل الضاغط وتشغيل نظام التبريد.

تابع إجراء ما يلي:
مهم!

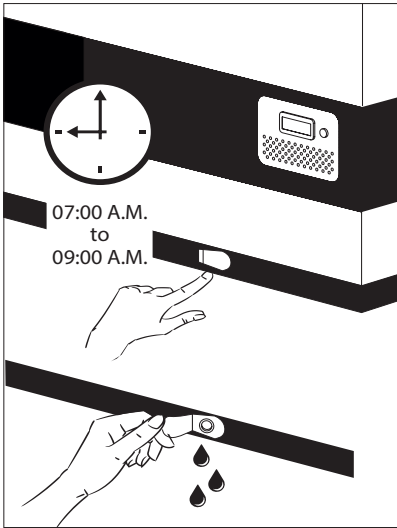
يلزم، قبل تصريف الماء الناتج عن التكتف، نقل اللقاحات إلى ILR آخر قيد العمل أو صندوق بارد مزود بأكياس ثلج باردة.

١. افصل مصدر إمداد الطاقة عن طريق إيقاف تشغيل زر ON/OFF (التشغيل/إيقاف التشغيل). مهم! لا تقم بإيقاف تشغيل سوى مصدر إمداد الطاقة إلى حجيرة اللقاحات.

٢. افتح فتحتي التصريف. توجد سداة داخل حجيرة ثلاجة التجميد وتوجد الأخرى في مقدمة الجانب الأيمن من الجهاز.

٣. ضع صينية أسفل فتحة تصريف الماء الناتج عن التكتف.

٤. عند إزالة جميع المياه الناتجة عن التكتف وكذلك قطرات الماء الموجودة على البطانة بعناية، نظّف الخزانة الداخلية، وكذلك، الغطاء وحشوة إحكام الغطاء والجزء الخارجي من الخزانة، باستخدام ماء مزود بمنظف خفيف خالي من العطور. جفف حجيرة اللقاحات بقطعة قماش ناعمة وتأكد من عدم بقاء أي رطوبة بعد التنظيف.



الشكل ١٠

إرشادات التشغيل

الاحتياطات والتوصيات العامة

تحذير: يجب الحفاظ على فتحات التهوية الموجودة بالجهاز أو التركيبات المدمجة نظيفة.

تحذير: لا تتلف نظام التبريد.

تحذير: لا تستخدم أجهزة كهربائية داخل حجرة التجميد إلا التي تطابق النوع الذي يوصي به المصنع.

تحذير: لا تعرض الجهاز للمطر.

احتفظ بالمفاتيح دائماً في مكان منفصل وبعيداً عن متناول الأطفال.

قم بفصل الجهاز من المصدر الرئيسي للطاقة أو من مزود الطاقة قبل الصيانة أو التنظيف.

لكي يبدأ الضاغط العمل يتعين أن تكون الخلايا الشمسية قادرة على توليد طاقة فوق حد معين. وعندما يعمل، يكون لدى الضاغط القدرة على العمل بمعدل طاقة أقل من حد التشغيل. قد يتطلب تشغيل الضاغط لمرتين ليبدأ العمل. لذا كن صبوراً!!

قد يعمل الضاغط ويتوقف عدة مرات خلال الأيام التي تنسم بتغير في الظروف المناخية.

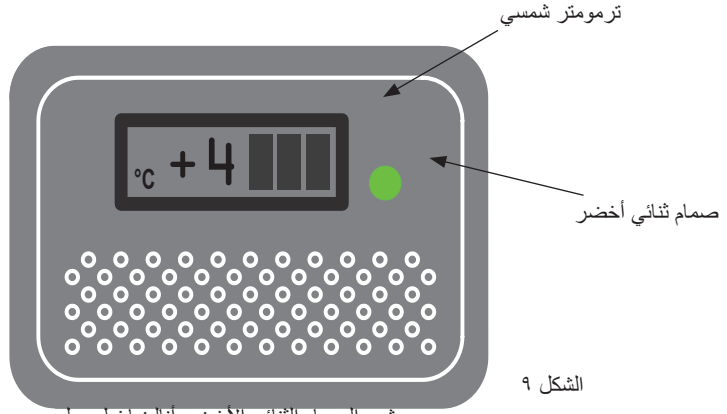
الضوضاء الناتجة عن عمل مبرد الطاقة الشمسية منخفضة، وتأتي في المقام الأول من المروحة التي تعمل على تبريد الضاغط.

تقريباً لا ينتج عن الضاغط أية ضوضاء. تبدأ المروحة في العمل قبل الضاغط بلحظة وتتوقف بعده بلحظة.

درجة الحرارة مضبوطة من قبل المصنع ويجب ألا يقوم أشخاص غير مرخص لهم بتعديلها.

توجد السلالم عندما يكون الجهاز مزود بها **ويجب** استخدامها في تخزين الدواء.

مكحلت اةحول



ويشير الصمام الثنائي الأخضر أنالضغط يعمل

الخلايا الشمسية

الوضع

توضع الخلايا الشمسية دائماً فوق سطح أو قضيب مستو آمن يسهل الوصول إليه (ليس للعامّة).

تتفق الخلايا الشمسية دائماً مع تعليمات المورد وتتفق مع مسامير البراغي والتجهيزات المرفقة أو التي يوصي بها المصنع.

لا توضع الخلايا الشمسية في ظل المباني والأشجار وما إلى ذلك. فلا بد أن تتوجه أسطحها مباشرة تجاه الشمس.

المواصفات

توجد المواصفات التي يجب أن تتصف بها الخلايا الشمسية في جدول ٢.

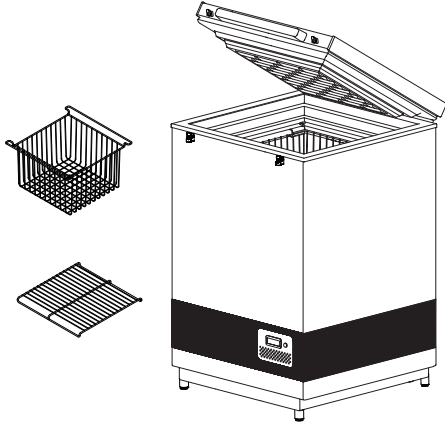
النوع:	نوع ٢ وفقاً محرك المباشرة.
الجهد الإسمي:	١٨ فولت
الطاقة الإسمية:	٣٧٠ وات (حالات الاختبار المعياري)
عدد الوحدات المتوازية المتصلة لكل صف:	٤
الضمان:	عامان كحد أدنى
ضمان الأداء:	٢٥ عام (إلى ٨٠٪ من القيمة الأصلية)
الشهادات:	UL أو TÜV أو تتفق مع متطلبات IEC 61215

تحميل الجهاز

تحميل اللقاحات

لا تقم بتحميل السلة أكثر من ١٥ كجم.

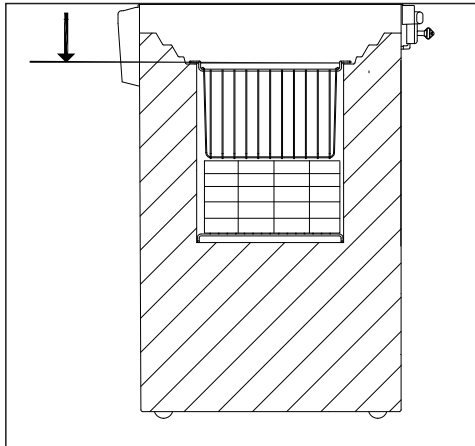
عند تثبيت درجة حرارة مقصورة اللقاح، أي عندما تتراوح درجة الحرارة بين ٢ و ٨ درجة مئوية ويتوقف الضاغط ثم يعمل يمكن تحميل اللقاحات. يجب وضع وترتيب اللقاحات في السلال، (شكل رقم ٥).



الشكل ٧

لضمان الهواء ومنع تداول ويجب تجنب درجات الحرارة منخفضة للغاية للقاح، الاتصال المباشر على الجدران في الداخل.

لضمان دوران الهواء ومنع درجة حرارة منخفضة للغاية بالنسبة للقاح، وينبغي تجنب الاتصال المباشر مع الجدران الداخلية.



لا تقم بتحميل اللقاح أعلاه العلوي من سلال .

الشكل ٨

التركيب وبدء التشغيل

التركيب

وصل الجهاز بالخلايا الشمسية وفقا للمذكور بالجدول ١، الذي يوضح أطوال وأحجام الأسلاك المستخدمة في تركيب الأجهزة.

كابل حجم قياسي وطول: ٦م٢ و ٢٠م.

أقصى طول:		الحجم:	
		مقياس AWG (الأسلاك الأمريكي)	قطاع عرضي
[بوصة]	[ملي]	[مقياس]	[مم]
٢٦	٨	١٢	٢,٥
٤٢	١٣	١٢	٤
٦٥	٢٠	١٠	٦
١٠٥	٣٢	٨	١٠

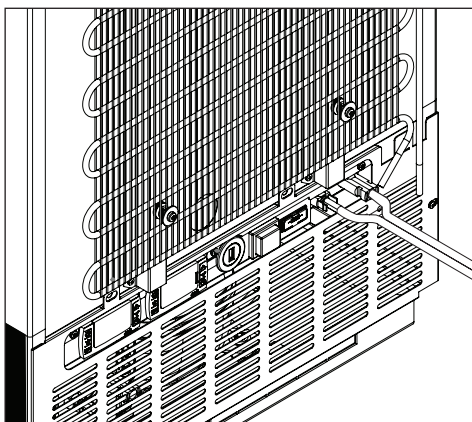
يجب إدخال السلك صدرة سميكة (الأزرق والأحمر) من لوحة للطاقة الشمسية في حجرة ضاغط عبر ثقب في الجزء الخلفي - انظر الشكل ٤

يجب أن تتجمد حوامل اللقاقات قبل تعبئة الجهاز باللقاقات. وسيستغرق الجهاز ٥-٧ أيام لكي يصل إلى درجة التبريد المطلوبة في ظل درجة حرارة محيطية ٤٣ درجة مئوية.

يكون الجهاز معداً لتحميل اللقاقات عندما تكون درجة الحرارة المعروضة على شاشة عرض الترمومتر +٤ درجة مئوية تقريباً. افحص درجة الحرارة أعلى وأسفل السلة. يجب أن تكون درجات الحرارة هذه بين +٢ و +٨ درجة مئوية.

يجب وضع اللقاقات وترتيبها في السلال،

يجب مراقبة درجة حرارة مقصورة اللقاقات بالترموتر بشكل دائم ويتعين أن تتراوح ما بين +٢ و +٨ درجة مئوية. درجة الحرارة مضبوطة من قبل المصنع ويجب ألا يقوم بتعديلها أشخاص غير مؤهلين.



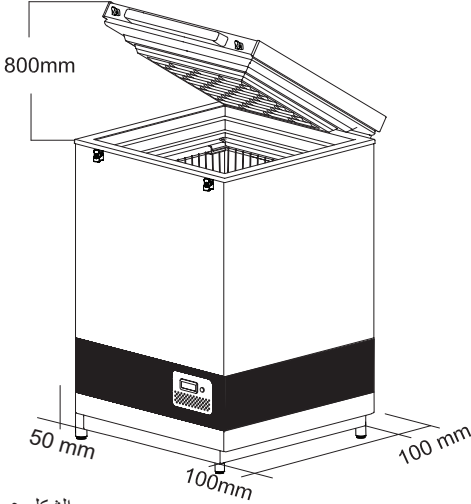
الشكل ٦

كيفية اخراج الجهاز من العبوة واختيار موضع تثبيته

اختيار موضع التثبيت

يتم تركيب الجهاز في مكان جاف جيد التهوية. تجنب تركيبه بالقرب من مصادر الحرارة أو تعريضه لضوء الشمس

ضع الجهاز على الأرض وتأكد من تثبيته في وضع مستو

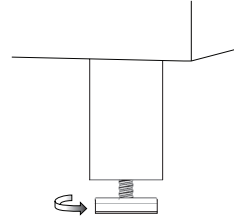


الشكل ٥

رجل قابلة للضبط

ضع الجهاز بشكل مستو وذلك بلف الرجل القابلة للضبط لأعلى أو لأسفل.

إذا كنت ستضع الجهاز على سطح ناعم، مثل سجادة أو ألواح أرضية، من الأفضل التحقق من أن الجهاز لا يزال موضوعاً بشكل متزن بعد مرور بعض الوقت، حيث إن السطح الذي يوضع عليه الجهاز قد ينخفض بفعل وزن الجهاز.



الشكل ٤

يجب أن يوجد مسافة لا تقل عن ٣٠ ملم بين قاعدة الجهاز والأرضية.

ويجب الحفاظ على نظافة فتحات التهوية الموجودة بالجهاز أو التركيبات المدمجة.

ملاحظة: عند تثبيت الجهاز يتعين مراعاة سهولة الوصول إلى شبكة التهوية.

كيفية اخراج الجهاز من العبوة

قم بإخراج الجهاز وتأكد من كونه سليماً. في حال ملاحظة وجود أي ضرر، يرجى إبلاغ المشرف المخصص لأجلك.

هام: لا تستخدم لهب مكشوف أو سجانر قرب الجهاز.

درجة حرارة الغرفة

تم تصميم الجهاز وتعديله لينتج مستوى مثالي من درجة الحرارة بمقصورة اللقاحات في أقل/أقصى معدل لدرجة الحرارة المحيطة التي تتراوح ما بين + ٥ درجات مئوية إلى + ٤٣ درجة مئوية.

ملاحظة: ينبغي عدم وضع الجهاز في بيئة ذات درجة حرارة محيطة تقل عن + ٥ درجات مئوية.

التهوية

من الضروري توفير تهوية جيدة حول الجهاز، والسماح بانتشار الهواء دون وجود إعاقة فوق الجهاز أو أسفله أو حوله. يوضح الشكل ٥ أدناه كيفية توفير التهوية الضرورية.

وضع Fridge-tag ؟

يجب وضع جهاز Fridge-tag المفعّل فور الموقع المحدد. ي نوص بوضع الجهاز منتصف الثالجة لمالحظة درجة الحرارة بدقة.

المستشعر الخارجي
يجب وضع المستشعر الخارجي ي موقعه المحدد قبل ساعت
من تفعيل الجهاز.
نوص ج لأهمية بوضع المستشعر الخارجي منتصف الثالجة
للحصول عل قراءة
حرارة مثل ولتجنب أي تداب صحيحة عند بدأ الجهاز



الشكل ٣

**Fridge-tag
Support**



المحتويات:

تخدير	المقدمة:.....
تعرف على مبردك الذي يعمل بالطاقة الشمسية.....	وضع Fridge-tag ؟.....
كيفية اخراج الجهاز من العبوة واختيار موضع تثبيته.....	التركيب وبدء التشغيل
تحميل الجهاز.....	إرشادات التشغيل.....
إرشادات التشغيل.....	إرشادات التشغيل.....
تصريف الماء الناتج عن التكثف.....	الصيانة والتنظيف.....
مواجهة المشكلات.....	الضمان وقطع الغيار والخدمة.....
التخلص من الأجزاء القديمة والمستعملة.....	

المقدمة:

لقد استخدم نظام التبريد بالطاقة الشمسية من أجل توفير:

- البساطة
- الأمان
- المتانة
- الثقة

يتكون نظام التبريد بالطاقة الشمسية من:

- ثلاجة تبريد بالطاقة الشمسية
- خلايا شمسية
- أدوات تثبيت الخلايا الشمسية
- أسلاك تصل بين الخلايا الشمسية ومبرد الطاقة الشمسية

مبرد الطاقة الشمسية عبارة عن ثلاجة لحفظ اللقاحات. وهي تشتمل على مقصورة واحدة لحفظ اللقاحات (تتراوح درجة الحرارة بها ما بين + 2 إلى + 8 درجة مئوية)

تجدر الإشارة إلى أنه في حال تركيب الجهاز بالشكل الصحيح وإتباع إجراءات الصيانة، فسوف يستمر الجهاز في العمل لسنوات عديدة دون وجود أي مشاكل.

PQS Code	Model	PQS Performance specifications Specification reference:	PQS Independent type-testing protocol Product verification protocol:
E003/069	VLS 024 SDD	E003/RF05.3	E003/RF05-VP.3

تحذير:

تأكد، عند وضع الجهاز، من عدم إعاقة سلك إمداد الطاقة أو تلفه.

تحذير:

تجنب وضع منافذ مأخذ توصيل محمولة متعددة أو مصادر طاقة محمولة في الجزء الخلفي من الجهاز.

تحذير:

الأجهزة تستخدم غاز النفخ العازل القابل للاشتعال. للحصول على معلومات حول التخلص الآمن، يرجى الاتصال بخدمة التخلص المحلية. انظر قسم التخلص.

• احتفظ دوماً بالمفاتيح في مكان آخر، وبعيداً عن متناول الأطفال

• يرجى ملاحظة أن أي تغييرات تتطراً على هيكل الجهاز ستتسبب في إلغاء الضمان وكافة التزامات المصنع نحو الجهاز

تحذير

بما أن الجهاز يحتوي على مُبرّد قابل للاشتعال، يجب التأكد من صلاحية أنابيب التبريد.

كما يحتوي على جهاز التبريد القابلة للاشتعال، فمن الضروري للتأكد من أن أنابيب التبريد لا التالفة.

EN378 القياسية يحدد أنه يجب أن يكون الغرفة التي تثبيت الأجهزة الخاصة بك وبلغ حجم التداول 1M³ في 8 غرام من المبردات الهيدروكربونية المستخدمة في الأجهزة المنزلية. هذا هو لتجنب تشكيل القابلة للاشتعال الخلائط الغاز / الهواء في الغرفة حيث يقع الجهاز في حالة وجود تسرب في دائرة التبريد. يشار إلى كمية من المبردات تستخدم في الأجهزة الخاصة بك على لوحة التصنيف.

تحذير:

لا تستخدم أجهزة كهربائية داخل حجرة التخزين المُبرّدة، ما لم تكن من النوع الذي وصى به المُصنّع

تحذير:

لا تُحدث أضرار بنظام التبريد

تحذير:

لا تلف نظام التبريد

تحذير:

خطر خطر نشوب حريق أو انفجار.

المبردات القابلة للاشتعال المستخدمة. إلى إصلاح فقط من قبل أفراد مدربين.

تحذير:

لا تقم بتخزين المواد المتفجرة مثل البخاخات مع الداسر القابلة للاشتعال في هذه الأجهزة.



تحذير:

يجب الحفاظ على فتحات التهوية الموجودة في هيكل الجهاز أو المدمجة في الهيكل بعيدة عن أي عوائق

تحذير:

لا تستخدم أي أجهزة ميكانيكية أخرى، أو أي وسائل أخرى لتسريع عملية إذابة الجليد غير تلك التي وصى بها المُصنّع

تحذير:

لا تعرض الجهاز للأمتار

تحذير:

هذا الجهاز غير مخصص للاستخدام من قبل الأطفال، والأشخاص ذوي القدرات الجسدية، أو الحسية، أو العقلية المحدودة، أو ذوي نقص الخبرة والمعرفة، ما لم يتم الإشراف عليهم أو إعطائهم التعليمات بشأن استخدام الجهاز بطريقة آمنة وفهم المخاطر المعنية.



VLS 024 SDD

ARA مادختس الا تامي لعت