



BIOMEDICAL

ULTF-37i

ULT TECHNICAL SPECIFICATIONS



DIMENSIONS	
Outer Dimensions HxWxD, mm	631x630x675
Depth incl. door handle	745
Inner Dimensions HxWxD, mm	433x439x271
Weight Gross/Net, kg	70 / 59
Material inner cabinet	Stainless steel
Material outer cabinet	Painted Steel
Packaging weight, kg	11
Packaging dimensions HxWxD, mm	850x800x850
Insulation thickness	80
Insulation type	Polyurethane with Cyclopentane
Mobility	Standard: Adjustable Feet / Option: Castors
Refrigerant, Type / gram	Nature R 2/96gr
FEATURES	
Lock	<input checked="" type="checkbox"/>
LED light	<input checked="" type="checkbox"/>
Battery Backup for Controller, 24h	<input checked="" type="checkbox"/>
Porthole	<input checked="" type="checkbox"/>
Porthole size	20 mm
Dry contact	<input checked="" type="checkbox"/>
Door reversibility	<input type="checkbox"/>
Vacuum valve	<input checked="" type="checkbox"/>
VIP (Vacuum Insulated Panel)	<input checked="" type="checkbox"/>
STORAGE	
Capacity (L)	37
ALARMS	
High / Low temperature	<input checked="" type="checkbox"/>
Open door	<input checked="" type="checkbox"/>
Power failure	<input checked="" type="checkbox"/>
Probe failure	<input checked="" type="checkbox"/>
COOLING	
Refrigerant	Nature R / 96
Noise	< 48
Voltage	100-240 V
Frequency	50/60 Hz
Temperature range	-20 / -86
Ambient condition	25 °C



ULTF-37i

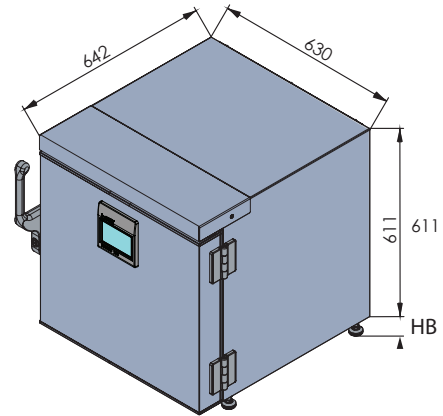
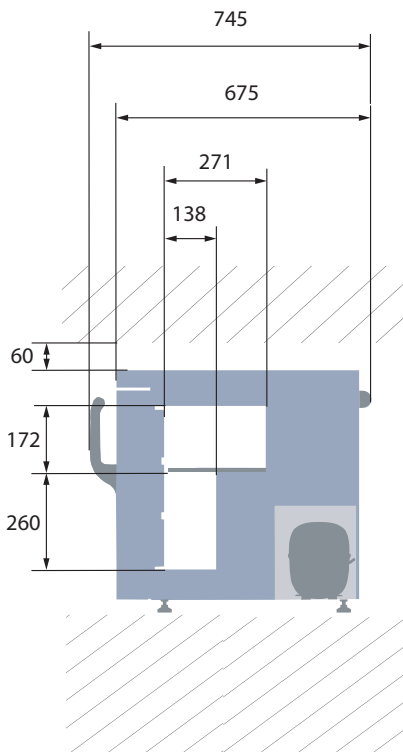
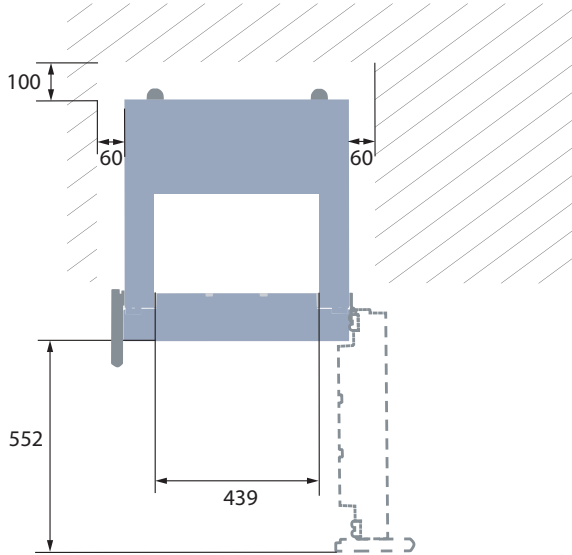
ULT TECHNICAL SPECIFICATIONS

Voltage/Frequency	Voltage/Hz	100-240 V, 50/60Hz
Max Ambient	°C	32
Max Humidity	% rh	65
PERFORMANCE		
All data in RT20°C		
Temperature Range	°C	-20 to -86
Uniformity in performance - difference between top and bottom	°C	+/- 2,5
Pull down time	Minutes	84 min. to -75°C
Hold over time	Minutes	N/A
Noise	dB	< 48
Energy Consumption, kWh / 24h	kWh/24h	2,94 kWh/24h Set -80
Energy year	kWh/year	1186,6kWh/y Set -82°C
Instant Power Consumption	kW	PD 0,300/Stable 0,190
Heat Rejection	W	N/A
U-Value	W/m ² K	N/A
COOLING COMPONENTS		
Refrigerant/Amount (gram)		Nature R 2/96gr
Number of compressors	pcs	1
Variable speed compressor	Yes/No	Yes
Internal air distribution (type of)		Static
Evaporator Fan	Yes/No/Variable	No
Condenser Fan	Yes/No/Variable	Yes
Number of probes	pcs	2
Defrost	Yes/No	No
CONTROLLER		
Controller	y/n/optional	yes
Controller type		i-Care touch
USB Connection	y/n	yes
Data connection	USB	yes
Controller abilities		logging of data & alarms
Controller languages		EN, DE, FR
Temperature curve in controller	y/n	yes



ULTF-37i

ULT TECHNICAL SPECIFICATIONS

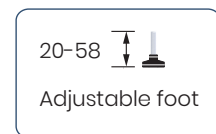
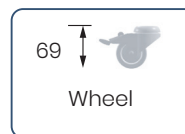


DIMENSIONS

Height, mm	631
Width, mm	630
Depth, mm	675
Depth incl. handle, mm	745

All measurements in mm.

HB: Height of base
(HB is adjustable when given value is xx-xx)



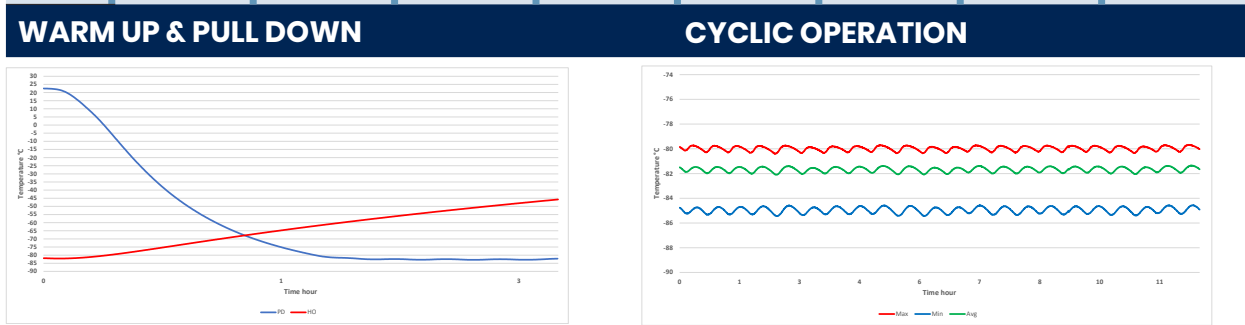


ULTF-37i

ULT TECHNICAL SPECIFICATIONS

SENSOR POSITION		MODEL	ULTF-37i
<p>FRONT VIEW</p> <p>TOP VIEW</p>		<p>Test type</p> <p>8-point test</p> <p>Test environment</p> <p>Controlled conditions, empty cabinet</p> <p>Ambient temperature</p> <p>20°C</p> <p>Humidity</p> <p>60%</p> <p>Set-point</p> <p>-82°C</p> <p>Sensor used</p> <p>25gr tinned brass formed as a cylinder with a diameter of 15,2 mm</p> <p>Installation</p> <p>Appliance installed according to instruction manual conditions</p> <p>Refrigerant</p> <p>Nature R</p>	

SENSOR TEMPERATURE								
Sensor position	P1	P2	P3	P4	P5	P6	P7	P8
Max	-79,7	-80,2	-80,1	-79,9	-80	-83,1	-83,1	-84,6
Avg.	-80	-80,5	-80,4	-80,2	-80,3	-83,5	-83,6	-85
Min.	-80,4	-81	-80,8	-80,5	-80,7	-84,1	-84,1	-85,4



TYPICAL PERFORMANCE IN AMBIENT 20°C – EMPTY CABINET	
Avg. cabinet temperature	-81,7°C
Peak variation from set-point	+/- 2,5°C
Stability in avg.	0,5°C
1 min. door open recovery to -75°C avg. temperature	20 min.
Cycle rate on/off	25,7 / 6,7 min.
Duty cycle	78,7%
Energy consumption - Normal mode	3,25 kWh/day
Energy consumption - Energy saving mode	2,92 kWh/day
Pull down time to -75°C avg. temperature	84 min.
Hold over time from -82°C to -60°C	105 min.
Heat rejection	306 W