



ULTF-C296i

CHEST ULT FREEZER

The chest design is an economical choice, that preserves cold well due to the horizontal lid.

-20°C
-86°C



DIMENSIONS	VALUE
Outer Dimensions HxWxD	831x1260x608
Inner Dimensions HxWxD	624x1100x440
Weight Gross/Net, kg	100 / 78
Material inner cabinet	Painted Steel
Material outer cabinet	Painted Steel
Insulation thickness	80
Insulation type	Polyurethane with Cyclopentane
Mobility	Standard: 4 castors with brakes
Refrigerant, Type / gram	Nature R2 / 143
Variable Speed Compressor	No
Internal Air Distribution	Static
Number of probes	1
CONTROLLER	VALUE
Controller	i-Care, Touch screen
Controller language	EN, DE, FR
USB Connection	Yes
Logging	Data, Alarms & Events
Temperature graph	Yes
High/Low temp. Alarm	Yes
Open door alarm	No
Probe failure alarm	Yes
Power failure alarm	Yes
STORAGE	VALUE
Volume, Gross/Net, L	296 / 284
Cryobox "2 capacity	216
2 ml vials capacity	21.600
Inner lids	Yes
FEATURES	VALUE
Lock	Yes
LED light	No
Battery Backup for Controller, 24h	Yes
VIP (Vacuum Insulated Panel)	No
Perimeter Heater	No
Porthole	Yes - Ø 12,5 mm
Dry Contact	Yes
Vacuum valve	No
Door	Solid



ULTF-C296i

CHEST ULT FREEZER

The chest design is an economical choice, that preserves cold well due to the horizontal lid.

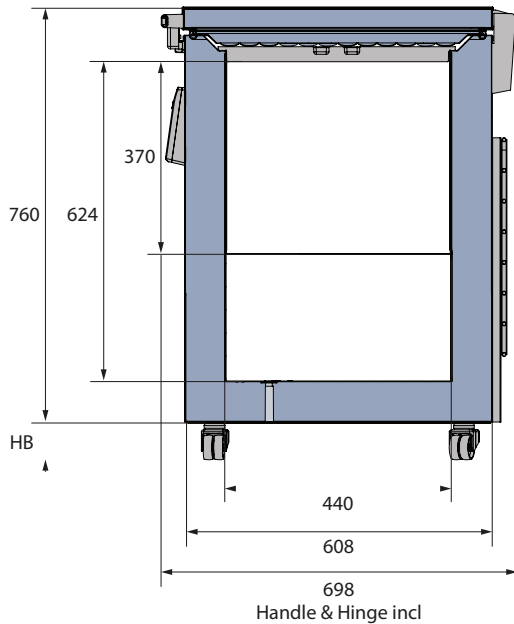
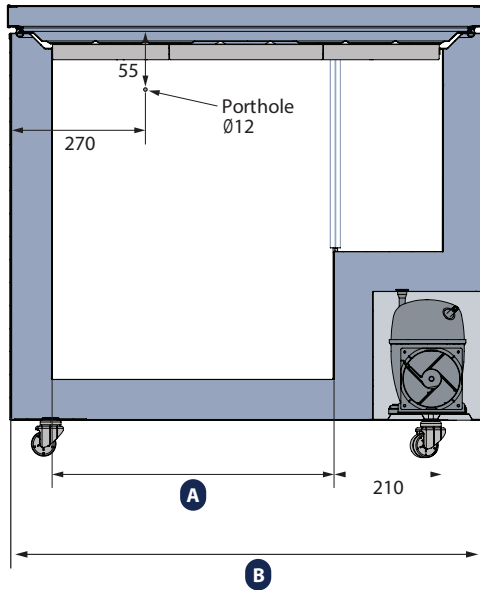
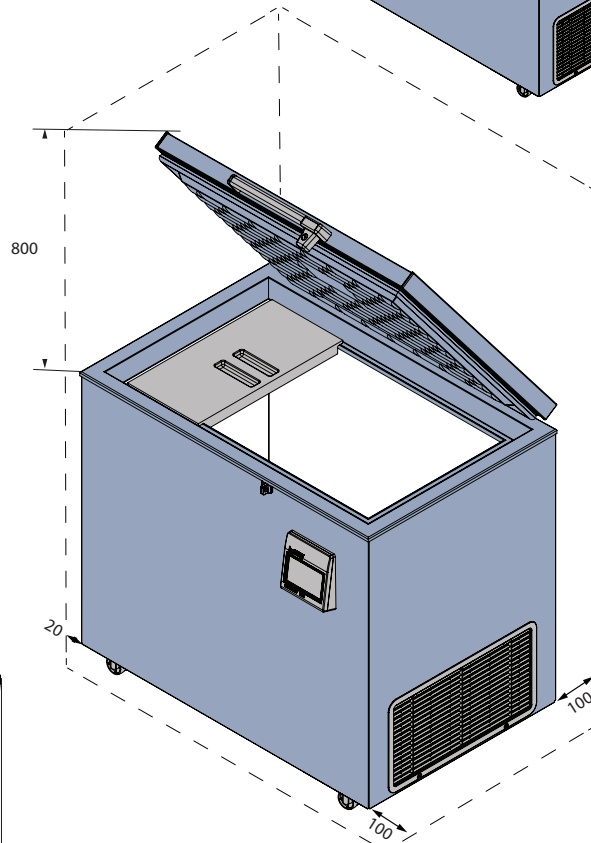
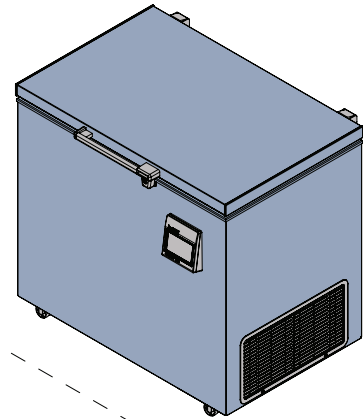
PERFORMANCE	UNIT	VALUE
All data in RT20°C		
Temperature Range	°C	-20 to -86
Uniformity in performance - difference between top and bottom	°C	+/- 1,2
Pull down time	Minutes	130min to -75°C
Hold over time	Minutes	72 min to -60°C
Noise	dB	55
Energy Saving Mode	kWh/24h	7,041 kWh/24h Set -70
Energy 24 hours	kWh/24h	9,855 kWh/24h Set -82
Energy year	kWh/year	3597,1 kWh/y Set -82°C
Instant Power Consumption	kW	PD 0,710-0,550/Stable 0,520
Heat Rejection	W	642
U-Value	W/m ² K	0,2
COOLING COMPONENTS		VALUE
Refrigerant/Amount (gram)		Nature R 2/143gr
Number of compressors	pcs	1
Varibel speed compressor	Yes/No	No
Internal air distribution (type of)		Static
Evaporator Fan	Yes/No/Variable	No
Condenser Fan	Yes/No/Variable	Yes
Number of probes	pcs	1
Defrost	Yes/No	No



ULTF-C296i

CHEST ULT FREEZER

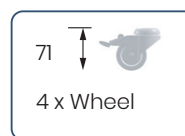
The chest design is an economical choice, that preserves cold well due to the horizontal lid.



MODEL	A	B
ULTF-C198i	550	920
ULTF-C296i	890	1260
ULTF-C383i	1190	1560

All measurements in mm.

HB: Height of base
(HB is adjustable when given value is xx-xx)



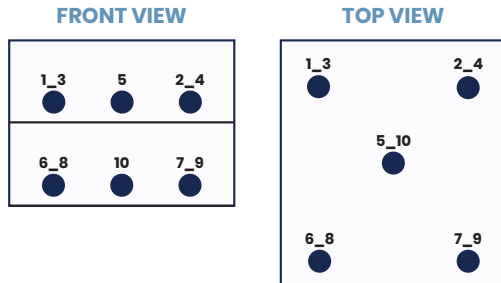


ULTF-C296i

CHEST ULT FREEZER

The chest design is an economical choice, that preserves cold well due to the horizontal lid.

SENSOR POSITION



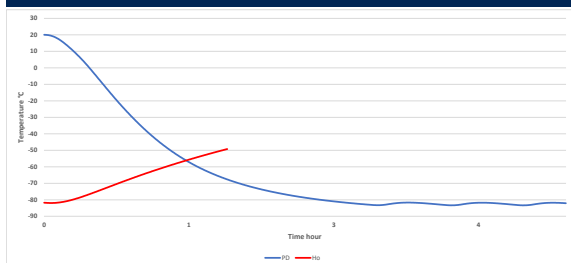
MODEL ULTF-C296i

Test type	10-point test
Test environment	Controlled conditions, empty cabinet
Ambient temperature	20°C
Humidity	60%
Set-point	-82°C
Sensor used	25gr tinned brass formed as a cylinder with a diameter of 15,2 mm
Installation	Appliance installed according to instruction manual conditions
Refrigerant	Nature R 2

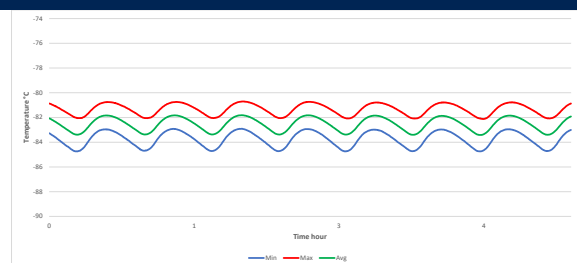
SENSOR TEMPERATURE

Sensor position	P1	P2	P3	P4	P5	P6	P7	P8	P9	P10
Max	-81,5	-82,7	-82,9	-82,3	-82,1	-80,7	-81,6	-80,9	-82	-81,3
Avg.	-82,4	-83,5	-83,8	-83,2	-82,7	-81,4	-82,2	-81,5	-82,7	-82,1
Min.	-83,3	-84,5	-84,7	-84,2	-83,5	-82,1	-82,9	-82,3	-83,6	-83

WARM UP & PULL DOWN



CYCLIC OPERATION



TYPICAL PERFORMANCE IN AMBIENT 20°C - EMPTY CABINET

Avg. cabinet temperature	-82,5°C
Peak variation from set-point	+/- 1,2°C
Stability in avg.	0,8°C
1 min. door open recovery to -75°C avg. temperature	<1 min.
Cycle rate on/off	30 / 7 min.
Duty cycle	77,3%
Energy consumption - Normal mode	9,85 kWh/day
Energy consumption - Energy saving mode	7,04 kWh/day
Pull down time to -75°C avg. temperature	130 min.
Hold over time from -82°C to -60°C	72 min.
Heat rejection	642 W