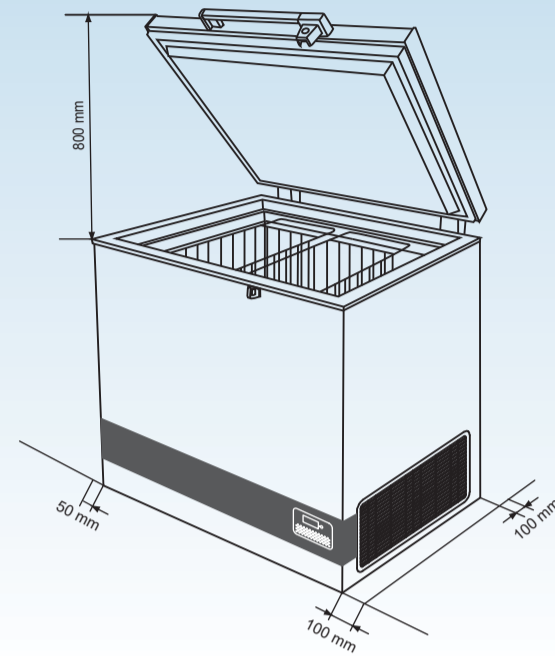


HOW TO MAINTAIN YOUR SOLAR VACCINE REFRIGERATOR

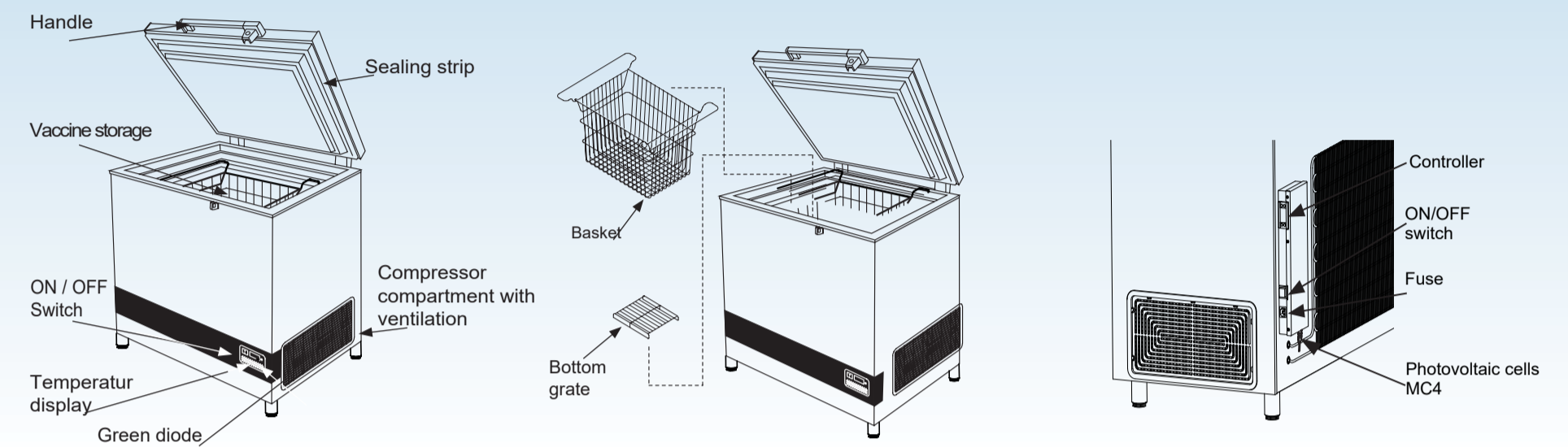
1 Correct placement of the appliance

Refrigerator is:

- Outside of direct sunlight
- In a well ventilated area
- Clear of any heat source
- On a level floor
- Has enough space for air circulation
- More than 100 mm between the back and the wall
- More than 100 mm from the right side of the refrigerator (grille) and the wall
- More than 200 mm between other vaccine refrigerators.



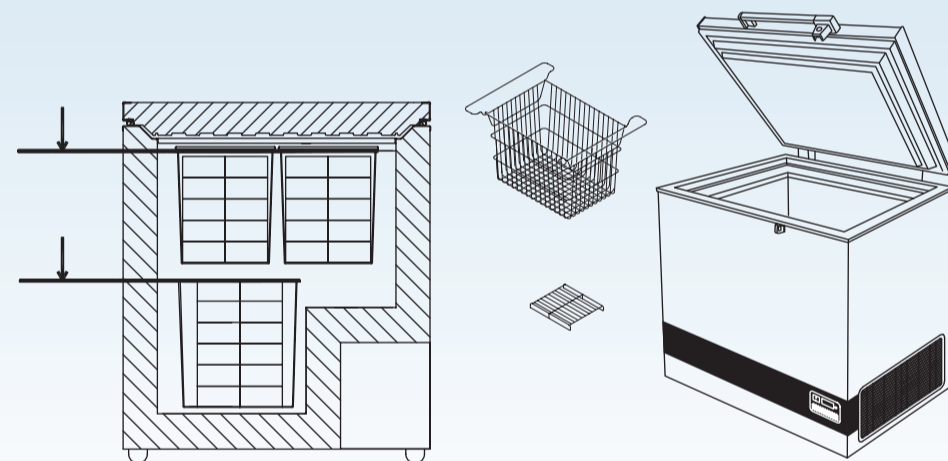
2 Get to know your VLS SDD



3 Loading vaccines

Recommendable Preventive maintenance tools:

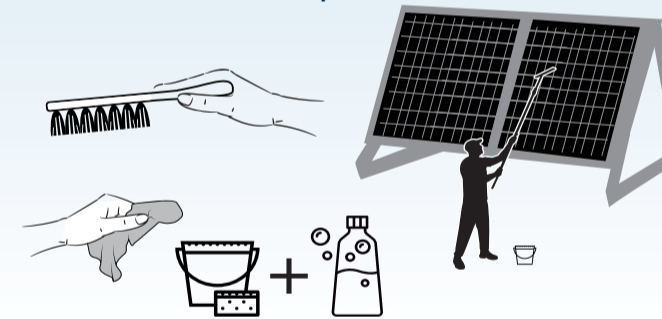
- Always make sure temperatures in vaccine compartment are stable by CCE technician within +2°C and +8°C.
- Use a Baskets and Bottom gratings supplied with refrigerators
- Store vaccines neatly. Leave space of 2 cm between rows for air circulation.
- Do not load the vaccine above top of the basket (For specific types see instruction manuals)
- No expired vaccines in refrigerator; Remove expired vaccines
- First expired, First out!
- Organize so earliest expiry is easiest to reach.
- Split up stock with different expiry dates.
- Keep a "use first box" for vaccines with early expiry dates, late VVMs (For specific types see instruction manuals)



4 Preventive maintenance

Recommendable Preventive maintenance tools:

- Soft brush for cleaning
- Soft Cloth for cleaning
- Mild soap detergent (not for solar panels)
- Water bucket
- Plastic scraper (for safely removing ice build up)
- Condensate collection pan.



Maintaining the Vaccine refrigerator

Daily maintenance:

The temperature in the vaccine compartment must always be monitored on the thermometer every morning and evening. Please note that the vaccine in the appliance must not freeze. The temperature is factory set, and should not be adjusted by unauthorized personnel.

Check lid is properly closed and fits tightly to the cabinet of the appliance.

Monthly maintenance:

Clean the grille on the side of the refrigerator once each month.

Yearly maintenance:

Electric connections and components are to be checked and cleaned once a year or more if necessary.

Maintenance of the solar panels

Weekly maintenance:

The solar panels are to be cleaned for dust once every week – or as required. Cleaning must be carried out with water using a soft cloth or wash rag.

Yearly maintenance:

Electric connections and components are to be checked and cleaned at least once a year or more often if required. Because of risk of fire, it is necessary to remove dust and dirt.

All bolts and nuts are to be retightened 2 weeks after installation, and then once a year.

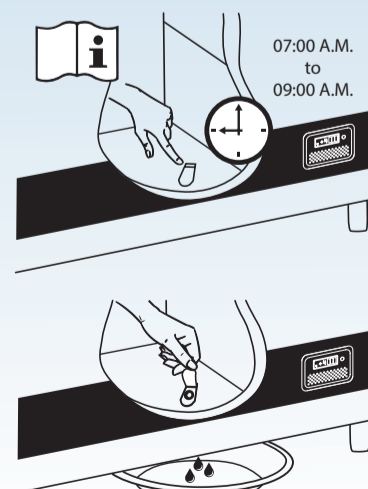
5 SOP's- Standard Operating Procedures

Condensation increases if:

- Equipment is opened too frequently
- Lid not closing properly
- Lid gasket is defective
- High ambient temperatures

Proceed as follows:

1. Disconnect the power supply
2. Open the drainage plug
3. Place a tray under the condensation water drain
4. Dry the vaccine compartment with a soft cloth, and make sure no moisture is remaining after cleaning
5. Reinsert the internal drainage plug
6. Reconnect the power supply
7. When appliance has regained required safe temperatures for storing vaccines 2°C- 8°C, place the vaccines in neat rows with space.

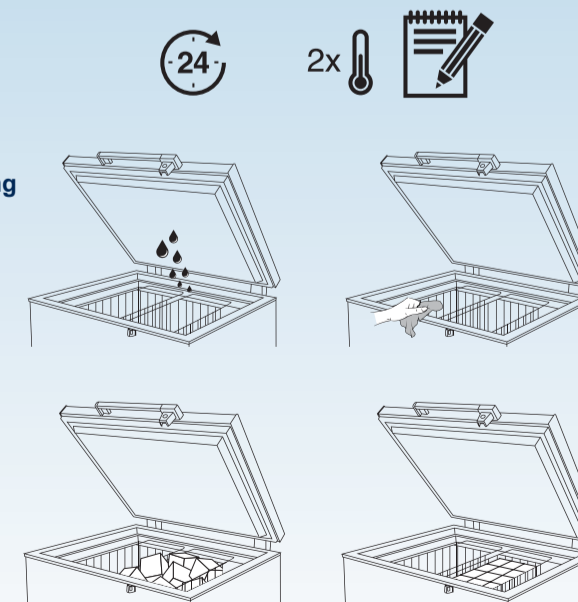


IMPORTANT!

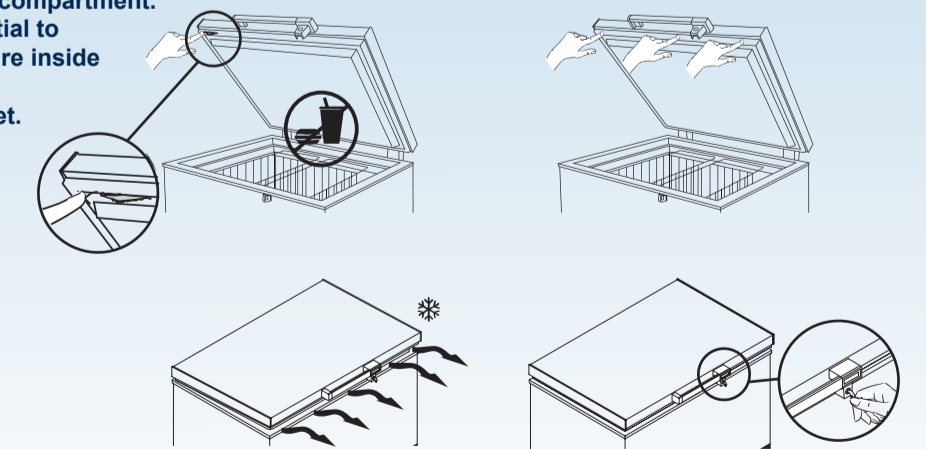
Before condensation drainage, vaccines must be moved to another working ILR or cold box with conditioned icepacks.

Recommendable Preventive maintenance:

- Monitor temperature every morning and evening on Fridge-tag 2E.
- Make sure appliance is dry, make sure it is cleaned inside and outside min. every month.
- Keep the vaccine boxes in neat rows with 2 cm. space between the boxes of vaccines for circulation of air.



- Make sure lid gasket is not faulty
- No food or drinks to be stored in the vaccine compartment.
- Do not open the door or lid unless it is essential to do so. Frequent opening raises the temperature inside the refrigerator.
- Make sure lid fits and close tight to the cabinet.
- Make sure to lock the fridge when not in use.



8581543-01