

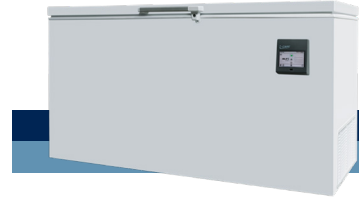


ULTF-C383i

CHEST ULT FREEZER

The chest design is an economical choice, that preserves cold well due to the horizontal lid.

-20°C
-86°C



DIMENSIONS		VALUE
Outer Dimensions HxWxD		831x1560x608
Inner Dimensions HxWxD		624x1400x440
Weight Gross/Net, kg		112 / 86
Material inner cabinet		Painted Steel
Material outer cabinet		Painted Steel
Insulation thickness		80
Insulation type		Polyurethane with Cyclopentane
Mobility		Standard: 4 castors with brakes
Refrigerant, Type / gram		Nature R2 / 161
Variable Speed Compressor		No
Internal Air Distribution		Static
Number of probes		1
CONTROLLER		VALUE
Controller		i-Care, Touch screen
Controller language		EN, DE, FR
USB Connection		Yes
Logging		Data, Alarms & Events
Temperature graph		Yes
High/Low temp. Alarm		Yes
Open door alarm		No
Probe failure alarm		Yes
Power failure alarm		Yes
STORAGE		VALUE
Volume, Gross/Net, L		383 / 638
Cryobox "2 capacity		282
2 ml vials capacity		28.200
Inner lids		Yes
FEATURES		VALUE
Lock		Yes
LED light		No
Battery Backup for Controller, 24h		Yes
VIP (Vacuum Insulated Panel)		No
Perimeter Heater		No
Porthole		Yes - Ø 12,5 mm
Dry Contact		Yes
Vacuum valve		No
Door		Solid



BIOMEDICAL

ULTF-C383i

CHEST ULT FREEZER

The chest design is an economical choice, that preserves cold well due to the horizontal lid.

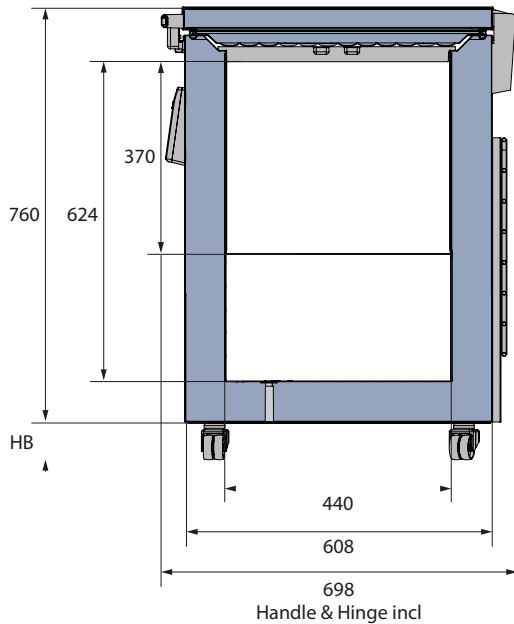
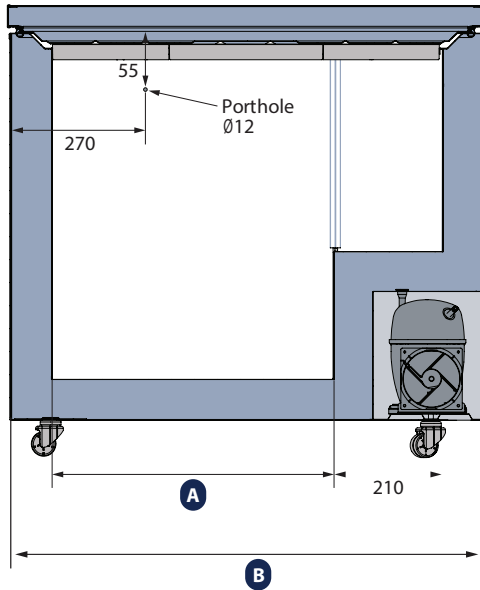
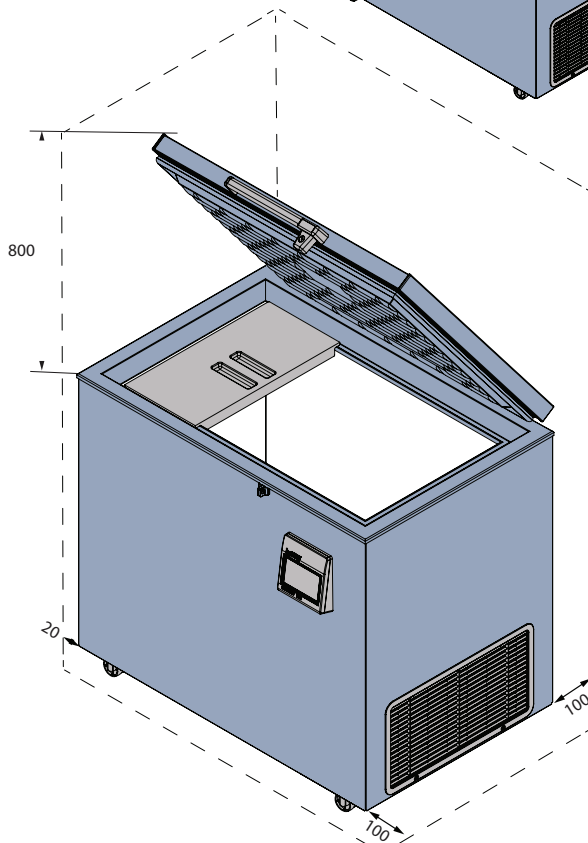
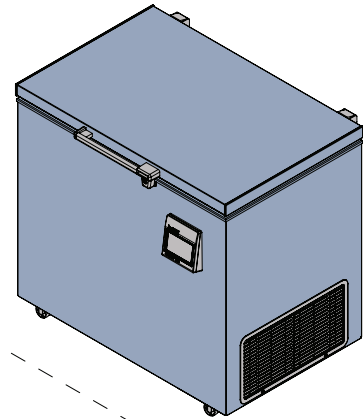
PERFORMANCE	UNIT	VALUE
All data in RT20°C		
Temperature Range	°C	-20 to -86
Uniformity in performance - difference between top and bottom	°C	+/- 1,1
Pull down time	Minutes	138min to -75°C
Hold over time	Minutes	69 min to -60°C
Noise	dB	55
Energy Saving Mode	kWh/24h	7,424 kWh/24h Set -70
Energy 24 hours	kWh/24h	9,957 kWh/24h Set -82
Energy year	kWh/year	3634,3 kWh/y Set -82°C
Instant Power Consumption	kW	PD 0,810-0,600/Stable 0,532
Heat Rejection	W	670
U-Value	W/m ² K	0,2
COOLING COMPONENTS		VALUE
Refrigerant/Amount (gram)		Nature R 2/161gr
Number of compressors	pcs	1
Varibel speed compressor	Yes/No	No
Internal air distribution (type of)		Static
Evaporator Fan	Yes/No/Variable	No
Condenser Fan	Yes/No/Variable	Yes
Number of probes	pcs	1
Defrost	Yes/No	No



ULTF-C383i

CHEST ULT FREEZER

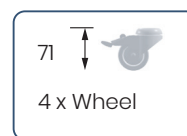
The chest design is an economical choice, that preserves cold well due to the horizontal lid.



MODEL	A	B
ULTF-C198i	550	920
ULTF-C296i	890	1260
ULTF-C383i	1190	1560

All measurements in mm.

HB: Height of base
(HB is adjustable when given value is xx-xx)



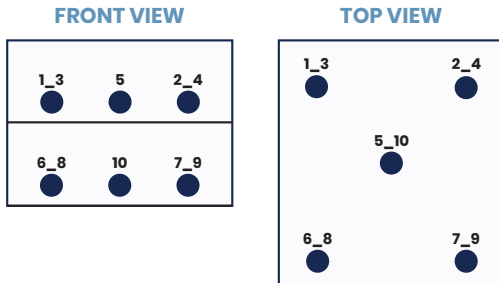


ULTF-C383i

CHEST ULT FREEZER

The chest design is an economical choice, that preserves cold well due to the horizontal lid.

SENSOR POSITION



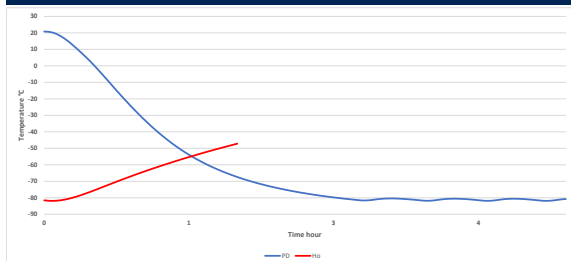
MODEL ULTF-C383i

Test type	10-point test
Test environment	Controlled conditions, empty cabinet
Ambient temperature	20°C
Humidity	60%
Set-point	-82°C
Sensor used	25gr tinned brass formed as a cylinder with a diameter of 15,2 mm
Installation	Appliance installed according to instruction manual conditions
Refrigerant	Nature R 2

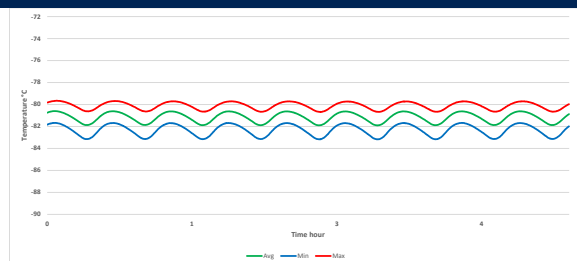
SENSOR TEMPERATURE

Sensor position	P1	P2	P3	P4	P5	P6	P7	P8	P9	P10
Max	-80,9	-81,5	-81,7	-80	-80,3	-79,9	-79,7	-80,7	-81,7	-80,8
Avg.	-81,5	-82,2	-82,3	-80,8	-80,8	-80,4	-80,1	-81,2	-81,7	-80,8
Min.	-82,3	-83	-83,2	-81,6	-81,5	-81	-80,7	-81,8	-82,5	-81,6

WARM UP & PULL DOWN



CYCLIC OPERATION



TYPICAL PERFORMANCE IN AMBIENT 20°C - EMPTY CABINET

Avg. cabinet temperature	-81,2°C
Peak variation from set-point	+/- 1,1°C
Stability in avg.	0,6°C
1 min. door open recovery to -75°C avg. temperature	<1 min.
Cycle rate on/off	25 / 7 min.
Duty cycle	75%
Energy consumption - Normal mode	9,95 kWh/day
Energy consumption - Energy saving mode	7,42 kWh/day
Pull down time to -75°C avg. temperature	138 min.
Hold over time from -82°C to -60°C	69 min.
Heat rejection	670 W